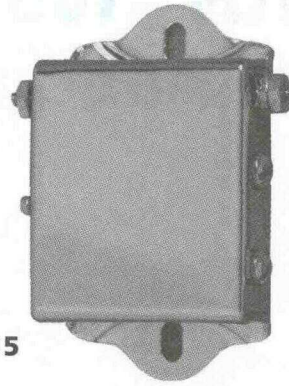


# Edwards® 15 Series Miniature Lungen™ Buzzer



Cat. No. 15

## Features

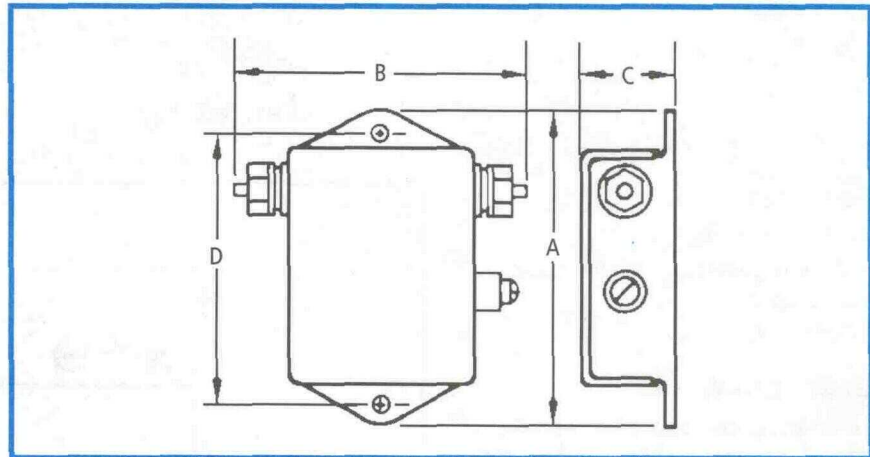
- Adjustable volume
- Chrome cover; zinc plated base
- AC and DC types

## Description

Compact, dependable buzzer designed for long life and trouble-free installations.

## Applications

For installation in commercial buildings, offices, and OEM applications.



Cat. No.	Volts	Amps	VA	DC Coil Res. (Ohms)	dB at 3 ft (.91m)	A	B	C	D
15-0AJ	3-8VDC	0.2	1.2	10	71.5	1 5/8" (41mm)	1 11/32" (37mm)	1/2" (13mm)	1 13/32" (36mm)
	6-10VAC	0.3	2.4	10					
15-0G1	24VDC	0.1	2.4	120	74	2 1/8" (54mm)	1 13/16" (46mm)	19/32" (15mm)	1 53/64" (46mm)
15-0G5	24VAC	0.2	4.8	85					
15-1AB	5-10VDC	0.3	2	8	75	2 5/8" (66mm)	2 3/8" (60mm)	15/16" (24mm)	2 3/32" (53mm)
	6-12VAC	0.45	3.5	8					
15-1E1	12VDC	0.2	2.4	20	80.5	3" (76mm)	2 1/2" (64mm)	7/8" (22mm)	2 3/8" (60mm)
15-1G1	24VDC	0.1	2.4	90					
15-1G5	24VAC	0.25	6	56					
15-2AB	5-10VDC	3.5	2	6	75	2 5/8" (66mm)	2 3/8" (60mm)	15/16" (24mm)	2 3/32" (53mm)
	6-12VAC	3.0	3	6					
15-2G1	24VDC	0.15	3.6	60					
15-2G5	24VAC	0.25	6	40					
15-3AB	5-10VDC	0.3	2	5	80.5	3" (76mm)	2 1/2" (64mm)	7/8" (22mm)	2 3/8" (60mm)
	6-12VAC	0.4	2.5	5					
15-3E1	12VDC	0.2	2.4	20					
15-3G1	24VDC	0.2	4.8	44					
15-3G5	24VAC	0.25	6	30					

LUNGEN is a trademark of Edwards.