

# Edwards® 5520 Series Duotronic® Electronic Horns and Sirens

## Features

- AC and DC Types Available
- May be Weatherproofed
- Horn or siren operation
- Solid-state

## Description

Low current, high performance, high decibel signal designed to function as either a horn or siren by setting an internal, tamper proof switch. Signal may be coded or used as a continuous alarm.

## Agency Approvals

- UL Listed
- FM Approved

## Specifications

- Speaker swivels 180° horizontally and 90° vertically
- Maintenance free
- Metallic gray finish
- Horn frequency - 1.1KHz
- Siren frequency - rises and falls from 600 to 1300 Hz every 3 seconds

## Installation

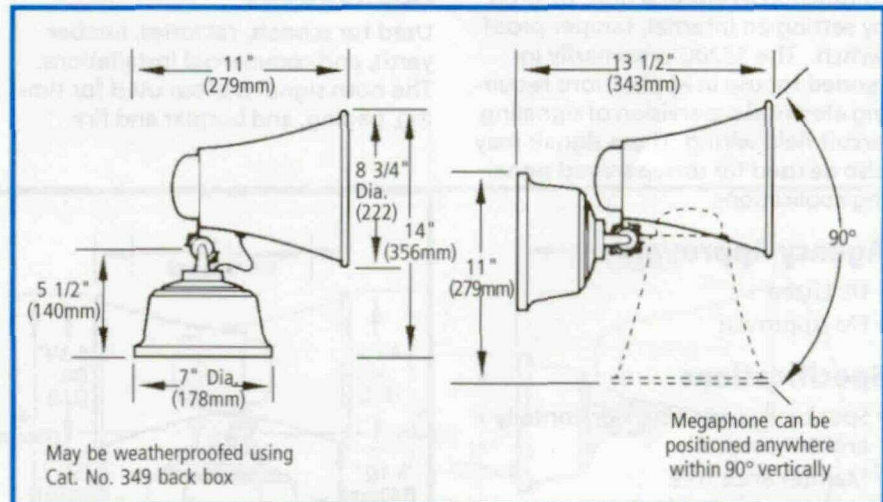
The signal's universal Adaptaplate® mounts directly on walls, or on any single-gang opening. It also mounts to 3 1/4" (83mm), 3 1/2" (89mm), 4" (102mm) octagon, 4" (102mm) square boxes, or equivalent fittings. The signal may be weatherproofed using the Edwards Cat. No. 349 back box (see page 5-8).

## Applications

Used for schools, factories, lumber yards, and commercial installations. The horn signal is often used for timing, paging, and alarms. The siren signal is used where a horn or bell sound is not acceptable. It is particularly suitable for high noise areas.



Cat. No. 5520



Cat. No.	Volts	Amps	VA	dB at 10 ft.	
5520-AS	12V AC 60 Hz	1.3	15.6	114 (Horn)	
	12V DC	.7	8.4		
5520-AQ	24V AC 60 Hz	.85	20.4		112 (Siren)
	24V DC	.35	8.4		
5520-N5	120V AC 60 Hz	.35	42		
5520-P1	125V DC	.1	12.5		
5520-R5*	240V AC 60 Hz	.1	24.0		

\*Uses separately mounted 598Y Transformer.