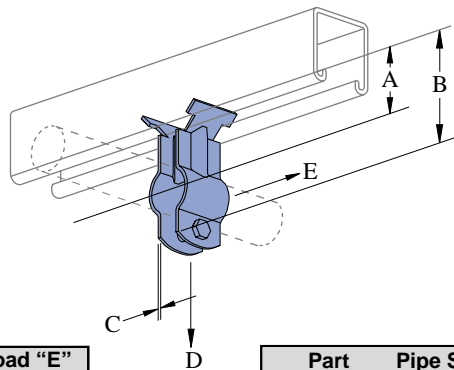


P3409 thru P3417

Stand-off Pipe Clamps



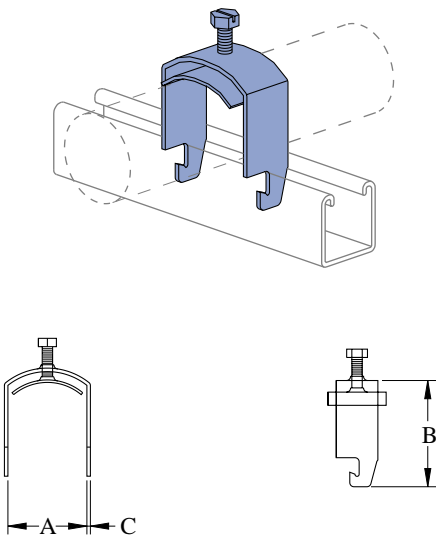
Hardware included.  
 Finish: Electro-galvanized.  
 Pipe Clamp 1¼" Wide  
 Patent No. 3417951.  
 Safety factor of 5

Part Number	Load "D" Lbs (kN)	Load "E" Lbs (kN)
P3409	100 45.4	25 11.3
P3411	150 68.0	35 15.9
P3412	175 79.4	40 18.1
P3413	200 90.7	50 22.7
P3414	300 136.1	70 31.8
P3415	400 181.4	80 36.3
P3417	500 226.8	120 54.4

Part Number	Pipe Size In	O.D. Size In (mm)	A In (mm)	B In (mm)	C Gauge (mm)	Wt/100 pcs Lbs (kg)
P3409	¾	0.675 17.1	1⅞ 28.6	2⅞ 54.0	14 1.9	14 6.4
P3411	½	0.840 21.3	1¼ 31.8	2⅝ 58.7	14 1.9	15 6.8
P3412	¾	1.050 26.7	1⅝ 33.3	2½ 63.5	14 1.9	19 8.6
P3413	1	1.315 33.4	1½ 38.1	2¾ 69.9	14 1.9	22 10.0
P3414	1¼	1.660 42.2	1⅞ 42.9	3¼ 82.6	12 2.7	34 15.4
P3415	1½	1.900 48.3	1¾ 44.5	3½ 88.9	11 3.0	49 22.2
P3417	2	2.375 60.3	2 50.8	4 101.6	10 3.4	55 24.9

M5025 thru M5060

One-piece Cable and Conduit Clamps



Part Number	Max O.D. Size In (mm)	"A" In (mm)	"B" In (mm)	"C" Gauge (mm)	Wt/100 pcs Lbs (kg)
M5025	¾ 9.5	7/16 11.1	1⅝ 41.3	14 1.9	6 2.7
M5026	½ 12.7	9/16 14.3	1¾ 44.5	14 1.9	7 3.2
M5028	¾ 19.1	13/16 20.6	2 50.8	14 1.9	12 5.4
M5030	1 25.4	1⅞ 27.0	2¼ 57.2	14 1.9	15 6.8
M5032	1¼ 31.8	1⅝ 33.3	2½ 63.5	14 1.9	19 8.6
M5034	1½ 38.1	1⅞ 39.7	2¾ 69.9	14 1.9	20 9.1
M5036	1¾ 44.5	1⅞ 46.0	3 76.2	12 2.7	25 11.3
M5038	2 50.8	2⅞ 52.4	3¼ 82.6	12 2.7	35 15.9
M5041	2⅝ 60.3	2⅞ 61.9	3⅝ 92.1	12 2.7	41 18.6
M5044	2¾ 69.9	2⅞ 71.4	4 101.6	12 2.7	60 27.2
M5048	3¼ 82.6	3⅞ 84.1	4½ 114.3	12 2.7	74 33.6
M5052	3¾ 95.3	3⅞ 96.8	5 127.0	12 2.7	91 41.3
M5054	4 101.6	4⅞ 103.2	5¼ 133.4	12 2.7	100 45.4
M5057	4⅝ 111.1	4⅞ 112.7	5⅝ 142.9	10 3.4	115 52.2
M5060	4¾ 120.7	4⅞ 122.2	6 152.4	10 3.4	125 56.7

Finish: Electro-galvanized and Aluminum.

15/8" Channel  
 Telesruct System  
 Nuts & Hardware  
 General Fittings  
 Pipe/Conduit Supports  
 Electrical Fittings  
 Concrete Inserts  
 1 1/2" Framing System  
 1 3/8" Framing System  
 Fiberglass System  
 Special Metals  
 PrimeAngle System  
 Product Index