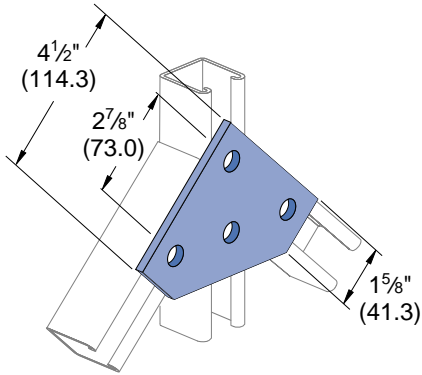




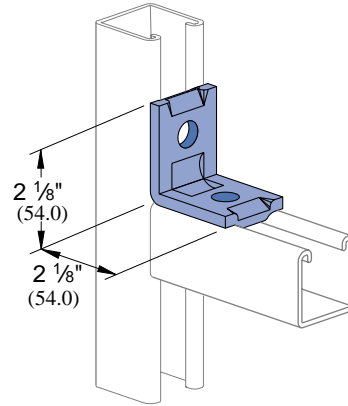
P1962

Wt/100 pcs: 112 Lbs (50.8 kg)



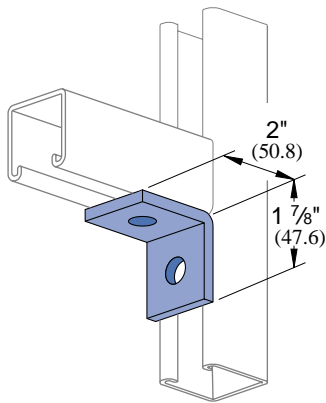
P2626

Wt/100 pcs: 40 Lbs (18.1 kg)



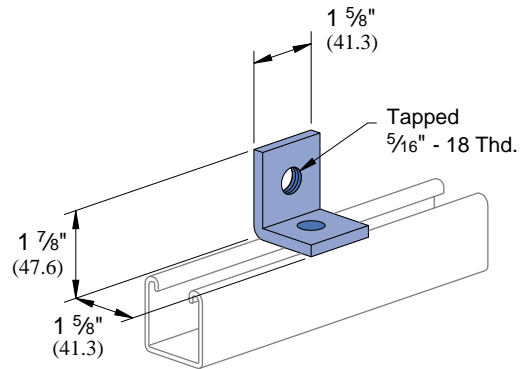
P1026

Wt/100 pcs: 38 Lbs (17.2 kg)



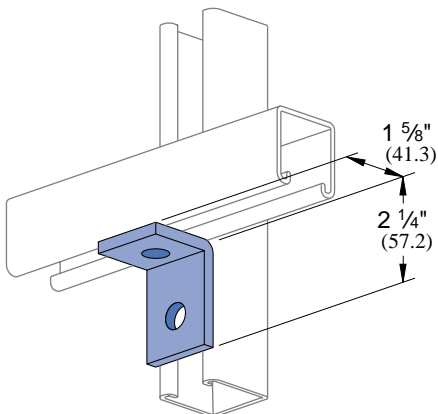
P1723

Wt/100 pcs: 34 Lbs (15.4 kg)

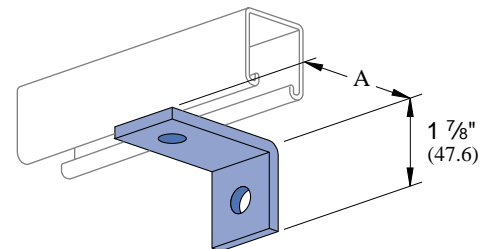


P1068

Wt/100 pcs: 38 Lbs (17.2 kg)



P1281, P1282, P1283



Part Number	"A" In (mm)	Wt/100 pcs Lbs (kg)
P1281	3	49
	76.2	22.2
P1282	3 1/2	54
	88.9	24.5
P1283	4	61
	101.6	27.7

Standard Dimensions for 1 5/8" (41 mm) width series channel fittings (Unless Otherwise Shown on Drawing)

Hole Diameter: 9/16" (14.3mm); **Hole Spacing - From End:** 13/16" (20.6 mm); **Hole Spacing - On Center:** 1 7/8" (47.6 mm); **Width:** 1 5/8" (41mm); **Thickness:** 1/4" (6.4mm)

1 5/8" Channel
 Telestrut System
 Nuts & Hardware
 General Fittings
 Pipe/Conduit Supports
 Electrical Fittings
 Concrete Inserts
 1 1/4" Framing System
 1 3/16" Framing System
 Fiberglass System
 Special Metals
 PrimeAngle System
 Product Index