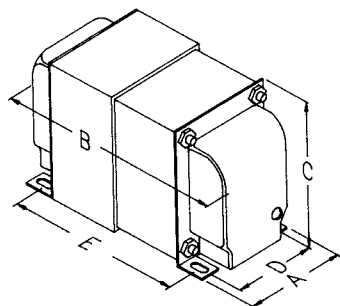


# "Auto" Step Up - Plug In (176 Series)



Line

## Autotransformer Step Up - Plug In (115V to 230V)

- Single winding, does not provide isolation, for use where equipment is already isolated and only voltage change is required.
- World wide applications, 50 or 60 Hz. operation, step up (115VAC to 230VAC).
- Input is circuit breaker protected.
- Hi-pot tested to 2 KV RMS
- Standard 3-wire, grounded plug (can also be used with adaptors for proper grounding).
- Input is connected to a 5 foot cord & standard grounded 125V North American plug (NEMA 5-15P)
- Output is connected to a grounded North American 250V receptacle (NEMA 6-15R).
- North American Mark of Safety - C UL & UL listed (File #E211544)
- **Remember** - These units do NOT convert line frequency.

Part No.	Capacity VA	Dimensions (Inches)					Wt. Lbs.
		A	B	C	D	E	
<b>176A</b>	120	3.16	4.25	3.81	2.50	2.94	3.5
<b>176B</b>	200	3.16	4.50	3.81	2.50	3.19	4.5
<b>176C</b>	300	3.16	5.00	3.81	2.50	3.69	6
<b>176D</b>	500	3.80	6.00	4.68	3.00	4.38	10
<b>176E</b>	750	3.80	7.06	4.68	3.00	5.38	14
<b>176F</b>	1000	3.80	7.06	4.68	3.00	5.38	14.5
<b>176G</b>	1500	4.40	6.63	5.39	3.50	6.09	22



### EUROPE

Basingstoke, UK 01256 812812

### AUSTRALIA

Queenstown, Australia 61-8-8240-2244

[www.hammondmfg.com](http://www.hammondmfg.com)



### CANADA

Guelph, Ontario (519) 822-2960  
St. Laurent, Quebec (514) 343-9010

### USA

Cheektowaga, NY (716) 630-7030

