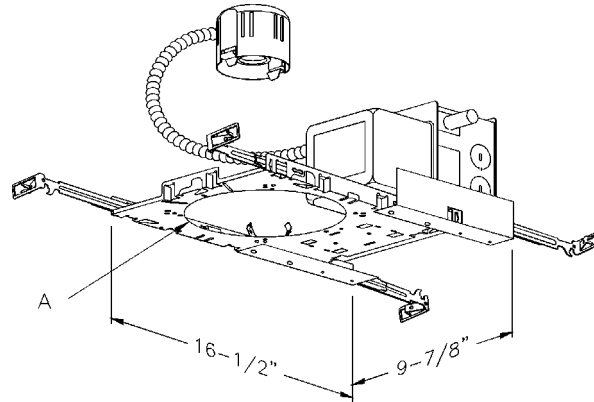


6 3/4" Aperture
HID Frame-In-Kit (Non-IC)
Metal-Halide / HPS

Lytecaster
Recessed Downlight

1102H



Complete fixture consists of Reflector Trim & Frame-in Kit. Select each separately

FRAME-IN-KIT	VOLT	ANSI CODE	LAMPS	INPUT WATTS	MAX. AMPS
1102H10H3X	120V	M90	100W M.H. Open type	130	2.60A
	277V				1.15A
	347V				1.00A
1102H70H3X	120V	M98	70W M.H. Open type	95	1.90A
	277V				0.85A
	347V				0.65A
1102H10H3Y	120V	M90	100W M.H. Enclosed type	130	2.60A
	277V				1.15A
	347V				1.00A
1102H70H3Y	120V	M98	70W M.H. Enclosed type	95	1.90A
	277V				0.85A
	347V				0.65A
1102H70S3Y	120V	S62	70W H.P.S.	94	1.45A
	277V				0.65A
	347V				0.55A
1102H10S3Y	120V	S54	100W H.P.S.	128	2.20A
	277V				0.95A
	347V				0.70A

Features

Mounting Frame : .036" galvanized steel. Accommodates all ceilings up to 1" thick. Four slots are positioned 90° apart to simplify alignment.

Rotoclips : Easy reflector trim installation. Push-in / twist-out Rotoclips hold reflector flush to ceiling.

Mounting Bars : (4) 18 ga. galvanized steel. 13" long bars extend to 27" , rotatable and lockable, integral t-bar tabs. Spike detail eliminates the need of additional nailing. Attaches to wood joist or T-bar without need of accessories.

Mounting Bars Locking Clip : (1) locks mounting bars in place.

Additional clips are sold separately (0098 set of 12)

Snap-on Socket Cup : .030" deep-draw galvanized steel. Adjustable to accommodate different lamps. Unitized optics assures accurate lamp positioning.

Socket : Porcelain medium base, heavy duty 4KV pulse rated nickel plated screw shell. Pre-wired with #18 ga. SEW leads to junction box.

X = Extended pulse rated socket for open reflector lamp

Y = Standard pulse rated socket for enclosed reflector lamp or PAR lamps

Junction box : 16 ga. steel, CSA certified for through branch circuit wiring with maximum of (8) No. 12, 90°C conductors.

Ballast Assembly : Splice box is fastened to ballast and 16 ga. ballast plate to form one complete assembly. Ballast is mounted on snap-off cover which is accessible from below without tools for inspection and maintenance.

Magnetic Ballast : Triple tap 120/277/347V, High Power Factor enclosed and filled with a special thermally conductive insulation material. (Class B sound rated)

Accessories

Mounting Bars Extenders : 1964

20" long (set of 2)

Mounting Bar Locking Clips : 0098

To lock mounting bars in place after installation. Set of 12.

Reflector Trim

Accepts very limited Lytecaster trims : see Reflector Trim specification sheets.

Labels : CSA

Damp or Wet location rated depending on Trim used.

WE RESERVE THE RIGHT TO CHANGE DETAILS OF DESIGN, MATERIALS AND FINISH, IN ANY WAY THAT WILL NOT ALTER INSTALLED APPEARANCE OR REDUCE FUNCTION AND PERFORMANCE.

Lightolier CFI, 3015 Louis Amos Lachine, (Quebec) H8T 1C4

LIGHTOLIER®