

EE/FF SERIES RS/SL

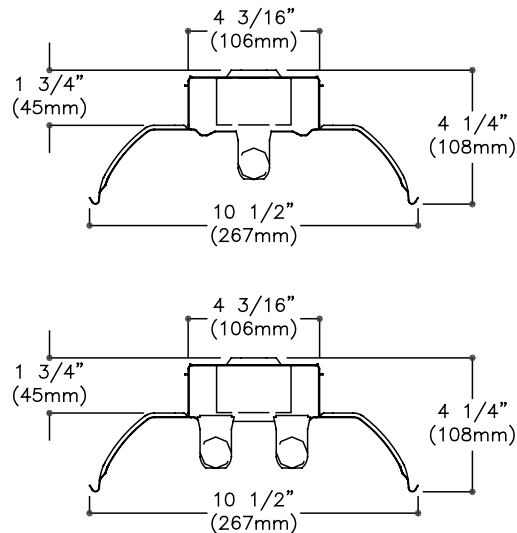
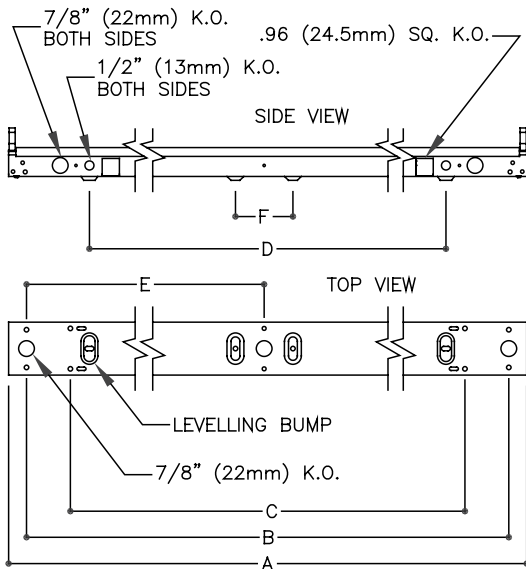
OPEN INDUSTRIAL RS OR SL 48", 96" LENGTHS 1 OR 2 LAMP IN A LUMINAIRE CROSS-SECTION RAPID START OR SLIMLINE

Features

- Reflector is embossed for rigidity
- Reflector sides are turned up for rigidity and safe handling
- Solid top reflector, standard
- 10% aperture reflector, optional
- 4-1/4" wide housing channel
- Fully enclosed wiring
- Combination end cap for continuous row mounting.
- Convenience outlet and switch K.O.s provided
- Optional hangers, wire guards and aligners.
- Optional heavy duty coupling.

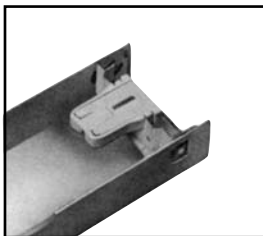


Dimensions

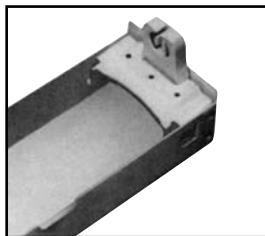


Nom. Length	A	B	C	D	E	F
96"	96" (2438mm)	93 15/16" (2386mm)	89 1/16" (2262mm)	86 15/16" (2208mm)	47" (1194)	3 3/16" (81mm)
48"	48" (1219mm)	45 15/16" (1167mm)	41 1/16" (1043mm)	38 15/16" (989mm)	23" (584mm)	3 3/16" (81mm)

Mounting Methods/Features



Flipstrip - shipping position



Flipstrip - shipping position

Job Information

Type:

Job Name:

Cat. No.:

Lamp(s):

Volts/Ballast:

C.F.I. FLUORESCENT A CANLYTE BRAND
525 EDUCATION ROAD, CORNWALL, ONTARIO, CANADA K6H 6C7 - (613) 938-6221
WE RESERVE THE RIGHT TO CHANGE DETAILS OF DESIGN, MATERIALS AND FINISH.
© 2006 CANLYTE INC.
A0902
www.canlyte.com

FI-0100-06

C.F.I.
FLUORESCENT

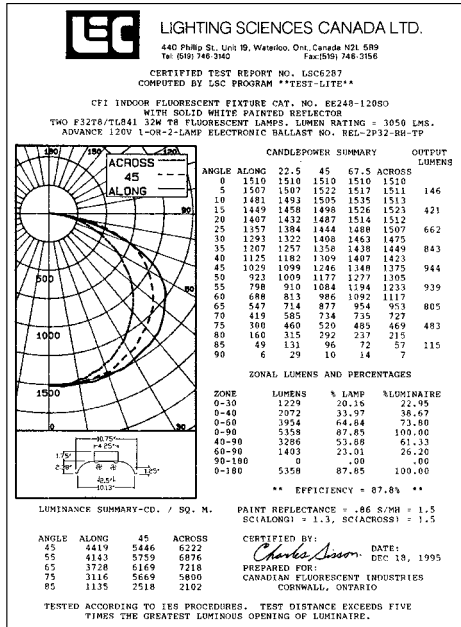
EE/FF SERIES RS/SL

OPEN INDUSTRIAL RS OR SL 48", 96" LENGTHS

1 OR 2 LAMP IN A LUMINAIRE CROSS-SECTION RAPID START OR SLIMLINE

PHOTOMETRY

MODEL NO. EE248-120SO



LIGHTING SCIENCES CANADA LTD.
440 PHILLIP ST. UNIT 19
WATERLOO, ONTARIO CANADA N2L 5R9
CERTIFIED TEST REPORT NO. LSC6287
COMPUTED BY LSC PROGRAM **TEST-LITE**

CFI INDOOR FLUORESCENT FIXTURE CAT. NO. EE248-120SO
WITH SOLID WHITE PAINTED REFLECTOR
TWO F32T8/TL841 32W T8 FLUORESCENT LAMPS, LUMEN RATING = 3050 LMS.
ADVANCE 120V 1-OR-2-LAMP ELECTRONIC BALLAST NO. REL-2P32-SH-TP

COEFFICIENTS OF UTILIZATION

ZONAL CAVITY METHOD

EFFECTIVE FLOOR CAVITY REFLECTANCE = .20




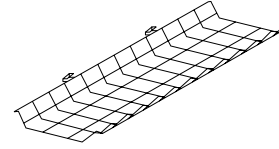


CC WALL	80	70	50	30	10	0												
RCR	70	50	30	10	50	30	10	50	30	10	50	30	10	0				
0	1.051	.051	.051	.051	1.021	.021	.021	.021	.98	.98	.98	.93	.93	.93	.90	.90	.90	.88
1	.96	.91	.88	.84	.93	.89	.86	.83	.86	.83	.80	.82	.80	.78	.79	.77	.75	.74
2	.87	.79	.73	.68	.84	.78	.72	.67	.74	.70	.66	.72	.68	.64	.69	.66	.63	.61
3	.79	.69	.62	.56	.77	.68	.61	.56	.66	.60	.55	.63	.58	.54	.61	.57	.53	.51
4	.72	.61	.53	.47	.70	.60	.53	.47	.58	.51	.46	.56	.50	.46	.54	.49	.45	.43
5	.65	.54	.45	.39	.63	.53	.45	.39	.51	.44	.39	.49	.43	.38	.47	.42	.38	.36
6	.60	.48	.40	.34	.58	.47	.39	.33	.45	.38	.33	.44	.37	.33	.42	.37	.32	.31
7	.55	.43	.35	.29	.53	.42	.34	.29	.40	.33	.29	.39	.33	.28	.36	.32	.28	.26
8	.50	.38	.30	.25	.49	.37	.30	.25	.36	.29	.25	.35	.29	.24	.34	.28	.24	.22
9	.46	.34	.26	.21	.45	.34	.26	.21	.32	.26	.21	.31	.25	.21	.30	.25	.21	.19
10	.43	.31	.23	.19	.42	.30	.23	.19	.29	.23	.18	.29	.22	.18	.28	.22	.18	.17

DETERMINED IN ACCORDANCE WITH CURRENT IES PUBLISHED PROCEDURES
LUMINAIRE INPUT WATTS = 55.5
LABORATORY RESULT MAY NOT BE REPRESENTATIVE OF FIELD PERFORMANCE.
BALLAST FACTORS HAVE NOT BEEN APPLIED.

Ordering Information Explanation of Catalogue Number Example: EE248-120SO

EE	2	48	—	120	SO	□
OPEN INDUSTRIAL: Flat reflector 4-1/2" wide X 1-5/8" deep channel EE=Solid Top Reflector (standard) FF=10% up-light Reflector	NUMBER OF LAMPS IN A LUMINAIRE CROSS-SECTION: 1 2	LAMP/FIXTURE LENGTH/WATT: 48=nominal 48" 32W T8 or 34W T12 48T=nominal 96" 32W T8 or 34W T12 (tandem) 96S=nominal 96" 59W T8 SL or 75W T12 SL		VOLTAGE: 120, 277 347	BALLAST TYPE: Mag. T12 cold weather 1 or 2 Lamp Elect. T8 Elect. T8 cold weather 4 Lamp Elect. T8 LOL dimming T8 Elect. * Not available for SL	OPTIONS: Add appropriate suffix to catalog no.

OPTIONS/ACCESSORIES

 <p>STEM AND CANOPY SETS Suspends luminaire 12", 18", 24", 36", 48" from surface and can be used in conjunction with Heavy Duty Slide Grip Hanger. Catalogue Number: STKF12 (12"), STKF18 (18"), STKF24 (24"), STKF36 (36"), STKF48 (48").</p>	 <p>CANOPY SPACER (1-1/2") Suspends luminaire approximately 1-1/2" from surface. Catalogue Number: STSK</p>	 <p>CHAIN HANGER KIT Two 24" heavy duty link chains with sturdy "V" hooks that grip luminaires at four knockout points for level suspension. Catalogue Number: EE9HC</p>	 <p>WIRE GUARDS Hinge and latch positive-lock construction, complete with longitudinal and transverse struts for secure protection. Cat. Number EE9G4</p>	 <p>TWIST TEE HANGER For installation of 4-1/2" wide (channel) luminaire on exposed "T" grid ceilings or hard surfaces. Provides 1-1/2" clearance from surface. Catalogue Number: EE9H1</p>
 <p>REFLECTOR ROW ALIGNERS Tough, plastic aligners for luminaire reflectors. Catalogue Number: EE9RA</p>		<p>BALLAST OPTIONS: For other ballast options, consult ballast specification sheet (folio BA-1-02)</p>		

SPECIFICATIONS

MATERIALS: Chassis parts are die-formed code gauge cold rolled steel, 1-3/4" deep X 4-1/4" wide channel.
REFLECTOR: Heavy duty die-formed with deep lateral embossments and return edges for additional stability and uniformity and two quick release quarter turn edges for additional stability and uniformity and two quick release quarter turn fastener for attachment to housing.
FINISH: Chassis baked polyester white enamel. Phosphate undercoating. Reflector-baked white polyester enamel minimum 85% reflectance.
ELECTRICAL: Rapid start HPF, thermally protected class "P" ballast C.B.M. certified by E.T.L. If K.O. is within 3" of ballast, use wire suitable for at least 90".
LABELS: Listed by CSA.

Job Information

Type:

C.F.I. FLUORESCENT A CANLYTE BRAND
525 EDUCATION ROAD, CORNWALL, ONTARIO, CANADA K6H 6C7 - (613) 938-6221
WE RESERVE THE RIGHT TO CHANGE DETAILS OF DESIGN, MATERIALS AND FINISH.
© 2006 CANLYTE INC.
A0902
www.canlyte.com

CFI FLUORESCENT