

Reference Data	
Lumen Output	2722 lm
Input Watts	30.4W
Efficacy	90.7 lm/W
Colour Temp	4000K
CRI	84.4
Spacing Ratio	1.2

Application Data*			
Luminaire Spacing	FC	W/Sq Ft	
<i>50' x 70' x 8.5' space</i>			
8' x 8' (64 sq ft/luminaire)	37	0.47	
8' x 10' (80 sq ft/luminaire)	29	0.36	
<i>12' x 16' x 8.5' space</i>			
6' x 8' (48 sq ft/luminaire)	35	0.63	

Ordering Guide				
Type	Luminaire Size	Colour Temp	Nominal Lumens	Exposed T-Grid
Static	2' x 2'	4000K	2500 lm	SPS22GFSVA25A40
Static	2' x 2'	3500K	2500 lm	SPS22GFSVA25A35

SPS22GFSVA25A40

U

LAG

Basic Catalogue Number:
Static Recessed Lens LED Troffer

Voltage:
U: 120-277V
3: 347V

Driver:
See p. 102

Reference Data	
Lumen Output	3362 lm
Input Watts	38.4W
Efficacy	87.6 lm/W
Colour Temp	4000K
CRI	84.4
Spacing Ratio	1.2

Application Data*			
Luminaire Spacing	FC	W/Sq Ft	
<i>50' x 70' x 8.5' space</i>			
8' x 8' (64 sq ft/luminaire)	41	0.53	
8' x 10' (80 sq ft/luminaire)	36	0.46	
<i>12' x 16' x 8.5' space</i>			
6' x 8' (48 sq ft/luminaire)	43	0.8	

Ordering Guide				
Type	Luminaire Size	Colour Temp	Nominal Lumens	Exposed T-Grid
Static	2' x 2'	4000K	3300 lm	SPS22GFSVA33A40
Static	2' x 2'	3500K	3300 lm	SPS22GFSVA33A35

SPS22GFSVA33A40

U

LAG

Basic Catalogue Number

Voltage

Driver

Reference Data	
Lumen Output	3841 lm
Input Watts	44.9W
Efficacy	85.5 lm/W
Colour Temp	4000K
CRI	84.4
Spacing Ratio	1.2

Application Data*			
Luminaire Spacing	FC	W/Sq Ft	
<i>50' x 70' x 8.5' space</i>			
8' x 8' (64 sq ft/luminaire)	53	0.69	
8' x 10' (80 sq ft/luminaire)	36	0.46	
<i>12' x 16' x 8.5' space</i>			
6' x 8' (48 sq ft/luminaire)	49	0.94	
<i>8' x 8' x 8.5' Cubicle/60" Partition</i>			
8' x 8' (64 sq ft/luminaire)	27	0.7	

Ordering Guide				
Type	Luminaire Size	Colour Temp	Nominal Lumens	Exposed T-Grid
Static	2' x 2'	4000K	3800 lm	SPS22GFSVA38A40
Static	2' x 2'	3500K	3800 lm	SPS22GFSVA38A35

SPS22GFSVA38A40

U

LAG

Basic Catalogue Number

Voltage

Driver

Reference Data	
Lumen Output	4397 lm
Input Watts	53W
Efficacy	83.3 lm/W
Colour Temp	4000K
CRI	84.4
Spacing Ratio	1.2

Application Data*			
Luminaire Spacing	FC	W/Sq Ft	
<i>50' x 70' x 8.5' space</i>			
8' x 8' (64 sq ft/luminaire)	61	0.81	
8' x 10' (80 sq ft/luminaire)	47	0.63	
10' x 10' (100 sq ft/luminaire)	39	0.53	
<i>12' x 16' x 8.5' space</i>			
6' x 8' (48 sq ft/luminaire)	56	1.1	
<i>8' x 8' x 8.5' Cubicle/60" Partition</i>			
8' x 8' (64 sq ft/luminaire)	27	0.7	

Ordering Guide				
Type	Luminaire Size	Colour Temp	Nominal Lumens	Exposed T-Grid
Static	2' x 2'	4000K	4200 lm	SPS22GFSVA42A40
Static	2' x 2'	3500K	4200 lm	SPS22GFSVA42A35

SPS22GFSVA42A40

U

LAG

Basic Catalogue Number

Voltage

Driver

*Average Footcandles maintained Total LLF = .85 Reflectance 80% Ceiling, 50% Wall, 20% Floor. All photometric data determined in accordance with current IES published procedures LM-79.



Enter the era of the green office easily with the SpecPlus LP LED. Save energy and reduce maintenance costs without compromising lighting quality. An optimized optical system, combined with lens, shield LEDs from direct view and prevent pixilation—providing visual comfort.

Features

- 5" deep body
- LED array and driver accessible from below
- Integrated heat management system
- Long life LEDs provide 50,000 hours L₇₀
- Intelligent driver capable of providing various lumen outputs
- Excellent colour consistency
- Prismatic acrylic lens

Drywall Kit: For plaster frames, order Cat. No: **FK92X4**.

Driver: Specify voltage (UNV or 347V) and add suffix, e.g. **ULAG**.

LAG: Standard driver.

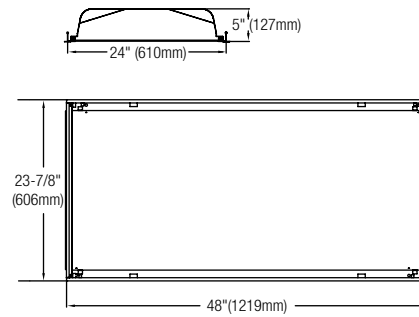
For dimming options, please consult your Canlyte representative.

Colour Temperature: For 3500K, replace **40** (4000K) by **35**.

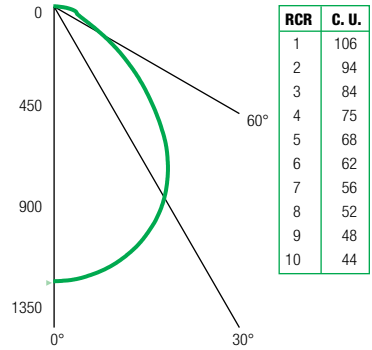
Special Lens: VA lens pattern 12 prismatic virgin acrylic is standard. For other available lenses, consult your Canlyte representative.

Door Option: FS Flat steel door is standard. For regressed aluminum door frame, replace **FS** by **RA**. For flush aluminum door frame, replace **FS** by **FA**.

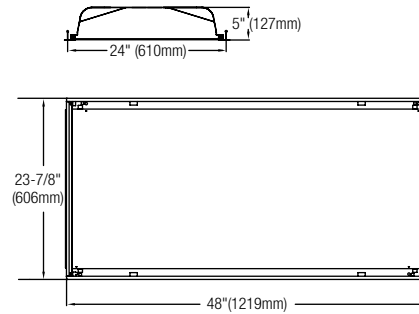
SPS LP-A LED 2' x 4'



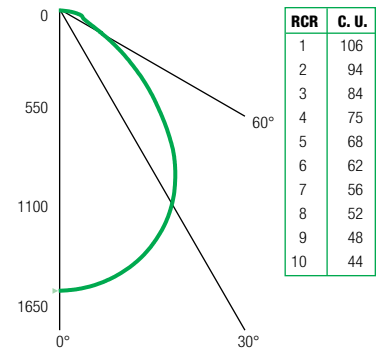
SPS24GFSVA26A40ULAG (Data)



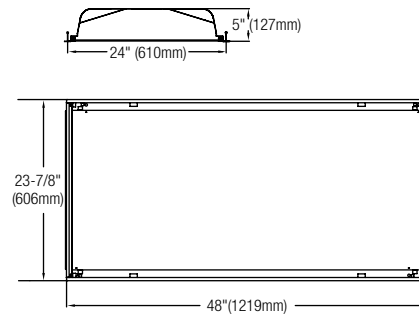
SPS LP-A LED 2' x 4'



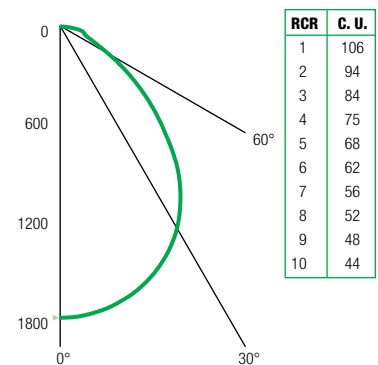
SPS24GFSVA33A40ULAG (Data)



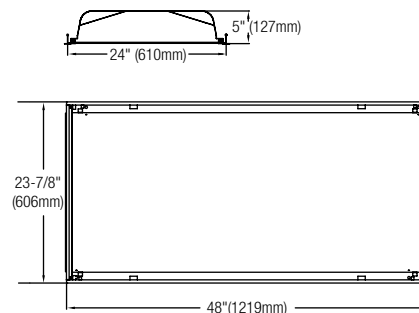
SPS LP-A LED 2' x 4'



SPS24GFSVA37A40ULAG (Data)



SPS LP-A LED 2' x 4'



SPS24GFSVA43A40ULAG (Data)

