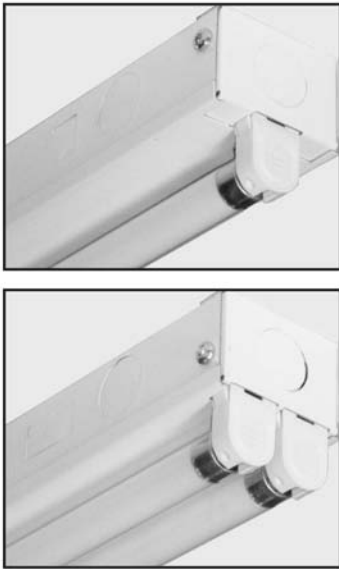


SV STRIP T5

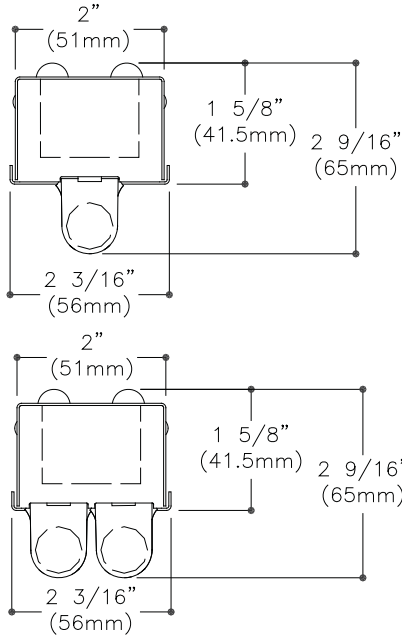
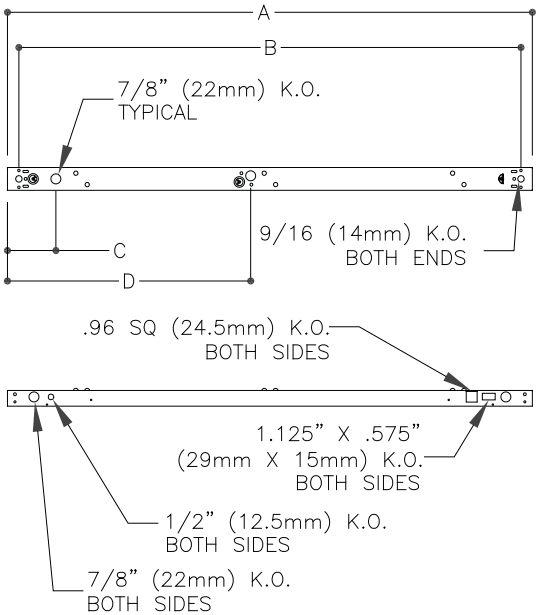
STRIP T5 2" WIDE 1 3/8" DEEP
22", 34", 46" and 92" LENGTHS 1 OR 2 LAMP, T5

Features

- Only 2" wide
- Utilizes compact, high efficiency, T5 or T5HO lamps
- Fully enclosed wiring
- Optional white or specular, symmetric and asymmetric reflector.
- Convenience outlet and switch K.O.s provided
- Push through lamp holders with rotor for secure lamp retention.
- Optional hangers and wires guards



Dimensions



Nom.Length	A	B	C	D
92"	92 1/4" (2343mm)	90 3/16" (2291mm)	4 1/4" (108mm)	44 7/16" (1129mm)
46"	46 1/8" (1172mm)	44 1/16" (1119mm)	4 1/4" (108mm)	21 3/8" (543mm)
34"	34 1/4" (870mm)	32 3/16" (818mm)	4 1/4" (108mm)	N/A
22"	22 7/16" (570mm)	20 3/8" (518mm)	4 1/4" (108mm)	N/A

Job Information	Type:
Job Name:	
Cat. No.:	
Lamp(s):	
Volts/Ballast:	

C.F.I. FLUORESCENT A CANLYTE BRAND
525 EDUCATION ROAD, CORNWALL, ONTARIO, CANADA K6H 6C7 - (613) 938-6221
WE RESERVE THE RIGHT TO CHANGE DETAILS OF DESIGN, MATERIALS AND FINISH.
© 2006 CANLYTE INC.
A0902
www.canlyte.com

R10-19

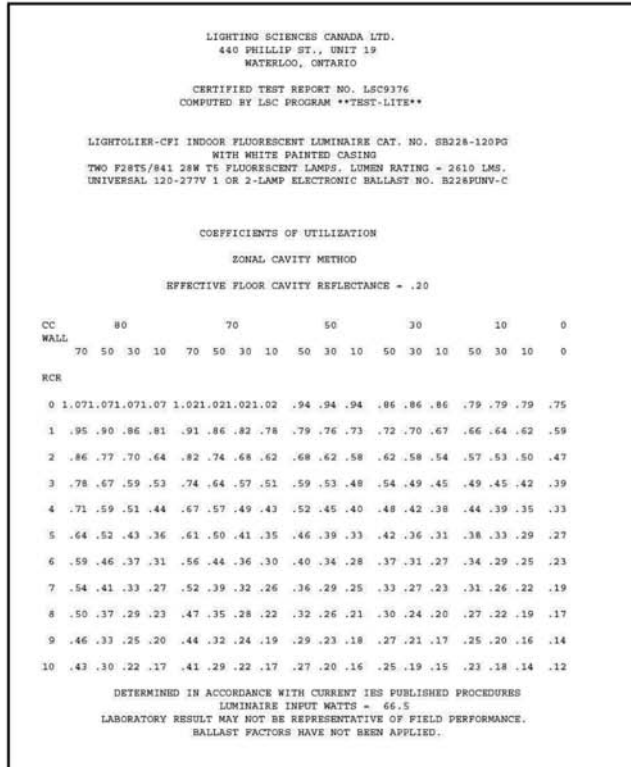
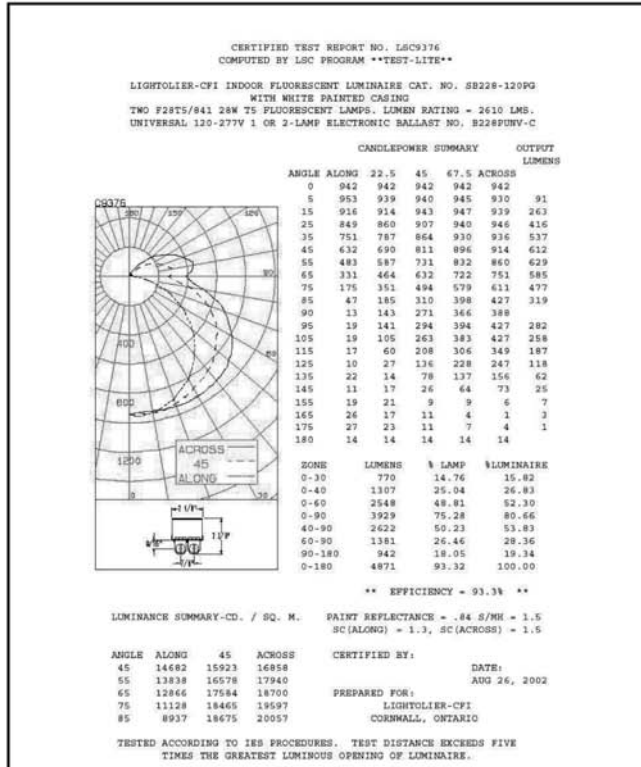
CFI
FLUORESCENT

SV STRIP T5

STRIP T5 2" WIDE 1 3/8" DEEP
22", 34", 46" and 92" LENGTHS 1 OR 2 LAMP, T5

PHOTOMETRY

MODEL NO. SV4S228120PI



Ordering Information Explanation of Catalogue Number Example: SV4S228-120PI

SV	4	S	2	28	120	PI	
STRIP Strip T5, 2" wide X 1 5/8" deep channel	NOMINAL FIXTURE LENGTH 2 = NOMINAL 22" 3 = NOMINAL 34" 4 = NOMINAL 46" 8 = NOMINAL 92"	CEILING TYPE S = Surface	LAMP QUANTITY IN A LUMINAIRE CROSS-SECTION 1 or 2	LAMP TYPE (NOMINAL 22") 14 = 14W T5 24 = 24W T5 HO (NOMINAL 34") 21 = 21W T5 39 = 39W T5 HO (NOMINAL 46") 28 = 28W T5 54 = 54W T5 HO	VOLTAGE UNV = 120/277V 120 = 120V 277 = 277V 347 = 347V	BALLAST TYPE PG = Electronic T5 Program Start PI = Electronic T5 Instant Start PF = T5 Power Spec Dimming* *Not available in 347V.	OPTIONS

OPTIONS/ACCESSORIES

STEM AND CANOPY SETS: Suspend luminaire 12", 18", 24", 36", or 48" from surface. (Two per luminaire is recommended. For 34" and 46" STB Strip only.) Catalogue number: SV5F12(12"); SV5F18(18"); SV5F24(24"); SV5F36(36"); SV5F48(48")

CHAIN HANGING KIT: Includes two 5' heavy duty link chains with sturdy "V" hook for fixture suspension. (34" and 46" STB Strip only.) Catalogue number: EE9HC

WIRE GUARD: Galvanized wire guard. Catalogue number: FOR SV STRIP T5 34": SV5GXG3
FOR SV STRIP T5 46": SV5GXG4

REFLECTORS: Consult specification sheet (folio FI-0560-03 and FI-0565-03)

ROCKER SWITCH: SUFFIX: H
CONVENIENCE OUTLET: SUFFIX: CO
BALLAST OPTIONS: For other ballast options, consult ballast specification sheet (folio BA-1-02)

SPECIFICATIONS

MATERIALS: Chassis parts are die-formed heavy gauge cold rolled steel, 1 5/8" deep x 2" channel width.

FINISH: Chassis exterior - phosphate undercoating, baked white acrylic matte high reflectance paint finish.

ELECTRICAL: HPF, thermally protected class "P" ballast. If K.O.s are within 3" of ballast use wire suitable for at least 90C.

LABELS: Listed by CSA.

Job Information

Type:

C.F.I. FLUORESCENT A CANLYTE BRAND
525 EDUCATION ROAD, CORNWALL, ONTARIO, CANADA K6H 6C7 - (613) 938-6221
WE RESERVE THE RIGHT TO CHANGE DETAILS OF DESIGN, MATERIALS AND FINISH.
© 2006 CANLYTE INC.
A0902
www.canlyte.com

R10-19

CFI FLUORESCENT