

# Wal-Lyter WLRN124120SB

Page 1 of 3

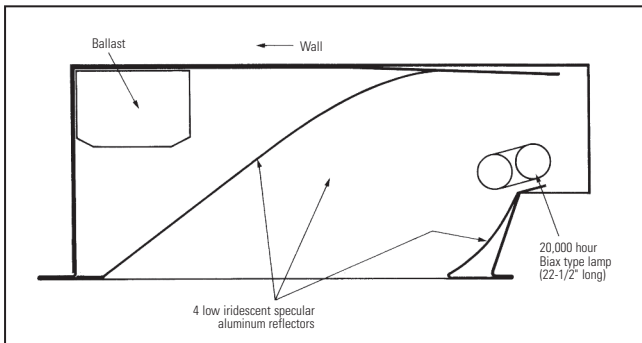
High Performance, 2', Recessed Wallwasher/Accent Light  
One Twin-Tube T5 Lamp

## Features

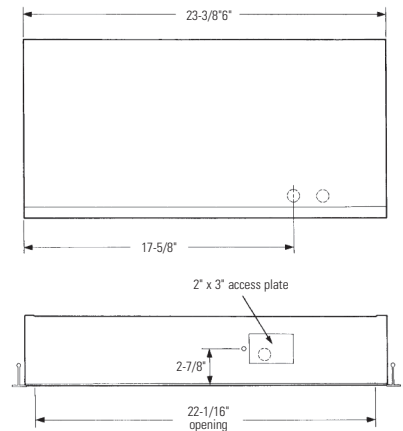
- Low iridescent specular reflective system for precise controlled light output.
- Evenly lights vertical surfaces or displays.
- 87% energy savings vs. incandescent.
- 3,150 lumen Biax type lamp requires fewer fixtures to provide the same wall illumination as a 150 watt incandescent wallwasher.
- 20,000 hours lamp life requires less maintenance than incandescent.
- Fits all lay-in grid ceiling systems.
- One-piece body and adjustable integral hanger for easy, quick installation.
- UL-Listed access plate.
- Meets NYC Code requirements.



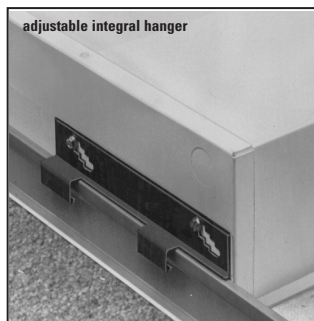
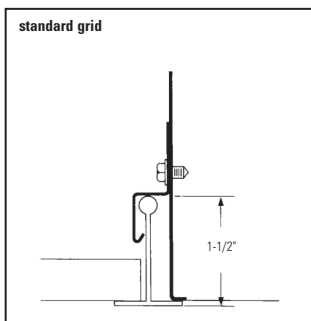
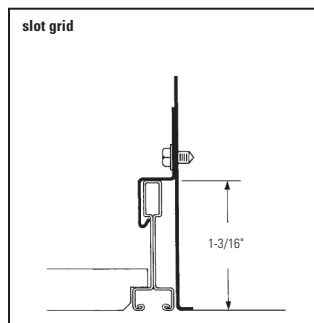
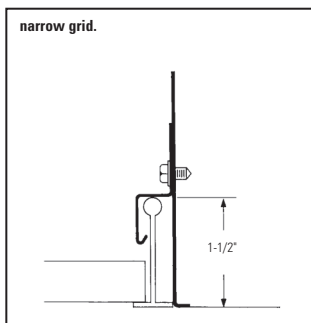
## Features



## Dimensions



## Mounting Methods



## Job Information Type:

Job Name:

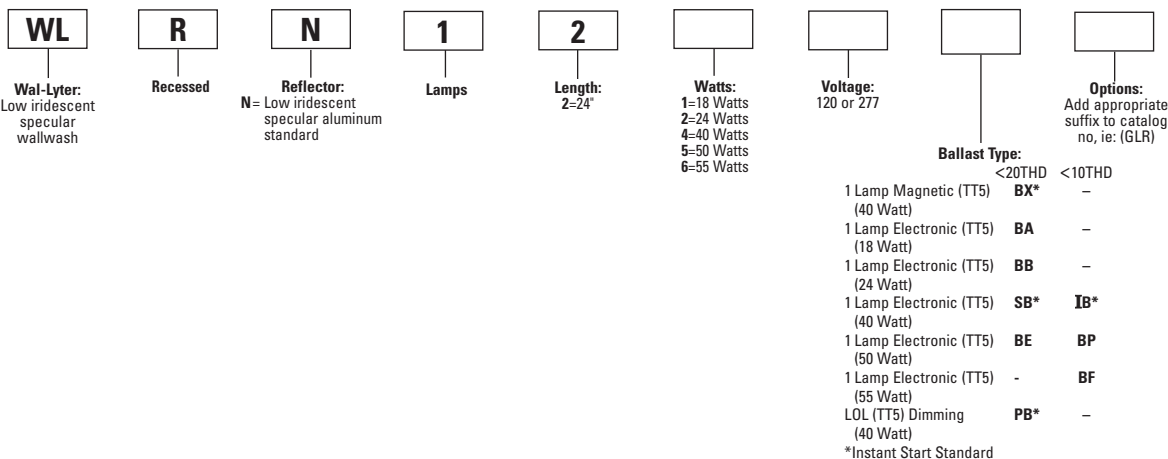
Cat. No.:

Lamp(s):

Volts/Ballast:

## Ordering Information

Explanation of Catalog Number. Example: WLRN124120SBGLR



## Options/Accessories

**Fusing:** Internal fast-blow fusing. Suffix: **A**.  
Internal slow-blow fusing. Suffix: **C**.

**Lens:** .187, pattern 19 lens. Catalog Number: **WLRKIT CSP**  
(to be field installed).

**Radio Interference Filter:** To order one RIF per fixture, Suffix: **R**.  
To order one RIF per ballast, Suffix: **B**.

**Electrical/Wiring Options:** Consult factory.

**Fluorescent Emergency Lighting System:** Factory-installed emergency power battery pack with charger and inverter. Suffix: **EM**.

**Drywall Frame:** Catalog Number: **WL2DF/UNV**.



optional drywall frame WL2DF/UNV.

## Specifications

**Materials:** Chassis parts are die-formed 20 gauge cold rolled steel with integral adjustable hanger clamp. **Reflectors**—low iridescent specular aluminum are standard.

**Finish:** Chassis exterior—phosphate undercoating, baked white acrylic enamel. **Reflector**—low iridescent specular IS standard.

**Lens:** Virgin acrylic .187 pattern 19 with square based male conical prisms (rotates for easy lamp replacement).

**Electrical:** Rapid start HPF, thermally protected class "P" ballast (Biax type). If K.O. is within 3" of ballast, use wire suitable for at least 90°.

**Labels:** I.B.E.W./UL and ULc Listed.

This product may have a mercury containing lamp. Manage in accord with Disposal Laws. See: [www.lamprecycle.org](http://www.lamprecycle.org)

**Job Information**

**Type:**

# Wal-Lyter WLRN124120SB

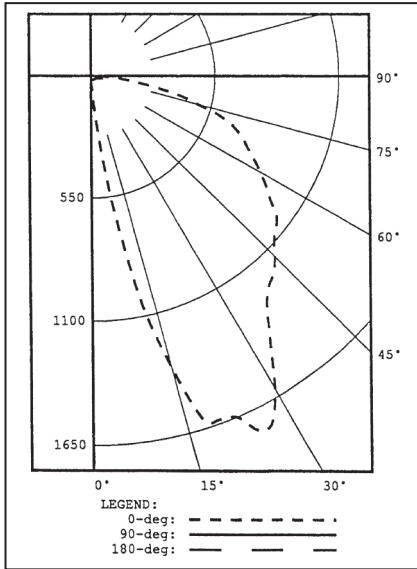
## High Performance, 2', Recessed Wallwasher/Accent Light One Twin Tube T5 Lamp

### Photometry

Model No. WLRN124120SB

LER = FP - 42.8 IW - 47 BF - 0.95

Comparative yearly lighting energy cost per 1000 lumens = \$5.61



#### coefficients of utilization — zonal cavity method

	20			30			40			
RF	20									
RC	50									
RW	70	50	30	50	30	10	50	30	10	
room cavity ratio	1	74	71	68	66	64	62	64	62	60
	2	67	61	57	58	54	51	55	52	49
	3	61	54	48	51	46	42	49	45	41
	4	56	47	41	49	39	35	43	38	35
	5	51	41	35	39	34	29	38	33	29
	6	46	37	30	35	29	25	33	29	25
	7	42	32	26	31	25	21	30	25	21
	8	39	29	23	27	22	18	26	22	18
	9	35	26	19	24	19	15	24	19	15
	10	33	23	17	22	17	13	21	16	13

### FOOTCANDLES ON WALL Fixtures 3 feet from wall to outside trim on lamp side of fixture

	INDIVIDUAL WAL-LYTER									MULTIPLE UNITS									CONTINUOUS ROW											
	0'	1'	2'	3'	4'	5'	6'	7'	8'	← 4' →			← 6' →			0'	1'	2'	3'	4'	5'	6'	7'	8'						
Ceiling	76	67	48	25	14	8	5	4	3	107	104	102	104	107	86	79	63	50	63	79	86	204	204	209	208	212	208	209	204	204
7'	64	68	48	29	17	10	7	5	4	102	104	106	104	102	78	75	67	58	67	75	78	201	203	208	208	212	208	208	203	201
6'	47	44	36	24	17	12	8	6	4	85	86	88	86	85	63	62	57	48	57	62	63	165	166	173	172	177	172	173	166	165
5'	33	34	29	24	14	10	8	6	5	66	74	74	74	66	49	50	48	48	48	50	49	132	142	140	148	145	148	140	142	132
4'	26	28	23	23	14	11	8	6	5	59	65	62	65	59	42	45	42	40	42	45	42	113	124	121	130	126	130	121	124	113
3'	19	21	29	17	12	9	8	6	5	48	53	56	53	48	35	36	37	34	37	36	35	96	100	104	106	109	106	104	100	96
2'	15	16	15	13	11	9	8	6	5	42	44	46	44	42	31	31	31	26	31	31	31	80	82	88	88	93	88	88	82	80
1'	13	12	11	11	10	8	7	6	5	38	37	36	37	38	27	26	26	22	26	26	27	67	68	74	74	79	74	74	68	67
Floor																														

### Job Information Type:



© 2013 Koninklijke Philips Electronics N.V. All rights reserved.  
Specifications are subject to change without notice.

WLRN124 03/13

Philips Lighting Company  
200 Franklin Square Drive  
Somerset, NJ 08873  
Phone: 855-486-2216

www.philips.com/luminaires

Philips Lighting Company  
281 Hillmount Road  
Markham ON, Canada L6C 2S3  
Phone: 800-668-9008