

# Bandit Series – Hazardous (HB)

## Features

- One-piece die-cast aluminum housing, finned for more effective heat dissipation. Die-cast aluminum lens frame, hinged for easy re-lamping, secured with four stainless steel screws. Standard finish is Duraplex II™ Bronze Electrostatic Powder coat.
- Lens is a clear, tempered, shock and heat resistant glass, silicone-gasketed to lens frame for weather-tight seal.
- Semi-specular anodized aluminum reflector for maximum utilization of lamp lumens. Hinged reflector design permits easy access to ballast for wiring and maintenance.
- Yoke Mount: Formed painted steel construction, with 180° of adjustability. 1/2" NPT threaded conduit entry for approved wiring devices (conduit supplied by others).
- Porcelain, 4 kV pulse rated, Mogul based lampholder with grip-type socket which prevents lamp loosening.
- EPA: Effective Projected Area = 1.7 ft<sup>2</sup> [0.16 m<sup>2</sup>]
- Hazardous (HB Bandit) approved for Class I, Div. 2. Groups A, B, C & D, enclosure Type 3. Some restrictions apply (consult factory).
- Comes with 3 year limited warranty.

## Temp. Codes

400W	MH	T1	384°C
400W	HPS	T1	352°C
250W	MH	T1	320°C
250W	HPS	T2A	298°C

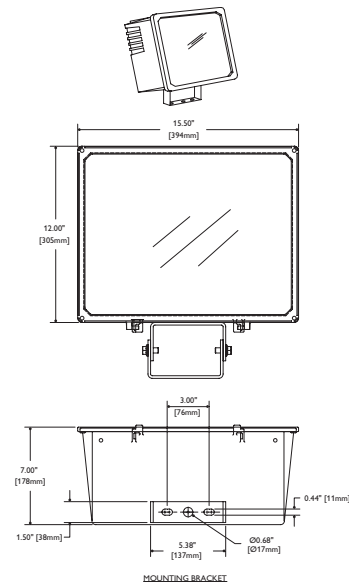
- CSA Approved for Wet Locations. Hazardous Rated



Available in 175 to 400W Metal Halide, 200 to 350W Pulse Start MH & 70 to 400W High Pressure Sodium



## Dimensions



## Job Information

## Type:

**Job Name:**

**Cat. No.:**

**Lamp(s):**

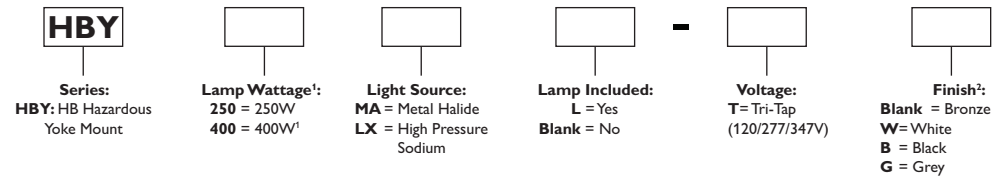
**Notes:**

# Bandit Series – Hazardous (HB)

Page 2 of 2

## Ordering information

Explanation of catalog number: Example: HBY400MAL-TW



1 MA (250, 400W); LX (250, 400W)

2 For other housing finishes, consult factory for available colours & colour codes.

**Job Information**

**Type:**



© 2013 Koninklijke Philips Electronics N.V. All rights reserved.  
Specifications are subject to change without notice.  
[www.philips.com/luminaires](http://www.philips.com/luminaires)

SD0561 05/13

Philips Lighting Company  
200 Franklin Square Drive  
Somerset, NJ 08873  
Phone: 855-486-2216

Philips Lighting Company  
281 Hillmount Road  
Markham ON, Canada L6C 2S3  
Phone: 800-668-9008