

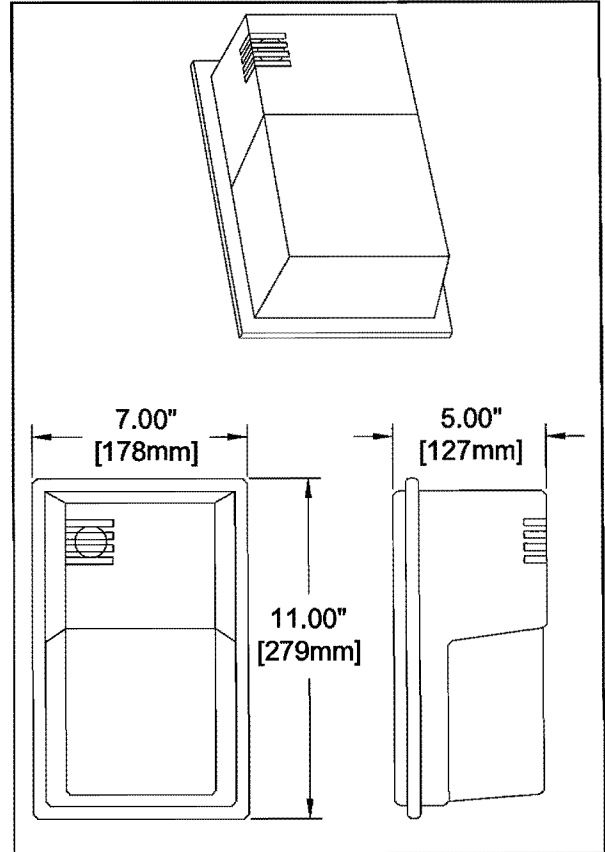


cUL Approved

Available in 35 to 70W High Pressure Sodium or 50W Metal Halide

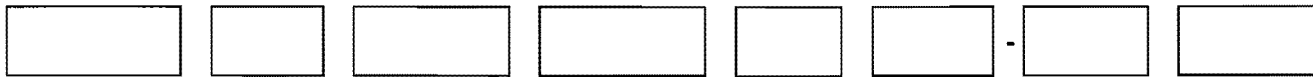
SPECIFICATIONS:

- Security, accent and perimeter lighting over entranceways, garages and alleys.
- Housing is constructed of durable, vandal resistant polycarbonate. Standard finish is Bronze.
- Optics constructed of non-yellowing, U.V. stabilized polycarbonate.
- Porcelain, 4 kV pulse-rated, grip-type Medium based socket lampholder prevents lamp loosening.
- All units supplied with clear, Medium based lamp, E17 for 35-70W HPS, or ED17 for 50W MH.
- Wall mounted applications.
- Comes with 1 year limited warranty.
- All HPS units supplied standard with reactor (NPF) ballasts.



ORDERING GUIDE:

Example: **TLW035NLXLPC-1W**



Series	Lamp Wattage ¹	Ballast Type	Light Source	Lamp Included	Options	Voltage	Colour
TLW : TLW Series	035 : 35W 050 : 50W 070 : 70W	N : Reactor (NPF) H : HPF ²	LX : High Pressure Sodium MA : Metal Halide	L : Yes Blank : No	PC : Built-in Photocontrol	1 : 120V	Blank : Bronze W : White

¹ MA (50W); LX (35, 50, 70W)

² High Power Factor (HPF) is not available for MA.

PROJECT: _____

TYPE: _____ CATALOGUE NUMBER: _____