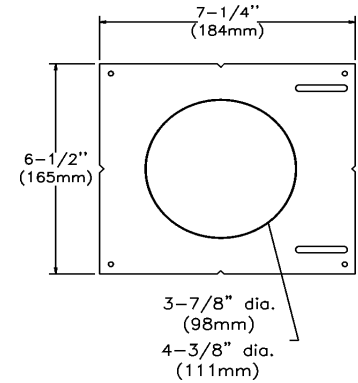


0089L - 0092L



0089S - 0092S

Catalogue No.	Opening
0089L	3-7/8" (98mm) Long Plate for 300 series
0089S	3-7/8" (98mm) Short Plate for 300 series
0092L	4-3/8" (111mm) Long Plate for 500 series
0092S	4-3/8" (111mm) Short Plate for 500 series

Features

Plate: 24 ga. Galvazised steel with 1/4" (7mm) vertical lip on round opening.

Alignment Marks: Four notches are positioned 90° apart to simplify the alignment of the plates in a straight line.

Slots: 4 slots to accomodate up to 16" (406mm) joist construction.

Job Information	Type:
Job Name:	
Cat. No.:	
Lamp(s):	
Notes:	