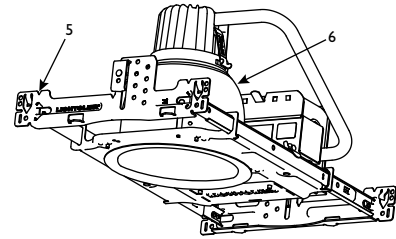
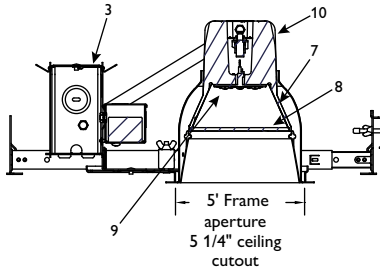
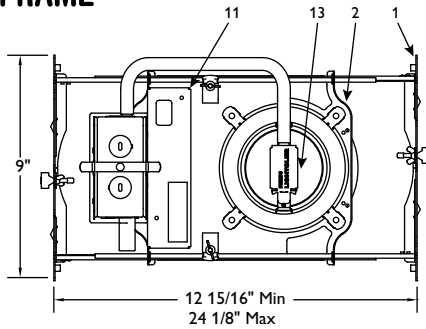


Project:	Catalog No:	Mfg:
Location:	Fixture Type:	Qty:
Notes:		Lamps:



Trim compatibility for the 1001LED series frame-in-kits.

Frame-in kit example: 1001LED09N27D1				Compatible Trims						
Catalog number	Details	CCT	Voltage	Cone	Satin cone	Baffle	Basic white	Pinhole	Enclosed diffusers	Wall washers
1001LED	Lytecaster LED 5", Non-IC, frame-in kit	09N 900lmn, New construction 27 2700K 35 3500K	1 120v 2 277v D1 120v dimmable D2 277v dimmable	1012 1012NM 1013 1013NM 1013BK 1013BKNM 1013CD 1013CDNM 1013WH	1008 1008NM 1010 1010NM	1005* 1005NM* 1005WH 1005BNM 1076* 1076VWH	1071	1011*	1024* 1078* 1090	1035* 1035WH* 1085*

* Trims marked are not Energy Star certified.

Features

- Mounting frame:** .036" (#20ga.) Galvanized Steel. Accommodates all ceilings up to 1 1/2" thick.
- Trim clips:** "Push in/twist out" stainless steel clips hold reflector flush to ceiling.
- Junction box:** 2" x 4" x 3-1/2" (22cu. in.) .032" (#22ga.) galvanized steel. UL Listed for maximum of 8 (#12ga.) through branch circuit conductors.
- Uniframe mounting system – grid ceiling:** Tool free mounting in grid ceilings. .036" (20ga.) Galvanized Steel interlocking slide bars adjust to 24-1/8" long accommodating 24" O.C. Ceiling Grid. Adjustable speed clamps for positive attachment to grid ceiling systems.
- Uniframe mounting system – wood joist ceiling:** Integral nailing tabs, alignment guides, fastener holes and bendable strapping guides for wood joist installation. Galvanized Steel interlocking slide bars adjust from 12-15/16" to 24-1/8" long to accommodate 16" and 24" O.C. joist spacing, with or without strapping.
- Reflector:** See individual specification sheets for information.
- Optical mixing chamber:** Designed to provide a spacing ratio of .9 (60° beam) when installed in standard Lytecaster trims. Optic design provides less glare than standard PAR lamps.
- Lens:** Solite Glass lens has high transmission value with slight texturing to provide a smooth consistent beam distribution.
- Led board:** Utilizes Philips Lumileds LED's.
- Thermal management:** Proprietary heat sink was developed using the latest in Computational Fluid Dynamics Software. This optimized thermal design provides a 50,000 hour lifetime at 70% lumen maintenance. Cast aluminum heat sink is coated with a RoHS compliant coating (trivalent chromate) to resist corrosion in damp/wet environments.
- Power supply/enclosure:** Factory wired electronic LED driver (see Electrical section for specifications) Enclosed in a 22Ga galvanized steel housing.

Electrical

Electronic power supply: RoHS compliant Class 2 power unit for use in a damp or dry location (Outdoor Type1 IP66). Class A sound rated unit tolerates sustained open circuit and short circuit output conditions without damage. Complies with FCC rules per Title 47 CFR Part 15 Non-Consumer (Class A) for EMI/RFI (conducted and radiated) at full load. Dimming (0-10V) version intended for use with 0-10V DC type dimmers. See www.advance.philips.com for latest dimming switch compatibility.

Input voltage	Input frequency	Max Input current	Max input power	Max THD	Power factor	Minimum operating temperature	Dimming Signal
120v	50/60Hz	0.2	24W	< 20%	>.9	-20° C	N/A
120v Dim	50/60Hz	0.2	24W	< 20%	>.9	-20° C	0-10V
277v	50/60Hz	0.09	24W	< 20%	>.9	-20° C	N/A
277v Dim	50/60Hz	0.09	26W	< 20%	>.9	-20° C	0-10V

Accessories

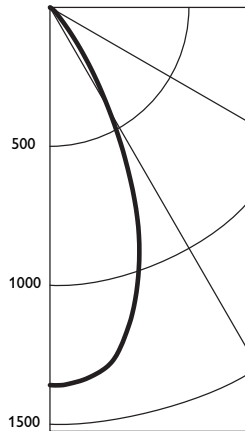
1967B Extra thick ceiling adapter (2" thk) L56VWLENS Spread lens for use with wall wash trims to provide even vertical illumination.

Labels

UL wet location classified. cULus listed. 5 year warranty. Suitable for damp locations. I.B.E.V. Title 24 compliant. Energy Star certified (except "D2").



Lytecaster LED, 2700K Uniframe



Angle	Mean CP
0	1359
5	1347
10	1293
15	1143
20	940
25	685
30	423
35	224
40	98
45	44
50	27
55	13
60	6
65	2
70	1
75	1
80	0
85	0
90	0

Catalog no: 1001LED09N271/ 1013

Report no.: F10156
 Total fixture lumens: 952
 Color temp: 2700K
 Input watts: 20.7W
 Luminaire efficacy: 46 lm/w
 Spacing criterion: 0.82
 CRI: 82

Zonal lumens and percentages			
Zone	Lumens	%Lamp	%Fixt
0-30	753	N/A	79
0-40	898	N/A	94
0-60	949	N/A	99
0-90	952	N/A	100

Coefficients of utilization

	Ceiling										
	80%			70%			50%			0%	
Wall	70	50	30	70	50	30	50	30	10	0	
RCR	Zonal cavity method - Effective floor reflectance = 20%										
Room cavity ratio	0	119	119	119	116	116	116	111	111	111	100
	1	114	111	109	111	109	107	105	103	102	94
	2	109	104	100	106	102	99	99	96	94	88
	3	104	98	93	102	96	92	94	90	87	83
	4	99	92	87	97	91	86	88	84	81	78
	5	94	86	81	93	86	80	84	79	76	73
	6	90	82	76	89	81	76	79	75	71	69
	7	86	77	72	85	77	71	75	71	67	65
	8	82	73	68	81	73	67	72	67	63	62
	9	79	70	64	78	69	64	68	63	60	58
	10	75	66	61	74	66	60	65	60	57	55

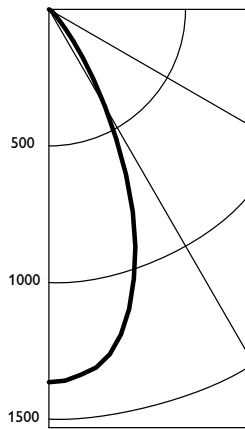
Single unit data

Height to Lighted Plane	Initial Center Beam Foot-Candles	Beam Diameter*
6'	38	5
7'	28	6
8'	21	7

*Beam diameter is where foot-candles drop to 50% of maximum.

Tested using absolute photometry as specified in LM79: IESNA Approved Method for the Electrical and Photometric Measurements of Solid-State Lighting Products.

Lytecaster LED, 3500K Uniframe



Angle	Mean CP
0	1359
5	1347
10	1293
15	1143
20	940
25	685
30	423
35	224
40	98
45	44
50	27
55	13
60	6
65	2
70	1
75	1
80	0
85	0
90	0

Catalog No: 1001LED09N351 / 1013

Report no.: F10131
 Total fixture lumens: 936
 Color temp: 3500K
 Input watts: 18.8W
 Luminaire efficacy: 50 lm/w
 Spacing criterion: 0.8
 CRI: 82

Zonal lumens and percentages			
Zone	Lumens	%Lamp	%Fixt
0-30	742	N/A	79
0-40	883	N/A	94
0-60	934	N/A	99
0-90	937	N/A	100

Coefficients of utilization

	Ceiling										
	80%			70%			50%			0%	
Wall	70	50	30	70	50	30	50	30	10	0	
RCR	Zonal cavity method - Effective floor reflectance = 20%										
Room cavity ratio	0	119	119	119	116	116	116	111	111	111	100
	1	114	111	109	111	109	107	105	103	102	94
	2	109	104	100	106	102	99	99	96	94	88
	3	104	98	93	102	96	92	94	90	87	83
	4	99	92	87	97	91	86	88	84	81	78
	5	94	86	81	93	86	80	84	79	76	73
	6	90	82	76	89	81	76	79	75	71	69
	7	86	77	72	85	77	71	75	71	67	65
	8	82	73	68	81	73	67	72	67	63	62
	9	79	70	64	78	69	64	68	63	60	58
	10	75	66	61	74	66	60	65	60	57	55

Single unit data

Height to Lighted Plane	Initial Center Beam Foot-Candles	Beam Diameter*
6'	38	5
7'	28	6
8'	21	7

*Beam diameter is where foot-candles drop to 50% of maximum.

Tested using absolute photometry as specified in LM79: IESNA Approved Method for the Electrical and Photometric Measurements of Solid-State Lighting Products.



© 2013 Koninklijke Philips N.V. (Royal Philips). All rights reserved.
 Specifications are subject to change without notice.
www.philips.com/luminaires

1001LED 07/13

Philips Lighting Company
 200 Franklin Square Drive
 Somerset, NJ 08873
 Phone: 855-486-2216

Philips Lighting Company
 281 Hillmount Road
 Markham ON, Canada L6C 2S3
 Phone: 855-486-2216