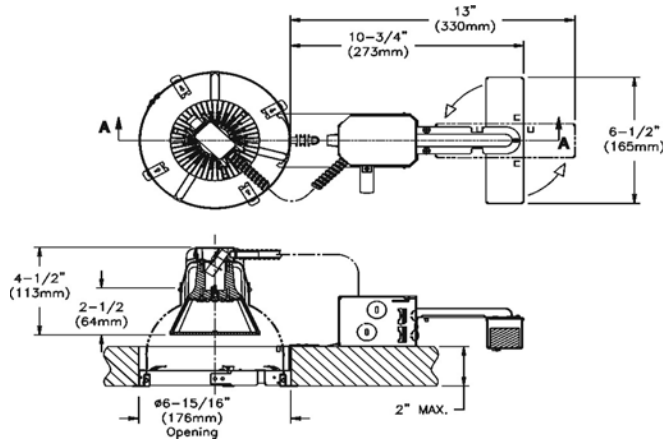




LED, Non-IC, Remodeler  
Ceiling Opening: 6-15/16" (176mm)



For complete fixture order: Trim Kit + Frame-In Kit. Sold Separately.

Led Frame-in Kit	Driver Option	Lumen (nominal) Depends on trim used	CCT	Voltage
1100LED09R271	NON-IC	Non dimming	2700K	120V
1100LED09R27D1	NON-IC	Dimming	2700K	120V
1100LED09R351	NON-IC	Non dimming	3500K	120V
1100LED09R35D1	NON-IC	Dimming	3500K	120V

### Features

**Mounting Ring:** 0.046" (19ga) galvanised steel. Accommodates existing ceilings up to 2" thick. Attaches securely to any type of ceiling material without tools using (3) mounting straps provided.

**Trim clips:** Push-in / clips hold reflector flush to ceiling.

**Junction Box:** 2" ( 51mm) x 4" (102mm) x 3-1/2" (89mm) 22 ga. galvanised steel. cUL certified for maximum of 8 No. 12 ga. through branch circuit.

**Thermal Protector:** Meets NEC and UL requirements. Do not install insulation above nor within 3" (76mm) of any part of the luminaire.

**Light Engine:** Designed with a Philips Lumiled board to provide a spacing ratio of 0.9 (60° beam) when installed in standard lytecaster trims. The Optic obtain less glare than a standard PAR lamps, the Die cast aluminum heat sink develop to provide 50,000 hr of life at 70% lumen maintenance. Finally the assembly is closed by a solite glass lens with a high transmission value and texturing for a smooth and consistant beam distribution.

**Power Supply/Enclosure:** Factory wired electronic LED driver (see Electrical section for specification sheet). Enclosed in a 22Ga Galvanised steel housing. Rotatable for easy installation.

**Trim Kit:** See individual specification sheets for information, and page 2 for Energy Star compatibility.

**Dimming Switch Compatibility:** Note that most all standard incandescent dimmers will function, but performance will vary. The dimmers listed below have the optimal performance.

#### HUNT Dimming

- 56500 PS-LED-PC-IV-120V-LT26/36 (2 wires)
- 56501 PS-LED-PC-WH-120V-LT26/36 (2 wires)
- 56510 PS-LED-PC-3W-IV-120V-LT26/36 (2 wires)
- 56511 PS-LED-PC-3W-WH-120V-LT26/36 (2 wires)

**Lightolier Controls:** ZP260QE (requires neutral)

**Lutron:** NLV-600 (2 wires)

**Leviton:** IPE04-1LW (requires neutral) - 6681-IW (2 wires)

**Please note:** Product incompatible with Lutron Electronic Low Voltage dimmers.

### Markings

cULus Listed, suitable for wet locations.  
ENERGY STAR qualified for use with specific finishing trims  
(see page-2) 5 years warranty.



### Electrical (non-dimming)

**Electronic Power Supply:** RoHS compliant Class 2 power unit for use in a damp or dry location (outdoor type 1 IP66). Class A sound rated unit tolerates sustained open circuit and short circuit output conditions without damage. Complies with FCC rules per Title 47 CFR Part 15/18 Non-Consumer (Class A) for EMI/RFI (conducted and radiated) at full load.

Input Voltage	Input Frequency	Input Current	Input Power	THD	Power Factor	Minimum Operating Temperature
120V	50/60Hz	0.16A	20W	<20%	>0.9	-20°C

### Electrical (dimming)

**Electronic Power Supply:** RoHS compliant Class 1 power unit for use in a damp or dry location (outdoor type 1). Class A sound rated unit tolerates sustained open circuit and short circuit output conditions without damage. Complies with FCC rules per Title 47 CFR Part 15/18 Non-Consumer (Class B) for EMI/RFI (conducted and radiated) at full load.

Input Voltage	Input Frequency	Input Current	Input Power	THD	Power Factor	Minimum Operating Temperature	% Minimum Dimming
120V	50/60Hz	0.2A	25W	<20%	>0.9	-20°C	<5%

### Job Information

### Type:

**Job Name:**

**Cat. No.:**

**Lamp(s):**

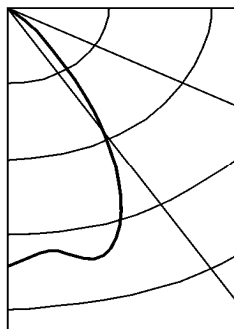
**Notes:**

**PHILIPS  
LIGHTOLIER®**

Energy Star LED Remodeler and Trims Comptability				
6-3/4" Trims (1100 Series)				
Trims	1100LED09N271	1100LED09N27D1	1100LED09N351	1100LED09N35D1
1105	X	---	X	---
1105BA	X	---	X	---
1105CCD	X	X	X	X
1105CL	X	X	X	X
1105GD	X	X	X	X
1105WH	X	X	X	X
1121	---	---	---	---
1126WH	X	---	X	---
1126BK	---	---	---	---
1132	X	---	X	X
1144CL	X	X	X	X
1146CCD	X	X	X	X
1146CL	X	X	X	X
1190	X	X	X	X

X = Meets Energy Star performance level  
 --- Does not meet Energy Star performance level

## Lytecaster LED



ANGLE	MEAN CP
0	845
5	828
10	827
15	858
20	798
25	657
30	469
35	286
40	149
45	63
50	22
55	10
60	6
65	2
70	2
75	1
80	2
85	2
90	2

ZONAL LUMENS AND PERCENTAGES	
ZONE	LUMENS
0-30	612
0-40	792
0-60	856
0-90	862

### Catalog No: 1100LED09N271/1105CL

Report No.:	4130FR
Total Fixture Lumens:	862 lm (3500K = 943 lm)
Color Temp:	2700K
Input Watts:	19W
Luminaire Efficacy	45 lm/w (3500K = 50 lm/w)
Spacing Criterion:	1.02
CRI	82

### COEFFICIENTS OF UTILIZATION - ZONAL CAVITY METHOD

Effective Floor Cavity Reflectance 0.20

RC RW	80			70			50			0
	70	50	30	70	50	30	50	30	10	0
0	110	110	110	107	107	107	103	103	103	92
1	105	102	100	103	100	98	96	95	93	86
2	100	95	91	97	93	90	90	88	85	80
3	94	88	84	93	87	83	85	81	78	74
4	90	83	77	88	81	77	79	75	72	69
5	85	77	72	83	76	71	75	70	67	64
6	81	72	67	79	72	66	70	66	62	60
7	77	68	62	75	67	62	66	61	58	56
8	73	64	58	72	63	58	62	57	54	52
9	69	60	55	68	60	54	59	54	51	49
10	66	57	51	65	56	51	56	51	48	46

Multiply calculated footcandles by 1.1 for 3500K LED

Single Unit Data		
Height to Lighted Plane	Initial	Beam
	Center Beam Foot-Candles	Diameter*
6'	23	6
7'	17	7
8'	13	8

\*Beam diameter is where foot-candles drop to 50% of maximum.

Multiply Footcandles by 1.1 for 3500K LED