



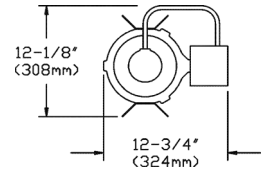
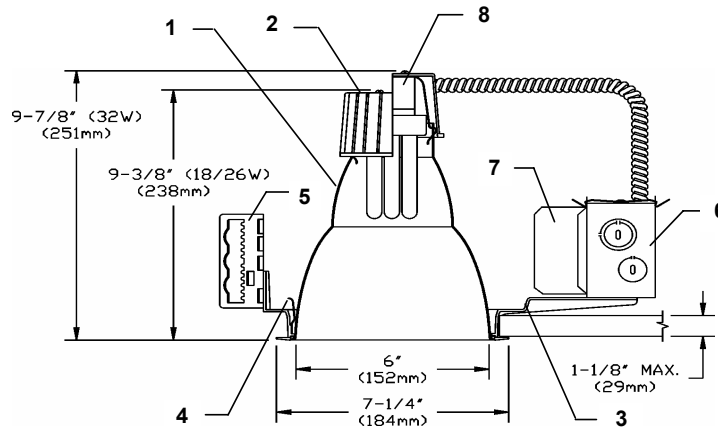
Calculite CFL Recessed Downlight

6" Aperture Open Reflector 1 x TTT Vertical Lamp

8021

Rev: 04

Ceiling Opening : 6 9/16" (167mm)



Complete fixture consists of Reflector Trim & Frame-in Kit. Select each separately.

Reflector Trim		Non-Dimming Frame	Dimming Frame	Lamp	Base
8021CCL	Comfort Clear / White Molded Trim Ring	6118BG120 6118BG347	6118BJ120MX 6118BJ120SE	1-18W TTT	GX24q-2
8021 Options	Add suffix. See Options for others finishes	612632BG120 612632BG347	612632BCU 612632BJ120MX 6126BJ120HL 6126BJ120SE 6126BJ120TW 6132BJ120HL 6132BJ120SE 6132BJ120TW	1-26/32W TTT 1-26W TTT 1-32W TTT	GX24q-3 GX24q-3 GX24q-3

Features

- 1. Reflector:** Alzak® aluminum, 16 ga. 50° visual cut-off to lamp and and lamp image. Medium distribution. Reflector supplied with white molded trim ring (field paintable). Comfort Clear low iridescence finish.
- 2. Socket Cup :** Heat dissipating die-cast aluminum. Positive locking attachment, without tools, to reflector assures proper optical alignment of lamp.
- 3. Mounting Frame :** Die-cast aluminum suitable for dry or plaster ceilings.
- 4. Retaining Springs :** Rust resistant springs simplify reflector/housing removal for inspection and maintenance.
- 5. Mounting Brackets:** 16 ga. steel. Use 18" (457 mm) mounting bars (optional) or with standard 3/4" (19 mm), 1-1/2" (38 mm) lathing channels (by others) or 1/2" (13 mm) tubing (by others). Adjust vertically from inside of fixture.
- 6. Junction Box:** 14 ga. steel, 4" (102 mm) x 3-1/2" (89 mm x 2" (51 mm) box, allows inspection from below. CSA certified for through branch circuit wiring with maximum of 8 no. 12, 90° C conductors.
- 7. Electronic Ballast :** Thermally protected class "P" High Power Factor, no visible flicker on starting, internally fused and protection circuit for lamp end of life. Sound rated "A". Designed for removal without tools from inside of fixture for easy field inspection or service replacement.
- 8. Socket:** Molded thermoplastic. Pre-wired with 18 ga. SEW leads to junction box. Universal base to accept both GX24q-3 and GX24q-4 lamps.

Accessories

- 1950** set of 2 Mounting bars 18" (457 mm)
- 1951** set of 2 Mounting bars 30" (762 mm)
- 1956** set of 4 T-Bar Anchor Clips
- 7925** Slope Ceiling Adaptor ; see sheet 7920.

Reflector Options

- For availability, consult your Lightolier representative.
- CCLP** Comfort Clear / Polished Integral Flange
 - CCD** Comfort Clear Diffuse / White Molded Trim Ring
 - CCDP** Comfort Clear Diffuse / Polished Integral Flange
 - CCZ** Comfort Champagne Bronze / White Molded Trim Ring
 - CCZP** Comfort Champagne Bronze / Polished Integral Flange
 - CPW** Comfort Pewter / White Molded Trim Ring
 - CPWP** Comfort Pewter / Polished Integral Flange
 - MG** Multigroove black baffle
 - MGWH** White Multigroove / White Molded Trim Ring
 - WHW** White / White Integral Flange

Electrical

- BG** Electronic (BG120 = dual voltage 120/277V)
- BCU** Dimming PowerSpec (dual voltage 120/277V)
- MX** Dimming Advance Mark 10 (120V)
- SE** Dimming Lutron SE 5% (120V)
- TW** Dimming Lutron Tu-Wire 5% (120V)
- HL** Dimming Lutron Hi-Lume 1% (120V)

For electrical data, latest lamp / ballast compatibility, see "BALLAST" sheet

Markings

CSA certified for damp locations.

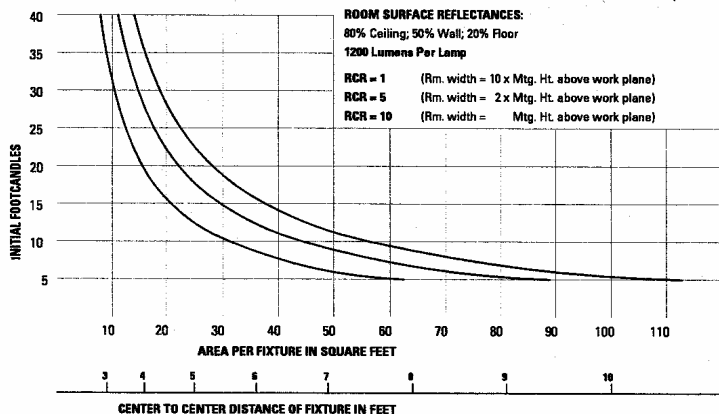
LIGHTOLIER®

CANLYTE 3015 Louis Amos Lachine, Qc. H8T 1C4
Tel.: (514) 636-0670 - Fax.: (514) 636-0460
www.canlyte.com

We reserve the right to change details of design, materials and finish.



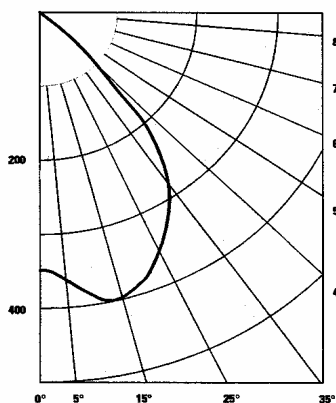
Quick Calculator



This quick calculator chart determines the number and spacing of 1 ft.-18W PL-T units with clear reflector, for any level of illumination.

Spacing Ratio

CERTIFIED TEST REPORT NO. 0662FR
COMPUTED BY LSI PROGRAM **TEST-LITE**
CALCULITE RECESSED COMPACT FLUORESCENT OPEN DOWNLIGHT,
4 1/2" DIA. APERTURE CLEAR REFLECTOR
1-18W PLT LAMP. LUMEN RATING = 1200 LMS.



CANDLEPOWER SUMMARY

ANGLE	MEAN CP	LUMENS
0	350	
5	368	35
10	394	
15	394	110
20	374	
25	343	158
30	305	
35	254	155
40	171	
45	36	48
50	5	
55	1	2
60	0	
65	0	0
70	0	
75	0	0
80	0	
85	0	0
90	0	

** Efficiency = 42.38% **

ZONAL LUMENS AND PERCENTAGES

ZONE	LUMENS	% LAMP	% LUMINAIRE
0-30	303	25.30	59.81
0-40	458	38.18	90.25
0-60	507	42.30	100.00
0-90	507	42.30	100.00
40-90	49	4.13	9.75
60-90	0	.00	.00
90-180	0	.00	.00
0-180	507	42.30	100.00

Coefficients of Utilization

ZONAL CAVITY METHOD

EFFECTIVE FLOOR CAVITY REFLECTANCE = .20

CC WALL	80			70			50			30			10			0
	50	30	10	50	30	10	50	30	10	50	30	10	50	30	10	
RCR 1	.47	.46	.46	.47	.46	.45	.45	.44	.43	.43	.43	.42	.42	.41	.41	.40
RCR 2	.44	.43	.42	.44	.42	.41	.42	.41	.40	.41	.40	.39	.40	.39	.39	.38
RCR 3	.42	.40	.38	.41	.39	.38	.40	.39	.37	.39	.38	.37	.38	.37	.36	.36
RCR 4	.39	.37	.36	.39	.37	.35	.38	.36	.35	.37	.36	.35	.36	.35	.34	.33
RCR 5	.37	.34	.33	.36	.34	.33	.36	.34	.32	.35	.33	.32	.34	.33	.32	.31
RCR 6	.35	.32	.31	.34	.32	.30	.34	.32	.30	.33	.31	.30	.33	.31	.30	.29
RCR 7	.32	.30	.28	.32	.30	.28	.32	.29	.28	.31	.29	.28	.31	.29	.28	.27
RCR 8	.30	.28	.26	.30	.28	.26	.30	.27	.26	.29	.27	.26	.29	.27	.26	.25
RCR 9	.28	.26	.24	.28	.26	.24	.28	.25	.24	.27	.25	.24	.27	.25	.24	.23
RCR 10	.26	.24	.22	.26	.24	.22	.26	.24	.22	.25	.23	.22	.25	.23	.22	.21