



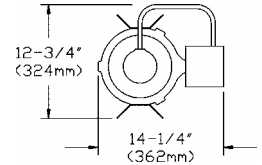
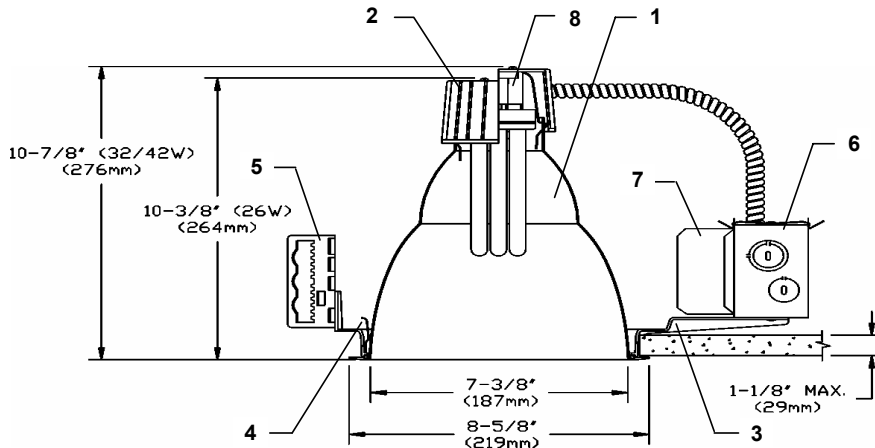
Calculite CFL Recessed Downlight

7 3/8" Aperture Open Reflector 1 x TTT Vertical Lamp

8022

Rev 03-2005

Ceiling Opening: 8" (203mm)



Complete fixture consists of Reflector Trim & Frame-in Kit. Select each separately.

Reflector Trim		Non-Dimming Frame	Dimming Frame	Lamp	Base
8022CCL	Comfort Clear / White Molded Trim Ring	71263242BG120	71263242BCU	1-26/32/42W TTT	GX24q-3 / q-4
		71263242BG347	71263242BJ120MX	1-26/32/42W TTT	GX24q-3 / q-4
8022 Options	Add suffix. See Options for others finishes		7126BJ120HL	1-26W TTT	GX24q-3
			7126BJ120SE		
			7126BJ120TW		
			7132BJ120HL	1-32W TTT	GX24q-3
			7132BJ120SE		
		7132BJ120TW			
		7142BG120	7142BJ120SE	1-42W TTT	GX24q-4
		7142BG347			

Features

- Reflector:** Alzak ® aluminum, 16 ga. 50° visual cut-off to lamp and lamp image. Medium distribution. Reflector supplied with white molded trim ring (field paintable). Comfort Clear low iridescence finish.
- Socket Cup:** Heat dissipating die-cast aluminum. Positive locking attachment, without tools, to reflector assures proper optical alignment of lamp.
- Mounting Frame:** Die-cast aluminum suitable for dry or plaster ceilings.
- Retaining Springs:** Rust resistant springs simplify reflector/housing removal for inspection and maintenance.
- Mounting Brackets:** 16 ga. steel. Use 18" (457 mm) mounting bars (optional) or with standard 3/4" (19 mm), 1-1/2" (38 mm) lathing channels (by others) or 1/2" (13 mm) tubing (by others). Adjust vertically from inside of fixture.
- Junction Box:** 14 ga. steel, 4" (102 mm) x 3-1/2" (89 mm x 2" (51 mm) box, allows inspection from below. CSA certified for through branch circuit wiring with maximum of 8 no. 12, 90° C conductors.
- Electronic Ballast:** Thermally protected class "P" High Power Factor, no visible flicker on starting, internally fused and protection circuit for lamp end of life. Sound rated "A". Designed for removal without tools from inside of fixture for easy field inspection or service replacement.
- Socket:** Molded thermoplastic. Pre-wired with 18 ga. SEW leads to junction box. Universal base to accept both GX24q-3 and GX24q-4 lamps.

Accessories

- 1950** set of 2 Mounting bars 18" (457 mm)
- 1951** set of 2 Mounting bars 30" (762 mm)
- 1956** set of 4 T-Bar Anchor Clips
- 7926** Slope Ceiling Adaptor ; see sheet 7920.

Reflector Options

For availability, consult your Lightolier representative.

- CCLP** Comfort Clear / Polished Integral Flange
- CCD** Comfort Clear Diffuse / White Molded Trim Ring
- CCDP** Comfort Clear Diffuse / Polished Integral Flange
- CCZ** Comfort Champagne Bronze / White Molded Trim Ring
- CCZP** Comfort Champagne Bronze / Polished Integral Flange
- CPW** Comfort Pewter / White Molded Trim Ring
- CPWP** Comfort Pewter / Polished Integral Flange
- MG** Multigroove black baffle
- MGWH** White Multigroove / White Molded Trim Ring
- WHW** White / White Integral Flange

Electrical

- BG** Electronic (BG120 = dual voltage 120/277V)
- BCU** Dimming PowerSpec (dual voltage 120/277V)
- MX** Dimming Advance Mark 10 (120V)
- SE** Dimming Lutron SE 5% (120V)
- TW** Dimming Lutron Tu-Wire 5% (120V)
- HL** Dimming Lutron Hi-Lume 1% (120V)

For electrical data, latest lamp / ballast compatibility, see "BALLAST" sheet

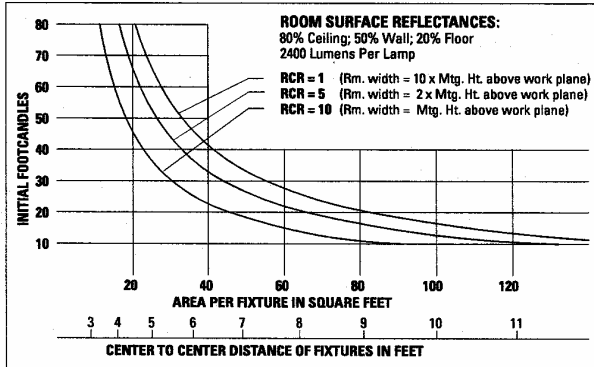
Markings

CSA certified for damp locations.

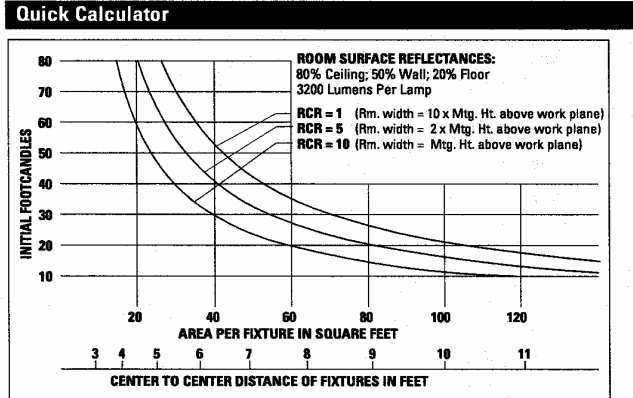
LIGHTOLIER®

CANLYTE 3015 Louis Amos Lachne, Qc. H8T 1C4 CANLYTE
Tel.: (514) 636-0670 - Fax.: (514) 636-0460
www.canlyte.com

We reserve the right to change details of design, materials and finish.



This quick Calculator chart determines the number and spacing of 1 ft.-32W PL-T units with Comfort Clear™ reflector for any level of illumination. Conversion factor: 1 ft. 26W PL-T with Comfort Clear reflector for any level of illumination. reflector, F.C. x 0.8.



This quick Calculator chart determines the number and spacing of 1 ft.-42W PL-T units with Comfort Clear™ reflector for any level of illumination.

Spacing Ratio = 1.1

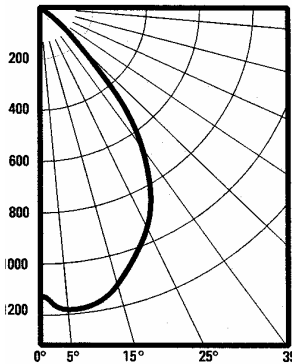
REPORT NO: LRL 499-9F2
REPORT PREPARED FOR: LIGHTOLIER LABORATORY, INC.
DESCRIP: 7.5" DIA. RECESSED DOWNLIGHT WITH COMFORT CLEAR™ REFLECTOR
LAMPS: 1PL-T 32W LUMENS=2400

CANDLEPOWER SUMMARY

ANGLE	AVERAGE CP	LUMENS
180	0	0
175	0	0
165	0	0
155	0	0
145	0	0
135	0	0
125	0	0
115	0	0
105	0	0
95	0	0
85	1	1
75	2	2
65	3	3
55	11	10
45	226	175
35	678	426
25	933	432
15	1117	317
5	1179	113
0	1126	0

ZONAL LUMENS AND PERCENTAGES

ZONE	LUMENS	% LAMP	% LUMINAIRE
0-30	861	35.9	58.3
0-40	1287	53.6	87.1
0-60	1472	61.3	99.6
0-90	1478	61.6	100.0
40-90	191	8.0	12.9
60-90	6	0.3	0.4
90-120	0	0.0	0.0
90-150	0	0.0	0.0
90-180	0	0.0	0.0
0-180	1478	61.6	100.00



Efficiency 61.6%

TESTED ACCORDING TO IES PROCEDURES. TEST DISTANCE EXCEEDS FIVE TIMES THE GREATEST LUMINOUS OPENING OF LUMINAIRE.

Coefficients of Utilization

ROOM CAVITY RATIO	EFFECTIVE CEILING CAVITY REFLECTANCE																
	WALL REFLECTANCE																
	80			70			50			30			10			0	
1	.69	.67	.66	.67	.66	.65	.65	.64	.63	.63	.62	.61	.61	.60	.59	.58	
2	.65	.63	.61	.64	.62	.60	.62	.60	.58	.58	.57	.56	.58	.57	.56	.56	
3	.61	.59	.57	.61	.58	.56	.59	.57	.55	.58	.56	.55	.56	.55	.54	.53	
4	.58	.55	.53	.57	.54	.52	.56	.54	.52	.55	.53	.51	.54	.52	.50	.50	
5	.55	.51	.49	.54	.51	.49	.53	.50	.49	.52	.50	.48	.51	.49	.48	.47	
6	.52	.48	.46	.51	.48	.46	.50	.48	.46	.50	.47	.45	.49	.47	.45	.44	
7	.49	.45	.43	.46	.45	.43	.48	.45	.43	.47	.44	.43	.46	.44	.42	.42	
8	.46	.42	.40	.44	.42	.40	.44	.42	.40	.44	.42	.40	.44	.41	.40	.39	
9	.43	.40	.37	.43	.39	.37	.42	.39	.37	.42	.39	.37	.41	.39	.37	.36	
10	.38	.35	.32	.38	.35	.32	.38	.35	.32	.37	.34	.32	.37	.34	.32	.31	

Spacing Ratio

REPORT PREPARED FOR: LIGHTOLIER
REPORT NO: LRL 499-9E
REPORT BY: LIGHTING RESEARCH LABORATORY, INC.
DESCRIP: 7.5" DIA. x 11 HT RECESSED DOWNLIGHT WITH COMFORT CLEAR™ REFLECTOR. LAMPS: 1PLT 42W LUMENS=3200

CANDLEPOWER SUMMARY

ANGLE	AVERAGE CP	LUMENS
180	0	0
175	0	0
165	0	0
155	0	0
145	0	0
135	0	0
125	0	0
115	0	0
105	0	0
95	0	0
85	2	2
75	4	4
65	5	5
55	16	14
45	334	258
35	797	501
25	1178	545
15	1504	426
5	1585	151
0	1518	0

ZONAL LUMENS AND PERCENTAGES

ZONE	LUMENS	% LAMP	% LUMINAIRE
0-30	1123	35.1	58.9
0-40	1623	50.7	85.1
0-60	1896	59.3	99.4
0-90	1908	59.6	100.0
40-90	284	8.9	14.9
60-90	12	0.4	0.6
90-120	0	0.0	0.0
90-150	0	0.0	0.0
90-180	0	0.0	0.0
0-180	1908	59.6	100.00

Efficiency=59.6%

April 27, 1999

Coefficients of Utilization

CC WALL	ZONAL CAVITY METHOD																			
	EFFECTIVE FLOOR CAVITY REFLECTANCE = .20																			
	80			70			50			30			10			0				
RCR	50	30	10	50	30	10	50	30	10	50	30	10	50	30	10	50	30	10	0	
1	.66	.65	.64	.65	.64	.63	.63	.62	.61	.60	.60	.59	.58	.58	.57	.56	.55	.54	.53	.56
2	.62	.60	.58	.61	.59	.57	.59	.58	.56	.57	.56	.55	.56	.55	.54	.53	.52	.50	.50	.53
3	.58	.55	.53	.57	.55	.53	.56	.54	.52	.54	.53	.51	.53	.52	.50	.48	.47	.46	.46	.46
4	.55	.52	.49	.54	.51	.49	.53	.50	.48	.52	.50	.48	.51	.49	.47	.46	.45	.44	.43	.43
5	.51	.48	.46	.51	.48	.45	.50	.47	.45	.49	.46	.45	.48	.46	.44	.43	.42	.41	.41	.41
6	.48	.45	.42	.48	.45	.42	.47	.44	.42	.46	.44	.42	.45	.43	.41	.40	.39	.38	.38	.38
7	.45	.42	.39	.45	.41	.39	.44	.41	.39	.43	.41	.39	.43	.40	.38	.37	.36	.35	.35	.35
8	.42	.39	.36	.42	.38	.36	.41	.38	.36	.40	.38	.36	.40	.37	.36	.35	.34	.33	.33	.33
9	.39	.36	.33	.39	.35	.33	.38	.35	.33	.38	.35	.33	.37	.35	.33	.32	.31	.31	.31	.31
10	.37	.33	.31	.36	.33	.31	.36	.33	.31	.35	.32	.30	.35	.32	.30	.29	.28	.28	.28	.28