

Ordering Information

Catalog No.	Finishes	Mounting	Lamps	Lamps
8202WH 8202BK	Matte White Matte Black	All Lytespan Track Systems	R20 75W Max., R30 100W Max., PAR16 75W Max. (T-H), PAR20 50W Max. (T-H), PAR30 75W Max. (T-H), PAR38 150W Max.	Accepts PAR16, 20 or 30 shades. (See Lightolier Specification Sheets 8215, 8216, 8217, 8225, 8226, 8227, 8235, 8236 and 8237).

Features

- 1. Lytespan Attachment Fitting:** Molded polycarbonate. Integral color. Fitter twists into track and locks on.
- 2. Movable Brass Contact:** Extends for connection to 2nd circuit in Advent Lytespan Track.
- 3. Embossed Keyway:** For optional shade attachment.
- 4. Push Tab:** Detaches unit.
- 5. Trunion Mounting:** Tensioned with internal spring washer. 90° stop for vertical adjustment (UL requirement).
- 6. Pivot Mounting:** Permanently tensioned; 350° stop.
- 7. Textured Grip:** Molded Valox® Integral color.
- 8. Fitting Housing:** Die-cast aluminum.

Electrical

Porcelain socket, medium base, nickel plated screw shell. No. 18 braided SF-1 leads with silicone sleeving.

Finish

All painted finishes baked enamel.

Labels

UL; I.B.E.W.

Valox® is a trademark of General Electric.

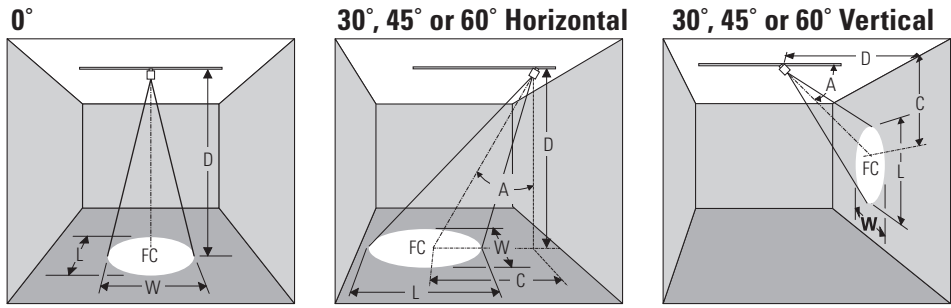
Job Information	Type:
Job Name:	
Cat. No.:	
Lamp(s):	
Notes:	

Lighting Data

Aiming Angle

L Beam Length
W Beam Width
C Distance to center beam
D Distance
A Aiming Angle
FC Footcandle

L and **W** are the outer points where the candle power drops to 50% of the maximum. **FC** are the initial footcandles at the center of the beam.



LAMP

LAMP	Beam Spread 50% Max. CP	Beam Center C.P. Candelas	Rated Life-Hrs	0° AIMING ANGLE				A=30° AIMING ANGLE				A=45° AIMING ANGLE				A=60° AIMING ANGLE						
				D	FC	L	W	D	C	FC	L	W	D	C	FC	L	W	D	C	FC	L	W
60W PAR16 NSP (Halogen)	10Y	5,000	2,000	6'	139	1.0'	1.0'	5'	2.9'	130	1.2'	1.0'	3'	3.0'	196	1.1'	0.7'	2'	3.5'	156	1.4'	0.7'
				8'	78	1.4'	1.4'	7'	4.0'	66	1.6'	1.4'	5'	5.0'	71	1.8'	1.2'	3'	5.2'	69	2.1'	1.0'
				10'	50	1.7'	1.7'	9'	5.2'	40	2.1'	1.8'	7'	7.0'	36	2.5'	1.7'	4'	6.9'	39	2.9'	1.4'
				12'	35	2.1'	2.1'	11'	6.4'	27	2.6'	2.2'	9'	9.0'	22	3.2'	2.2'	5'	8.7'	25	3.6'	1.7'
60W PAR16 NFL (Halogen)	30Y	1,300	2,000	3'	144	1.6'	1.6'	3'	1.7'	94	2.2'	1.9'	2'	2.0'	115	2.3'	1.5'	1'	1.7'	163	2.7'	1.1'
				5'	52	2.7'	2.7'	5'	2.9'	34	3.7'	3.1'	3'	3.0'	51	3.5'	2.3'	2'	3.5'	41	5.5'	2.1'
				7'	27	3.8'	3.8'	7'	4.0'	17	5.1'	4.3'	4'	4.0'	29	4.6'	3.0'	3'	5.2'	18	8.2'	3.2'
				9'	16	4.8'	4.8'	9'	5.2'	10	6.6'	5.6'	5'	5.0'	18	5.8'	3.8'	4'	6.9'	10	10.9'	4.3'
50W PAR20 NSP (Halogen)	8Y	6,000	2,000	6'	167	0.8'	0.8'	5'	2.9'	156	0.9'	0.8'	3'	3.0'	236	0.8'	0.6'	2'	3.5'	188	1.1'	0.6'
				8'	94	1.1'	1.1'	7'	4.0'	80	1.3'	1.1'	5'	5.0'	85	1.4'	1.0'	3'	5.2'	83	1.7'	0.8'
				10'	60	1.4'	1.4'	9'	5.2'	48	1.7'	1.5'	7'	7.0'	43	2.0'	1.4'	4'	6.9'	47	2.3'	1.1'
				12'	42	1.7'	1.7'	11'	6.4'	32	2.1'	1.8'	9'	9.0'	26	2.5'	1.8'	5'	8.7'	30	2.8'	1.4'
50W PAR20 SP (Halogen)	15Y	3,200	2,000	6'	89	1.6'	1.6'	5'	2.9'	83	1.8'	1.5'	3'	3.0'	126	1.6'	1.1'	1'	3.5'	100	2.2'	1.1'
				8'	50	2.1'	2.1'	7'	4.0'	42	2.5'	2.1'	5'	5.0'	45	2.7'	1.9'	2'	5.2'	44	3.3'	1.6'
				10'	32	2.6'	2.6'	9'	5.2'	28	3.2'	2.7'	7'	7.0'	23	3.8'	2.6'	3'	6.9'	25	4.4'	2.1'
				12'	22	3.2'	3.2'	11'	6.4'	17	3.9'	3.3'	9'	9.0'	14	4.8'	3.4'	4'	8.7'	18	5.6'	2.6'
50W PAR20 NFL (Halogen)	27Y	1,850	2,000	4'	116	1.9'	1.9'	3'	1.7'	134	2.0'	1.7'	3'	3.0'	73	3.1'	2.0'	1'	1.7'	231	2.3'	1.0'
				6'	51	2.9'	2.9'	5'	2.9'	48	3.3'	2.8'	4'	4.0'	41	4.1'	2.7'	2'	3.5'	58	4.6'	1.9'
				8'	29	3.8'	3.8'	7'	4.0'	25	4.6'	3.9'	5'	5.0'	26	5.1'	3.4'	3'	5.2'	26	7.0'	2.9'
				10'	19	4.8'	4.8'	9'	5.2'	15	5.9'	5.0'	6'	6.0'	18	6.1'	4.1'	4'	6.9'	14	9.3'	3.8'
50W PAR30 NSP (HIR)	8Y	17,000	3,000	8'	266	1.1'	1.1'	7'	4.0'	225	1.3'	1.1'	5'	5.0'	240	1.4'	1.0'	3'	5.2'	238	1.7'	0.8'
				12'	118	1.7'	1.7'	10'	5.8'	110	1.9'	1.6'	7'	7.0'	123	2.0'	1.4'	4'	6.9'	133	2.3'	1.1'
				16'	66	2.2'	2.2'	13'	7.5'	65	2.4'	2.1'	9'	9.0'	74	2.5'	1.8'	5'	8.7'	85	2.8'	1.4'
				20'	43	2.8'	2.8'	16'	9.2'	43	3.0'	2.6'	11'	11.0'	50	3.1'	2.2'	6'	10.4'	59	3.4'	1.7'
75W PAR30 NSP (Halogen)	9Y	14,000	2,500	8'	219	1.3'	1.3'	7'	4.0'	186	1.5'	1.3'	5'	5.0'	198	1.6'	1.1'	3'	5.2'	194	1.9'	0.9'
				12'	97	1.9'	1.9'	10'	5.8'	91	2.1'	1.8'	7'	7.0'	101	2.2'	1.6'	4'	6.9'	109	2.6'	1.3'
				16'	55	2.5'	2.5'	13'	7.5'	54	2.7'	2.4'	9'	9.0'	61	2.9'	2.0'	5'	8.7'	70	3.2'	1.6'
				20'	35	3.1'	3.1'	16'	9.2'	36	3.4'	2.9'	11'	11.0'	41	3.5'	2.4'	6'	10.4'	49	3.8'	1.9'
75W PAR30 NFL (Halogen)	30Y	3,200	2,500	6'	89	3.2'	3.2'	5'	2.9'	83	3.7'	3.1'	3'	3.0'	126	3.5'	2.3'	2'	3.5'	100	5.5'	2.1'
				8'	50	4.3'	4.3'	7'	4.0'	42	5.1'	4.3'	5'	5.0'	45	5.8'	3.8'	3'	5.2'	44	8.2'	3.2'
				10'	32	5.4'	5.4'	9'	5.2'	26	6.8'	5.6'	7'	7.0'	23	8.1'	5.3'	4'	6.9'	25	10.9'	4.3'
				12'	22	6.4'	6.4'	11'	6.4'	17	8.1'	6.8'	9'	9.0'	14	10.4'	6.8'	5'	8.7'	16	13.7'	5.4'
75W PAR30 FL (Halogen)	40Y	2,000	2,500	4'	125	2.9'	2.9'	3'	1.7'	144	3.0'	2.5'	3'	3.0'	79	5.0'	3.1'	1'	1.7'	250	4.8'	1.5'
				6'	56	4.4'	4.4'	5'	2.9'	52	5.1'	4.2'	4'	4.0'	44	6.7'	4.1'	2'	3.5'	63	9.7'	2.9'
				8'	31	5.8'	5.8'	7'	4.0'	27	7.1'	5.9'	5'	5.0'	28	8.4'	5.1'	3'	5.2'	28	14.5'	4.4'
				10'	20	7.3'	7.3'	9'	5.2'	16	9.1'	7.6'	6'	6.0'	20	10.1'	8.2'	4'	6.9'	16	19.3'	5.8'
90W PAR38 NSP (Halogen)	9Y	19,500	2,500	10'	195	1.6'	1.6'	8'	4.6'	198	1.7'	1.5'	6'	6.0'	192	1.9'	1.3'	4'	6.9'	152	2.6'	1.3'
				15'	87	2.4'	2.4'	12'	6.9'	88	2.5'	2.2'	9'	9.0'	85	2.9'	2.0'	6'	10.4'	68	3.8'	1.9'
				20'	49	3.1'	3.1'	16'	9.2'	49	3.4'	2.9'	12'	12.0'	48	3.8'	2.7'	8'	13.9'	38	5.1'	2.5'
				25'	31	3.9'	3.9'	20'	11.5'	32	4.2'	3.6'	15'	15.0'	31	4.8'	3.3'	10'	17.3'	24	6.4'	3.1'
90W PAR38 SP (Halogen)	12Y	14,500	2,500	8'	227	1.7'	1.7'	7'	4.0'	192	2.0'	1.7'	5'	5.0'	205	2.1'	1.5'	3'	5.2'	201	2.6'	1.3'
				12'	101	2.5'	2.5'	10'	5.8'	94	2.8'	2.4'	7'	7.0'	105	3.0'	2.1'	4'	6.9'	113	3.5'	1.7'
				16'	57	3.4'	3.4'	13'	7.5'	58	3.7'	3.2'	9'	9.0'	63	3.8'	2.7'	5'	8.7'	73	4.3'	2.1'
				20'	36	4.2'	4.2'	16'	9.2'	37	4.5'	3.9'	11'	11.0'	42	4.7'	3.3'	6'	10.4'	50	5.2'	2.5'
90W PAR38 FL (Halogen)	28Y	4,500	2,500	6'	125	3.0'	3.0'	5'	2.9'	117	3.4'	2.9'	3'	3.0'	177	3.2'	2.1'	2'	3.5'	141	4.9'	2.0'
				8'	70	4.0'	4.0'	7'	4.0'	60	4.8'	4.0'	5'	5.0'	64	5.3'	3.5'	3'	5.2'	63	7.4'	3.0'
				10'	45	5.0'	5.0'	9'	5.2'	36	6.1'	5.2'	7'	7.0'	32	7.4'	4.9'	4'	8.9'	35	9.8'	4.0'
				12'	31	6.0'	6.0'	11'	6.4'	24	7.5'	6.3'	9'	9.0'	20	9.6'	6.3'	5'	8.7'	23	12.3'	5.0'

Job Information	Type:
------------------------	--------------