



# LyteJacks Focal Jack Stems

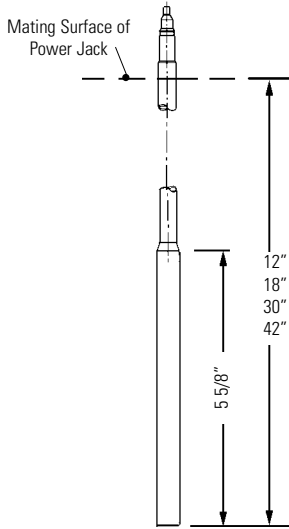
# Lytespan® Accent Lighting System

# 8620WH

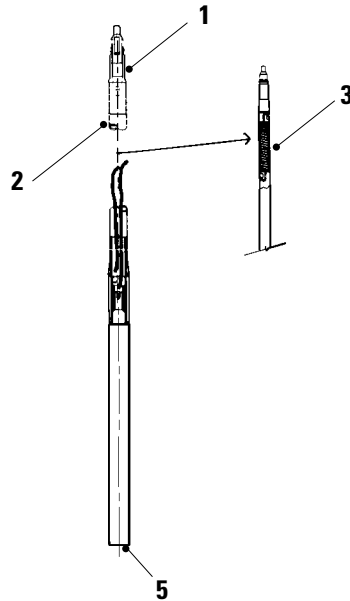
R397

TYPE:

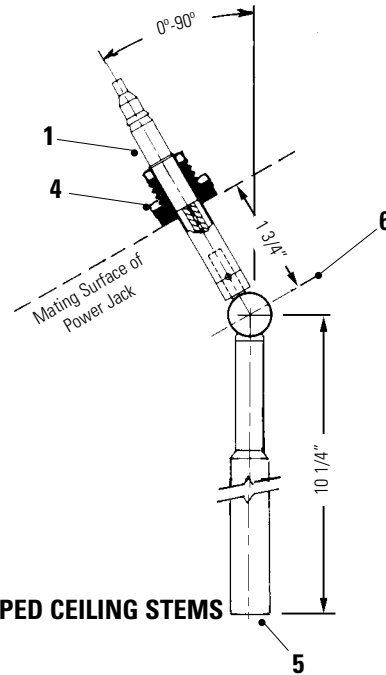
- 8620WH
- 8620BK
- 8621WH
- 8621BK
- 8622WH
- 8622BK
- 8623WH
- 8623BK
- 8630WH
- 8630BK



**EXTENDER STEMS**



**SLOPED CEILING STEMS**



### Ordering Information

Catalog No.	Mounting	Finish	Stem Length	Description	
<input type="checkbox"/> 8620WH	To All LyteJacks 20W-50W Power Jacks	Matte White	12"	EXTENDER STEMS  *Provided with integral "concealed flex" to absorb impact if bumped.	
<input type="checkbox"/> 8620BK		Matte Black			
<input type="checkbox"/> 8621WH		Matte White	18"		
<input type="checkbox"/> 8621BK		Matte Black			
<input type="checkbox"/> 8622WH		Matte White	30"*		
<input type="checkbox"/> 8622BK		Matte Black			
<input type="checkbox"/> 8623WH		Matte White	42"*		
<input type="checkbox"/> 8623BK		Matte Black			
<input type="checkbox"/> 8630WH		Matte White	12"		SLOPED CEILING STEMS
<input type="checkbox"/> 8630BK		Matte Black			Provided with swivel joint for sloped ceilings.

### Features

1. **Male Connector**
2. **3/8" Dia. Tubing:** stainless steel.
3. **Concealed Flex:** (30" and 42" Stems only)
4. **Locking Bushing**
5. **Female Connector:** accepts either Focal Jacks or another Extender Stem. Does not accept Lytedrops.
6. **Position Locking Knob**

### Electrical

Male jack pre-wired to in-line concealed female jack with two No. 18 leads with Teflon™ insulated.

### Finish

All painted finishes baked enamel.

### Labels

UL; I.B.E.W.

### Patents

Products shown here are protected by applicable patents and patents pending.

Teflon is a registered trademark by E.I. DuPont DeNemours and Company.

WE RESERVE THE RIGHT TO CHANGE DETAILS OF DESIGN, MATERIALS AND FINISH, IN ANY WAY THAT WILL NOT ALTER INSTALLED APPEARANCE OR REDUCE FUNCTION AND PERFORMANCE.

**LIGHTOLIER a GENLYTE company**  
631 Airport Road, Fall River, MA 02720  
(508) 679-8131 • FAX (508) 674-4710

Copyright 1997

# LIGHTOLIER