

**PAR-TECH™
Lasso 20**

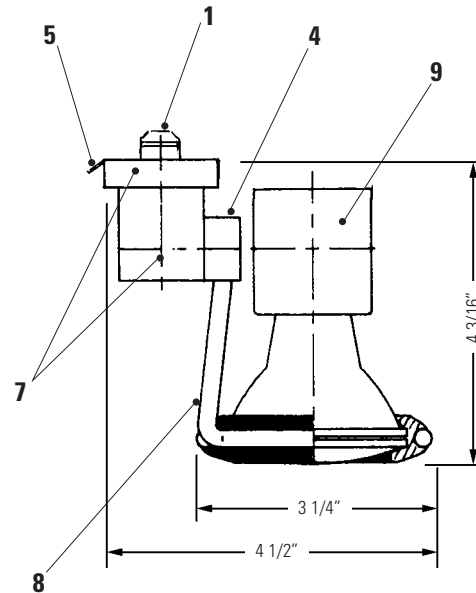
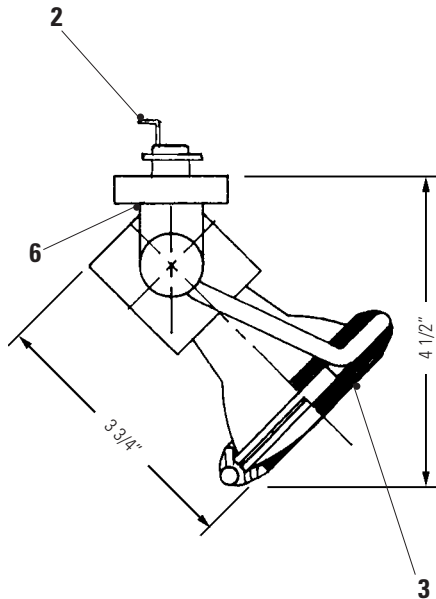
**Lytespan®
Track Lighting
System**

8257WH

R397

TYPE:

8257WH
8257BK



Ordering Information

Catalog No.	Mounting	Finish	Lamps
<input type="checkbox"/> 8257WH	All Lytespan Track Systems	Matte White	PAR20, 50W Max. (Tungsten-Halogen)
<input type="checkbox"/> 8257BK		Matte Black	

Features

- Lytespan Attachment Fitting:** molded polycarbonate. Integral color. Fitting twists onto track and locks in place.
- Movable Brass Contact:** extends for 2nd circuit in Advent Lytespan Track.
- Lamp Retainer:** silicone Rubber. Temperature range — 65°F to +600°F. Integral color.
- Trunion Mounting:** permanently tensioned with internal spring washer. 90° stop for vertical adjustment (U.L. requirement).
- Push Tab:** integral to fitting. Detaches unit.
- Pivot Mounting:** permanently tensioned, 350° stop.
- Fitting Housing:** die-cast aluminum.
- Wire Form Ring:** 1/4" Dia. formed steel rod. Chrome plated.
- Socket Cover:** molded Valox®. Integral color. Matte finish.

Electrical

Porcelain socket, medium base, nickel plated screwshell. No. 18 braided SF-1 leads with a silicone sleeving.

Options & Accessories

2 1/2" Beam Smoother, Beam Elongator, Louver and Barn Doors. All require Accessory Holder 8592. (See Lightolier Specification Sheets 8581, 7559, 7558, 7557 and 8542).

Finish

All painted finishes baked enamel.

Labels

UL; I.B.E.W.

Patents

Products shown here are protected by applicable patents and patents pending.

Valox® is a trademark of General Electric.

WE RESERVE THE RIGHT TO CHANGE DETAILS OF DESIGN, MATERIALS AND FINISH, IN ANY WAY THAT WILL NOT ALTER INSTALLED APPEARANCE OR REDUCE FUNCTION AND PERFORMANCE.

LIGHTOLIER a GENLYTE company
631 Airport Road, Fall River, MA 02720
(508) 679-8131 • FAX (508) 674-4710

Copyright 1997

LIGHTOLIER®