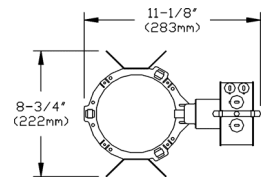
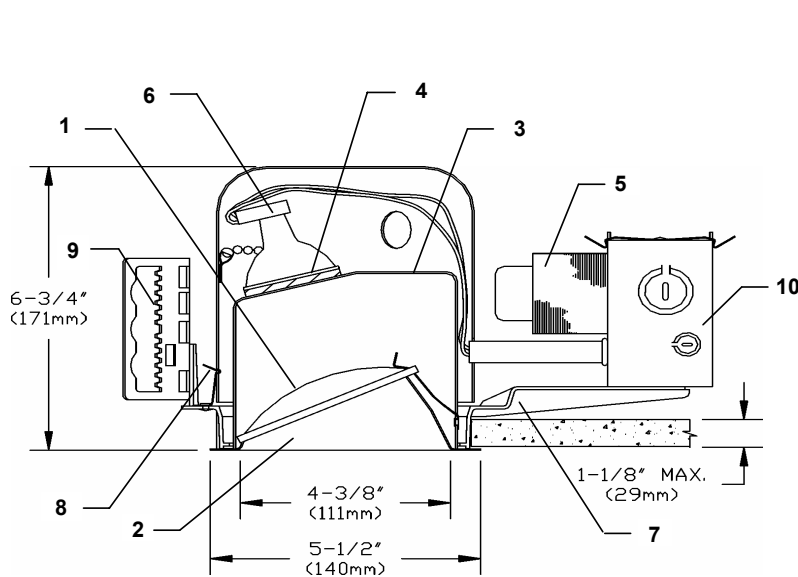


**4-1/2" Aperture
Spread Lens Wall Washer
MR-16 Lamp**

**Calculite
Incandescent
Recessed Downlight**



Ceiling Cutout : 6-9/16" (167 mm)

Complete fixture consists of Reflector Trim & Frame-in Kit. Select each separately

REFLECTOR TRIM

TRM7035A0	Specular Clear Alzak
TRM7035A2	Specular Black Alzak
TRM7035CCDP	Comfort Clear Diffuse
TRM7035CCDW	Comfort Clear Diffuse / White Integral Flange

FRAME-IN-KIT

FRM7040
FRM7040

LAMP (12V) Max.

75W MR16
75W MR16

Features

- 1. Spread Lens:** Specially designed prismatic spread lens increase lateral distribution for even light on vertical surface without hot spots or visible striations.
- 2. Aperture cone:** Aluminum polished anodized ; Entire lamp/aperture cone assembly rotates horizontally 358°. Overlap self-flange painted white or polished.
- 3. Housing:** Aluminum ; Reflective white finish .
- 4. Lamp guard:** Heat resistant glass, as required by C.S.A.
- 5. Transformer:** Magnetic, 120 volt primary, nominal 12 volt secondary, class "H". Removable from below.
- 6. Socket:** Two-pin socket. Pre-wired with #18ga. Teflon 250° leads to junction box.
- 7. Mounting Frame:** Die-cast aluminum suitable for dry or plaster ceilings.
- 8. Retaining Springs:** Rust resistant springs simplify reflector/housing removal for inspection and maintenance.
- 9. Mounting Brackets:** 16 ga. steel. Use 18" (457 mm) mounting bars (optional) or with standard 3/4" (19 mm), 1-1/2" (38 mm) lathing channels (by others) or 1/2" (13 mm) tubing (by others). Adjust vertically from inside of fixture.
- 10. Junction Box:** 14 ga. steel, 4" (102 mm) x 3-1/2" (89 mm x 2" (51 mm) box, allows inspection from below. CSA certified for through branch circuit wiring with maximum of 8 no. 12, 90° C conductors.

Dimming

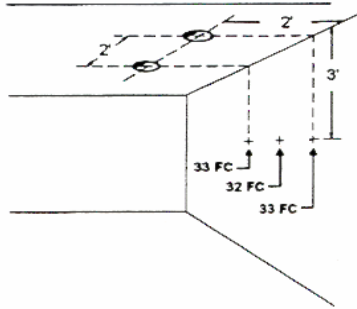
Dimming controls: use only dimmers specifically designed for use with transformers, like Lightolier Onset, Sunrise series LV or VA dimmers, or any Lightolier Controls dimming system. Low voltage fixtures may produce audible noise. Attention should be given for noise sensitive applications.

Accessories

Mounting bars: 1950 (set of 2) 18" (457 mm) long. 1951 (set of 2) 30" (762 mm) long.
T-Bar Anchor Clips : 1956 (set of 4) For anchoring mounting bars to T-Bar runners.

Labels : CSA

Suitable for damp location.



EXAMPLE: With multiple units spaced 2' from wall and 2' on center, the illumination on the wall 3 ft. down the ceiling is as follows: directly beneath fixture - 36 f.c.; between fixtures - 25 f.c.

Footcandle values are averaged and rounded off and tables are based on a minimum of five units. For fixture-to-wall distance, other than those shown, use maximum of 1 to 1 spacing (distance between fixtures + distance to wall) for best results.

**75W MR-16 FL (EYC)
UNITS 2' FROM WALL**

**FOOTCANDLES ON WALL FROM
MULTIPLE UNITS**

DISTANCE BETWEEN UNITS

		2'		3'			
DISTANCE FROM CEILING (FEET)	1'	11	12	11	10	6	10
	2'	31	28	31	25	15	25
	3'	33	32	33	25	20	26
	4'	28	27	28	20	18	20
	5'	22	21	22	16	15	16
	6'	17	17	17	12	12	12
	7'	13	13	13	10	10	10
	8'	11	11	11	8	8	8
	9'	10	10	10	7	7	7

**FOOTCANDLES ON WALL FROM
SINGLE UNIT**

DISTANCE TO SIDE OF UNIT

		1'	2'	3'	4'	5'	
DISTANCE FROM CEILING (FEET)	1'	8	5	1	1	0	0
	2'	21	12	4	1	1	0
	3'	20	14	5	2	1	1
	4'	14	11	5	2	1	1
	5'	9	7	5	2	1	1
	6'	6	5	4	2	1	1
	7'	4	4	3	2	1	1
	8'	3	3	2	2	1	1
	9'	3	2	2	2	1	1

UNITS 3' FROM WALL

DISTANCE BETWEEN UNITS

		3'		4'			
DISTANCE FROM CEILING (FEET)	1'	4	4	4	4	3	4
	2'	9	8	9	8	6	8
	3'	15	13	15	13	9	13
	4'	16	16	16	14	11	14
	5'	15	15	15	12	11	12
	6'	14	13	14	11	10	11
	7'	12	12	12	9	9	9
	8'	10	10	10	8	8	8
	9'	9	9	9	7	7	7

DISTANCE TO SIDE OF UNIT

		1'	2'	3'	4'	5'	
DISTANCE FROM CEILING (FEET)	1'	2	2	1	0	0	0
	2'	6	4	2	1	1	0
	3'	10	7	4	2	1	1
	4'	10	8	5	2	1	1
	5'	8	7	5	3	1	1
	6'	6	6	4	3	2	1
	7'	5	5	3	2	2	1
	8'	4	4	3	2	2	1
	9'	3	3	3	2	1	1

For 42W MR-16 FL (EYP), multiply footcandles above by 0.5.
For 50W MR-16 FL (EXN), multiply footcandles above by 0.7.