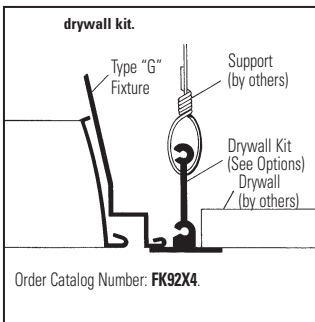
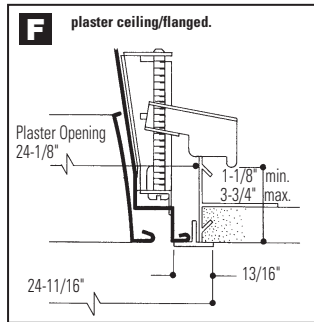
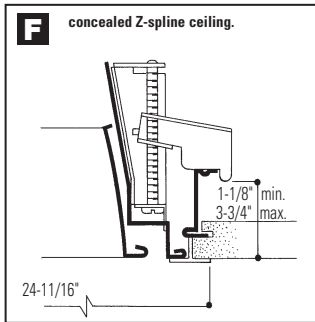
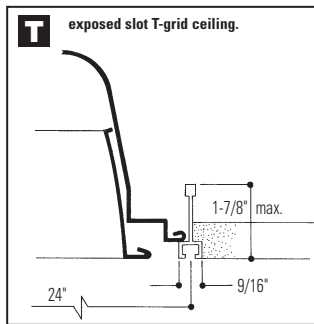
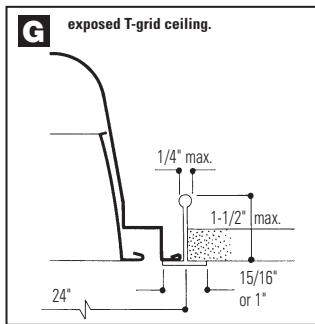


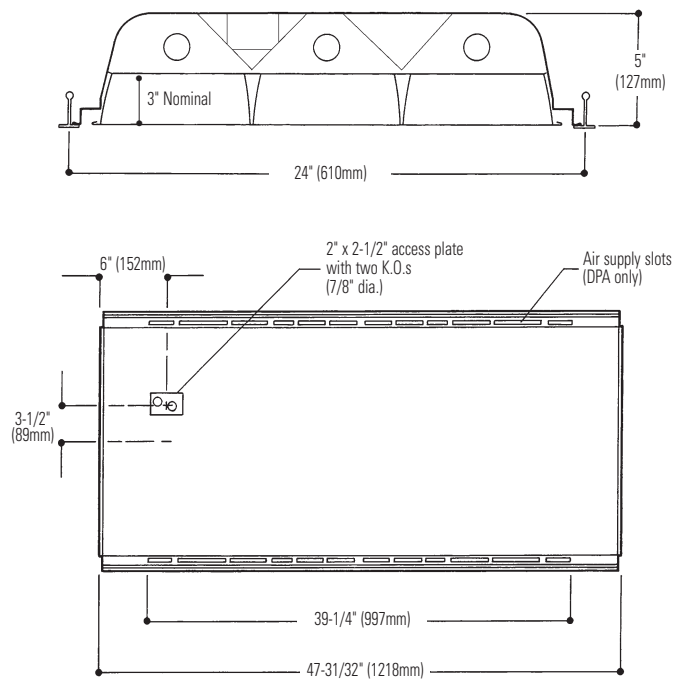
- 5" deep body.
- Individual lamp compartments.
- 77.7% efficient.
- Clean contoured interior.
- Eyeleted heat removal vents in fixture ends.
- One piece housing.
- Black exterior for cooler ballast operating temperature.
- Hemmed over side rails for safe handling.
- Fixture ends turned-in for safe handling.
- Built-in earthquake clips.
- Pre-anodized aluminum parabolic louver.
- Vertical grain louver eliminates reflected lamp images on cross baffle.
- Spring loaded latches.
- 18 gauge steel hinges.
- Louver frame with integral positive light stop.
- Louver has protective film dust guard.
- Construction to meet NYC Code or Chicago Plenum requirements is available.



Mounting Methods



Dimensions



Job Information

Type:

Job Name:

Cat. No.:

Lamp(s):

Volts/Ballast:

For Factory Technical Information: (978) 657-7600 • Fax (978) 658-0595
631 Airport Road, Fall River, MA 02720 • (508) 679-8131 • Fax (508) 674-4710
We reserve the right to change details of design, materials and finish.
www.lightolier.com © 2009 a Philips Group

09/09


Section 2/Folio G51-44 Rev. B

Photometry

Model No. DPA2G18LP33212003

LER = FP - 68.6 IW - 85.9 BF - 0.89

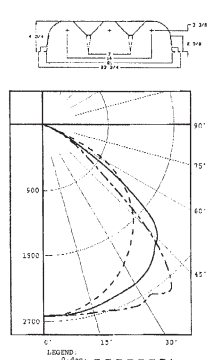
Comparative yearly lighting energy cost per 1000 lumens = \$3.50



INDEPENDENT TESTING LABORATORIES, INC. • 3386 LONGHORN ROAD, BOULDER, CO 80302 USA • PHONE (303) 448-1253 FAX (303) 448-5274

REPORT NUMBER: I7L49563 DATE: 12/27/99
 PREPARED FOR: LIGHTOLIER
 CATALOG NUMBER: DPA2G18LP33212003
 LUMINAIRE: FABRICATED METAL HOUSING WITH WHITE PAINTED INTERIOR FINISH. FABRICATED WHITE PAINTED METAL BALLAST COVERS, FABRICATED SEMI-SPECULAR METAL PARABOLIC 18-CELL LOUVER.
 LAMPS: THREE 32-WATT T-8 F32T89P35 LINEAR FLUORESCENTS.
 BALLAST: MOTOROLA M3-RN-T8-1LL-120 (CUSTOMER SUPPLIED BALLAST FACTOR = 88.7%)
 MOUNTING: RECESSED
 TOTAL REFLECTANCE OF PAINT= 92.8 %
 THE 0 DEGREE PLANE IS PARALLEL WITH THE LAMPS.
 TOTAL INPUT WATTS= 85.9 AT 120.0 VOLTS
 LUMEN TO CANDELA RATIO USED= 9.17
 REPORT IS BASED ON 2850 LUMENS PER LAMP.

0	0	0	22.5	45.0	67.5	90.0
0	5620	2620	2620	2620	2620	2620
5	2613	2619	2621	2626	2622	250
15	2504	2519	2593	2649	2662	734
25	2322	2390	2527	2704	2764	1175
35	2072	2183	2456	2841	2810	1529
45	1744	1920	2313	2154	2017	1557
55	1287	1456	1224	762	698	995
65	520	560	300	240	215	371
75	42	46	23	19	17	28
85	5	5	5	5	3	6
90	0	0	0	0	0	0



ZONAL LUMEN SUMMARY

ZONE	LUMENS	%	FEET
0-30	2150	25.2	32.5
0-40	3698	43.1	55.5
0-60	6240	73.0	93.9
0-90	6645	77.7	100.0
90-180	0	0.0	0.0
0-180	6645	77.7	100.0

TOTAL LUMINAIRE EFFICIENCY = 77.7 %

CIE TYPE = DIRECT
 PLANE
 SPACING CRITERIA : 0-DEG 90-DEG
 SHIELDING ANGLES : 1.2 1.6
 PLANE : 18 38
 LUMINOUS LENGTH : 0-DEG 90-DEG
 LUMINOUS LENGTH : 45.125 21.000

LUMINANCE DATA IN CANDLAYS/M²
 ANGLE AVERAGE AVERAGE AVERAGE
 IN DEG 0-DEG 45-DEG 90-DEG
 45 4025. 5117. 4664.
 55 3659. 3489. 1990.
 65 2012. 1192. 832.
 75 158. 145. 107.
 85 94. 94. 56.

Checked: [Signature]
 Approved: [Signature]

THIS REPORT IS BASED ON PUBLISHED INDUSTRY PROCEDURES - FIELD PERFORMANCE MAY VARY FROM LABORATORY PERFORMANCE.

coefficients of utilization — zonal cavity method

RC	20			20			20		
	70	50	30	50	30	10	50	30	10
1	86	84	81	79	77	75	76	74	73
2	80	75	70	71	67	64	68	65	63
3	74	67	61	63	59	56	61	58	55
4	68	60	54	57	52	48	55	51	48
5	63	54	48	51	46	42	50	45	42
6	58	49	42	47	41	37	45	41	37
7	54	44	38	42	37	33	41	37	33
8	50	40	34	39	33	30	38	33	29
9	47	37	31	36	30	27	35	30	27
10	44	34	28	33	28	24	32	28	24

visual comfort probability (VCP) average 100 fc; reflectances 80/50/20

W	L	ceiling height				ceiling height			
		8.5	10.0	13.0	16.0	8.5	10.0	13.0	16.0
20	20	75	70	67	76	84	80	77	77
20	30	79	74	66	65	86	83	79	75
20	40	82	77	71	66	86	85	82	77
20	60	83	79	74	70	86	85	85	80
30	20	79	75	70	75	87	82	77	76
30	30	83	78	69	65	89	85	79	73
30	40	85	81	73	66	89	86	82	76
30	60	86	83	76	70	89	86	84	79
30	80	86	83	79	73	89	86	85	79
40	20	79	75	74	77	87	82	80	76
40	30	83	80	73	67	89	85	81	74
40	40	85	82	77	69	89	86	84	76
40	60	86	83	79	72	89	86	86	79
40	80	86	83	81	74	89	86	86	79
40	100	86	83	81	74	89	86	86	79
60	30	83	80	73	71	89	85	83	75
60	40	85	81	78	72	89	86	85	78
60	60	86	84	80	74	89	87	87	80
60	80	86	84	82	77	89	87	87	80
60	100	86	84	82	77	89	87	87	80
100	40	85	81	78	72	89	86	85	78
100	60	86	84	80	75	89	87	87	80
100	80	86	84	82	77	89	87	87	80
100	100	86	84	82	77	89	87	87	81

Ordering Information

Explanation of Catalog Number. Example: DPA2G18LP332UNVH3

DP	DY	ND	2	P	3	-	HI				
Deepcel Plus Parabolic: Pre-anodized aluminum louver	Body Style: A=Air Supply S=Static	Fixture Width	Ceiling Type: G= Grid (lay-in T bar) F= Flanged (over lap) Z spline and plaster frame T= Slot grid or two-directional concealed T (see options)	Number of Cells: 18-3 rows of 6 24-3 rows of 8	Louver Finish: L = Low iridescence Semi-specular (standard) P = Low iridescence Specular W = White Baked Polyester Powder	Dual "V" Reflectors	Lamp Quantity	Lamp Type/ Fixture Length: 32-32W T8 28-28W T5 54-54W T5 (Nominal 48")	Voltage: 120, 277 or UNV=120-277	Ballast Type: <20THD SO* O3* PS	Options: Add appropriate suffix to catalog no., ie: (C)
Standard Deepcel	For NYC Code - I.B.E.W. Manufactured	For NYC Code - Local 3 Manufactured 5/2" Deep Body						1 & 2 Lamp Elec. T8 1-3 Lamp Elec. T8 1 & 2 Lamp 28W Elec. T5 1 & 2 Lamp 28W or 54W Elec. T5 1-3 Lamp 54W Elec. T5 LOL T8 Dimming		<10THD HI* H3* PI† PG†† P5††	

Options/Accessories

Plaster Frame: Catalog Number: PF24.
Continuous Row Installation: For F type fixtures, half width flanges are required between fixtures. Order Catalog Number: 2FC TRIM CSP (each joint).
Radio Interference Filter: To order one RIF per fixture; SUFFIX: R.
 To order one RIF per ballast; SUFFIX: B.
Electrical Wiring Options: Consult factory.
Air Closure Strip: SUFFIX: ACS4 (factory installed).
Drywall Kit: Order Catalog Number: FK92X4. (Request Folio OA30-10 Rev. A).
Chicago Plenum: SUFFIX: C.

Specifications

Performance: In an installation of 3 lamp 32W luminaires in a room cavity ratio of 1, reflectance 80% ceiling, 50% wall, 20% floor, the C.U. shall not be less than .84. To prevent glare the VCP shall be not less than 74 either lengthwise or crosswise (at 100fc level) and the average brightness at 65° shall not exceed 2012 candelas per square meter. To control veiling reflections, luminaire output in the 30°-90° zone shall not be less than 67.5%.
Air Handling (DPA only) side air passages for air supply or air return. Supply air is discharged vertically. Optional side closure strips. Air return is also provided through the lamp compartment through fixture body ends.
Materials: Chassis parts are die-formed code gauge cold rolled steel. Housing is ribbed for rigidity with side rails hemmed over and housing ends turned-in for safe handling. Louver is pre-anodized aluminum.

Specifications (continued)

Finish: Chassis exterior—black baked polyester enamel. Cavity—white baked polyester enamel minimum 86% reflectance. Rust preventative undercoating. Louver—low iridescence semi-specular anodized vertical grain aluminum reflector sheet is standard.
Electrical: Thermally protected class "P" ballast C.B.M. approved, non PCB. If K.O. is within 3" of ballast, use wire suitable for at least 90°.
Labels: I.B.E.W. UL and ULc Listed. UL listed for damp locations.
 This product may have a mercury containing lamp.
 Manage in accord with Disposal Laws. See: www.lamprecycle.org

Job Information

Type:

For Factory Technical Information: (978) 657-7600 • Fax (978) 658-0595
 631 Airport Road, Fall River, MA 02720 • (508) 679-8131 • Fax (508) 674-4710
 We reserve the right to change details of design, materials and finish.
 www.lightolier.com © 2009 a Philips Group

Section 2/Folio G51-44 Rev. B