

Maximum versatility, highly efficient and simple to use.

EE/FF SERIES RS OR SL OPEN INDUSTRIAL



OPEN INDUSTRIAL RS OR SL 48", 96" LENGTHS
1 OR 2 LAMP IN A LUMINAIRE CROSS-SECTION
RAPID START OR SLIMLINE

Reflector is embossed for rigidity. Reflector sides are turned up for rigidity. Solid top reflector, EE series. 10% aperture reflector, FF series. Fully enclosed wiring.

Project: _____
 Location: _____
 Catalog No: _____
 Fixture Type: _____
 Mfg: _____ Lamps: _____ Qty: _____
 Notes: _____

Ordering Guide

Explanation of Catalog Number Example: EE248-120SO

Open Industrial	Number of Lamps in a Luminaire Cross Section	Lamp/Fixture Length/Watt:	Voltage	Ballast Type	Options
<input type="checkbox"/> Flat Reflector 4½" Wide x 1½" Deep Channel EE = Solid Top Reflector (Standard) FF = 10% Up-light Reflector	<input type="checkbox"/> 1 or 2	<input type="checkbox"/> 48 = Nominal 48" 32W T8 or 34W T12 48T = Nominal 96" 32W T8 or 34W T12 (Tandem) 96S = Nominal 96" 59W T8 SL or 75W T12 SL	<input type="checkbox"/> UNV = 120/277V 120 = 120V 277 = 277V 347 = 347V	<input type="checkbox"/> CW* = Mag. T12 Cold Weather SO = 1 or 2 Lamp Elect. T8 SC* = Elect. T8 Cold Weather O4 = 4 Lamp Elect. T8 PS = LOL Dimming T8 Elect. * Not Available for SL	<input type="checkbox"/> Add Appropriate Suffix to Catalog No.

Features

- Reflector is embossed for rigidity.
- Reflector sides are turned up for rigidity and safe handling.
- Solid top reflector, standard.
- 10% aperture reflector, optional.
- 4 1/4" wide housing channel.
- Fully enclosed wiring.
- Combination end cap for continuous row mounting.
- Convenience outlet and switch K.O.s provided.
- Optional hangers, wire guards and aligners.
- Optional heavy duty coupling.

Specifications

Materials: Chassis parts are die-formed code gauge cold rolled steel, 1/4" deep X 4 1/4" wide channel.

Reflector: Heavy duty die-formed with deep lateral embossments and return edges for additional stability and uniformity and two quick release quarter turn edges for additional stability and uniformity and two quick release quarter turn fasteners for attachment to housing.

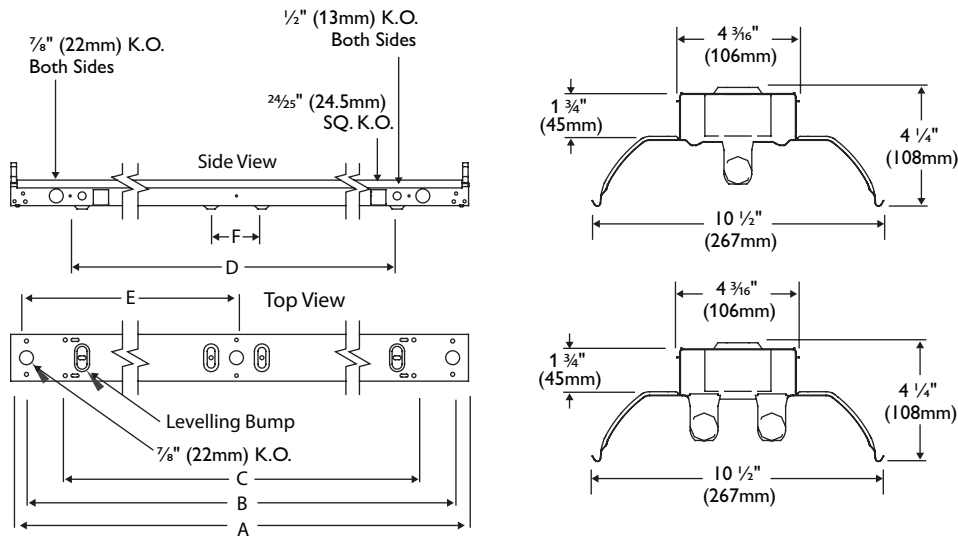
Finish: Chassis baked polyester white enamel. Phosphate undercoating. Reflector-baked white polyester enamel minimum 85% reflectance.

Electrical: Rapid start HPF, thermally protected class "P" ballast C.B.M. certified by E.T.L. If K.O. is within 3" of ballast, use wire suitable for at least 90°.

Labels: Listed by CSA.

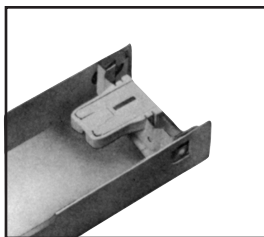
This product may have a mercury containing lamp. Manage in accord with Disposal Laws. See: www.lamprecycle.org

Dimensions

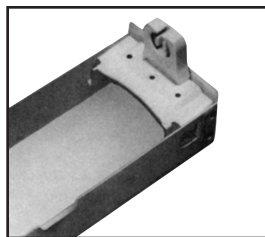


Nominal Length	A	B	C	D	E	F
96"	96" (2438mm)	93 ¹⁵ / ₁₆ " (2386mm)	89 ¹ / ₁₆ " (2262mm)	86 ¹⁵ / ₁₆ " (2208mm)	47" (1194mm)	3 ³ / ₁₆ " (81mm)
48"	48" (1219mm)	45 ¹⁵ / ₁₆ " (1167mm)	41 ¹ / ₁₆ " (1043mm)	38 ¹⁵ / ₁₆ " (989mm)	23" (584mm)	3 ³ / ₁₆ " (81mm)

Mounting Methods/Features



Flipstrip—shipping position



Flipstrip—positioned for installation

Performance

Report Number: LSC6287

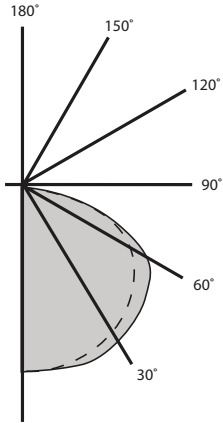
Catalog No: EE248-120SO

Lamp Type: 2F32T8/TL841

Lumens per Lamp: 3050

Lumens Input Watts: 55.5

Total Efficiency: 87.8%



Candela Distribution

Angle	Along	22.5	45.0	67.5	Across	Output Lumens
0	1510	1510	1510	1510	1510	
5	1507	1507	1522	1517	1511	146
10	1481	1493	1505	1535	1513	
15	1449	1458	1498	1526	1523	421
20	1407	1432	1487	1514	1512	
25	1357	1384	1444	1488	1507	662
30	1293	1322	1408	1463	1475	
35	1207	1257	1358	1438	1449	843
40	1125	1182	1309	1407	1423	
45	1029	1099	1246	1348	1375	944
50	923	1009	1177	1277	1305	
55	798	910	1084	1194	1233	939
60	688	813	986	1092	1117	
65	547	714	877	954	953	805
70	419	585	734	735	727	
75	300	460	520	485	469	483
80	160	315	292	237	215	
85	49	131	96	72	57	115
90	6	29	10	14	7	

Coefficients of Utilization

RC	80%				50%				30%			
RW	70	50	30	10	50	30	10	50	30	10		
RCR	Zonal Cavity Method Effective Floor Cavity Reflectance = .20											
Room Cavity Ratio	1	96	91	88	84	86	83	80	82	80	78	
	2	87	79	73	68	74	70	66	72	68	64	
	3	79	69	62	56	66	60	55	63	58	54	
	4	72	61	53	47	58	51	46	56	50	46	
	5	65	54	45	39	51	44	39	49	43	38	
	6	60	48	40	34	45	38	33	44	37	33	
	7	55	43	35	29	40	33	29	39	33	28	
	8	50	38	30	25	36	29	25	35	29	24	
	9	46	34	26	21	32	26	21	31	25	21	
	10	43	31	23	19	29	23	18	29	22	18	

Luminance Data in Candela / Sq. Meter

Angle	Along	45	Across
45	4419	5446	6222
55	4143	5759	6876
65	3728	6169	7218
75	3116	5669	5800
85	1135	2518	2102

Zonal Lumen Summary

Zone	Lumens	% Lamp	% Luminaire
0-30	1229	20.16	22.95
0-40	2072	33.97	38.67
0-60	3954	64.84	73.80
0-90	5358	87.85	100.00
40-90	3286	53.88	61.33
60-90	1403	23.01	26.20
90-180	0	.00	.00
0-180	5358	87.85	100.00

Options/Accessories



Stem and Canopy Sets:

Suspends luminaire 12", 18", 24", 36", 48" from surface and can be used in conjunction with Heavy Duty Slide Grip Hanger.

Catalog Number:

SV5F12 (12"), **SV5F18** (18"),
SV5F24 (24"), **SV5F36** (36"),
SV5F48 (48").



Canopy Spacer (1½")

Suspends luminaire approximately 1½" from surface.

Catalog Number: **STSK**



Reflector Row Aligners

Tough, plastic aligners for luminaire reflectors.

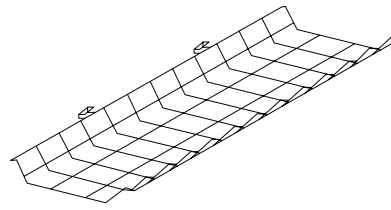
Catalog Number: **EE9RA**



Chain Hanger Kit:

Two 24" heavy duty link chains with sturdy "V" hooks that grip luminaires at four knockout points for level suspension.

Catalog Number: **EE9HC**



Wire Guards:

Hinge and latch positive-lock construction, complete with longitudinal and transverse struts for secure protection.

Catalog Number: **EE9G4**



Twist Tee Hanger

For installation of 4½" wide (channel) luminaire on exposed "T" grid ceilings or hard surfaces. Provides 1½" clearance from surface.

Catalog Number: **EE9H1**



© 2013 Koninklijke Philips N.V. All rights reserved.
Specifications are subject to change without notice.
www.philips.com/luminaires

Philips Lighting Company
200 Franklin Square Drive
Somerset, NJ 08873
Phone: 855-486-2216

Philips Lighting Company
281 Hillmount Road
Markham ON, Canada L6C 2S3
Phone: 800-668-9008