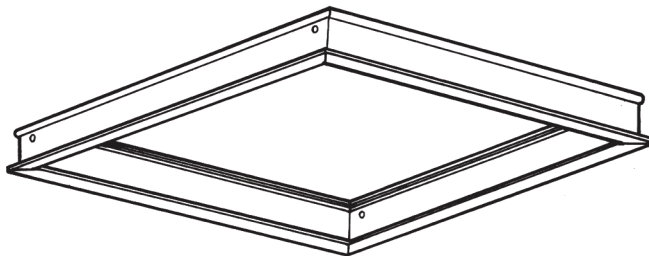


DRYWALL KIT Mounting Frame Assembly

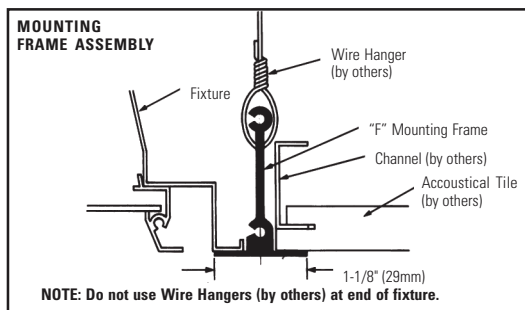
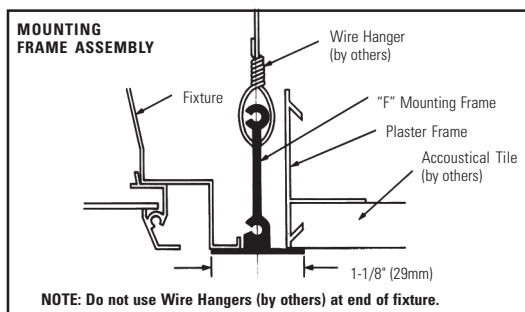
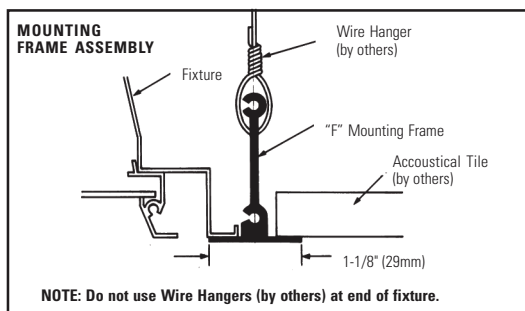
8"X48", 20'X60', 20'X48', 1'X4', 2'X2', 2'X4'
FOR MOUNTING IN DRYWALL OR
CEILINGS REQUIRING FLANGES

Features

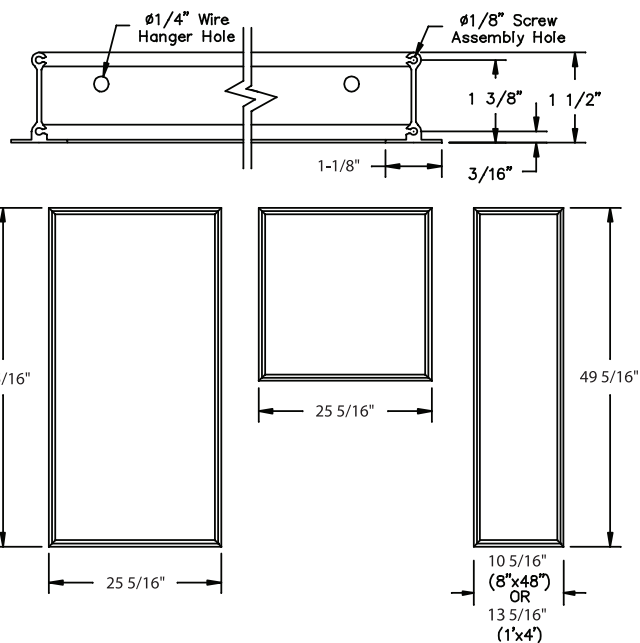
- Designed to permit use of grid (NEMA G) luminaires in ceilings requiring flanges.
- May be used with any G type or AA CFI Fluorescent troffer.
- Extruded aluminum construction with mitered corners.
- Includes screws for complete assembly.
- System available for continuous row mounting.



Mounting Methods



Dimensions



Job Information

Type:

Job Name:

Cat. No.:

Lamp(s):

Volts/Ballast:

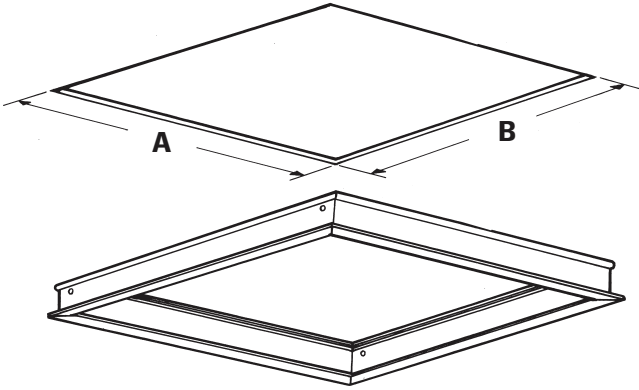
C.F.I. A PRODUCT BRAND OF CANLYTE, INC.
525 EDUCATION ROAD, CORNWALL, ONTARIO, CANADA K6H 6C7 - (613) 938-6221
WE RESERVE THE RIGHT TO CHANGE DETAILS OF DESIGN, MATERIALS AND FINISH.
© 2007 GENLYTE THOMAS GROUP LLC (LIGHTOLIER DIVISION)
A0902
www.canlyte.com

TD-0200-02-R4

DRYWALL KIT Mounting Frame Assembly

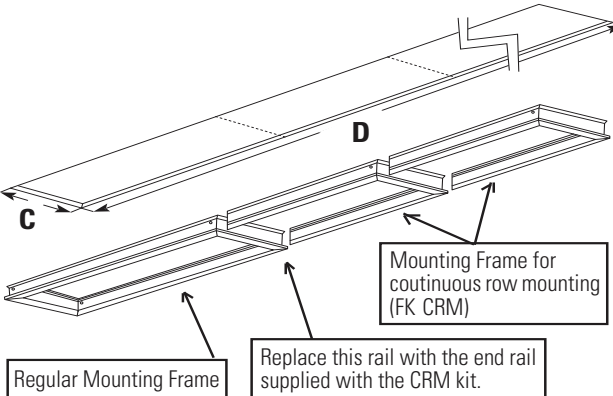
8''X48'', 20''X60'', 20''X48'', 1'X4', 2'X2', 2'X4'
FOR MOUNTING IN DRYWALL OR
CEILINGS REQUIRING FLANGES

A) SINGLE LUMINAIRE INSTALLATION



- Includes screws for complete assembly.
- May be used for continuous row mounting using FK CRM (see ordering information matrix).
- Not suitable for Paralyte Series (2 x 2, 2 x 4) and ADS8

B) ROW INSTALLATION



- Includes screws for complete assembly.
- For continuous row mounting, use one regular FK with multiple FK CRM (see ordering information below)
- Not suitable for Paralyte Series (2 x 2, 2 x 4) and ADS8
- Remove end rail from the regular mounting frame and replace with rail supplied with CRM kit.

ORDERING INFORMATION

CATALOGUE NUMBER	LUMINAIRE SIZE	SINGLE LUMINAIRE CEILING OPENING		ROW INSTALLATION CEILING OPENING	
		A	B	C	D
FK907X4	7.5''x48''	8 5/8'' (219mm)	48-5/8''(1235mm)	X	X
FK908X4	8''x48''	9 3/4'' (248mm)	48-5/8''(1235mm)	X	X
FK920X4	20''x48''	20 5/8'' (524mm)	48-5/8''(1235mm)	X	X
FK20X60	20''x60''	20 5/8'' (524mm)	60-5/8''(1540mm)	X	X
FK91X4	1'x4'	12-5/8''(321mm)	48-5/8''(1235mm)	12-5/8''(321mm)	D [†]
FK91X4CRM	1'x4'	X	X		
FK92X4	2'x4'	24-5/8''(626mm)	48-5/8''(1235mm)	24-5/8''(626mm)	D [†]
FK92X4CRM	2'x4'	X	X		
FK92X2	2'x2'	24-5/8''(626mm)	24-5/8''(626mm)	X	X

D[†] = 48-5/8'' + [(# of fixture - 1) x 48-3/16] OR D = 1235mm + [(# of fixture - 1) x 1224mm
Example: Row of 3 luminaires: D = 48-5/8'' + [(3-1) x 48-3/16] = 145'' or 3683 mm

SPECIFICATIONS

FINISH: Extruded aluminium construction with mitered corners. White baked polyester enamel minimum 85% reflectance. Phosphate undercoating.

Job Information

Type:

C.F.I. A PRODUCT BRAND OF CANLYTE, INC.
 525 EDUCATION ROAD, CORNWALL, ONTARIO, CANADA K6H 6C7 - (613) 938-6221
 WE RESERVE THE RIGHT TO CHANGE DETAILS OF DESIGN, MATERIALS AND FINISH.
 © 2007 GENLYTE THOMAS GROUP LLC (LIGHTOLIER DIVISION)
 A0902
www.canlyte.com

TD-0200-02-R4