

TX 248

THE WRAP

9" WIDE 2 5/8" DEEP SURFACE FLUORESCENT
WRAPAROUND LENS
2 LAMP, FLUORESCENT
T8 OR T12

- Ideal for low ceiling height applications where recessed units cannot be used.
- 2 5/8" total depth.
- Step-back housing for an apparent depth of 1 3/8".
- Efficiency 76%. (T8)
- A shallow profile and linear prismatic sides combine to reduce ceiling contrast.
- Virgin acrylic lens with one-piece extruded prismatic bottom and side walls.
- Shielding hinges from either side (self-leveling).
- Full-length ballast cover snaps-in, snaps-out (no tools).
- Individual or continuous row installations.
- Suitable for mounting on low-density cellulose fiber-board surfaces using supplied spacers.

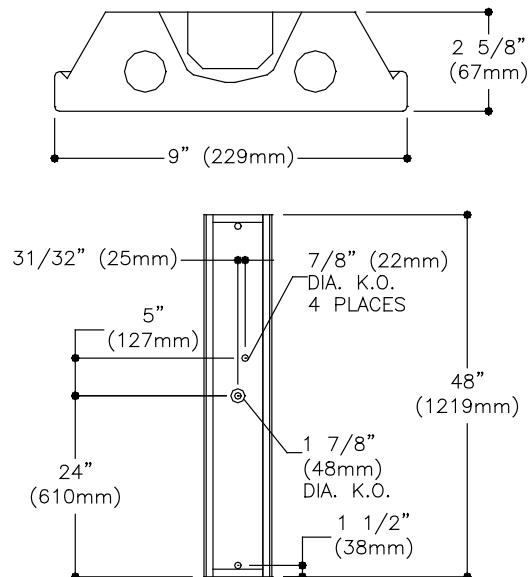


MOUNTING METHODS/FEATURES



Shielding hinges from either side
(self-leveling)

DIMENSIONS

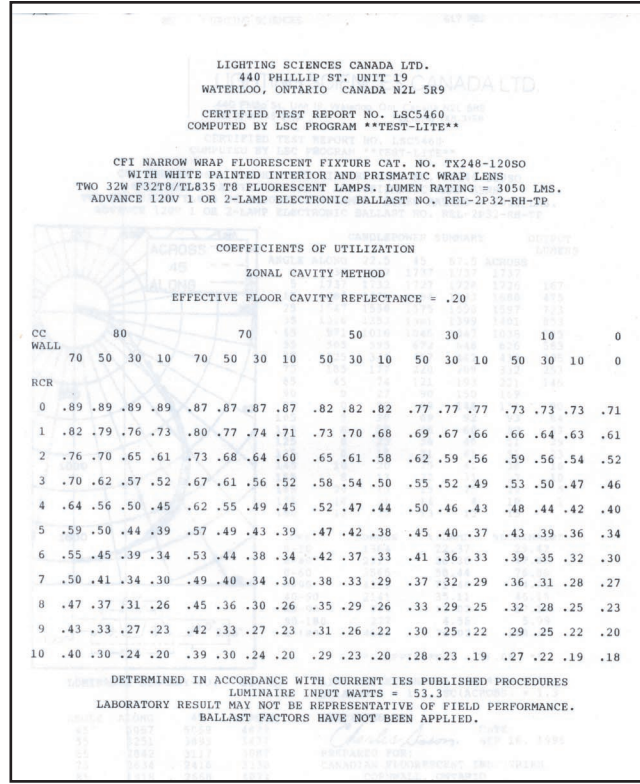
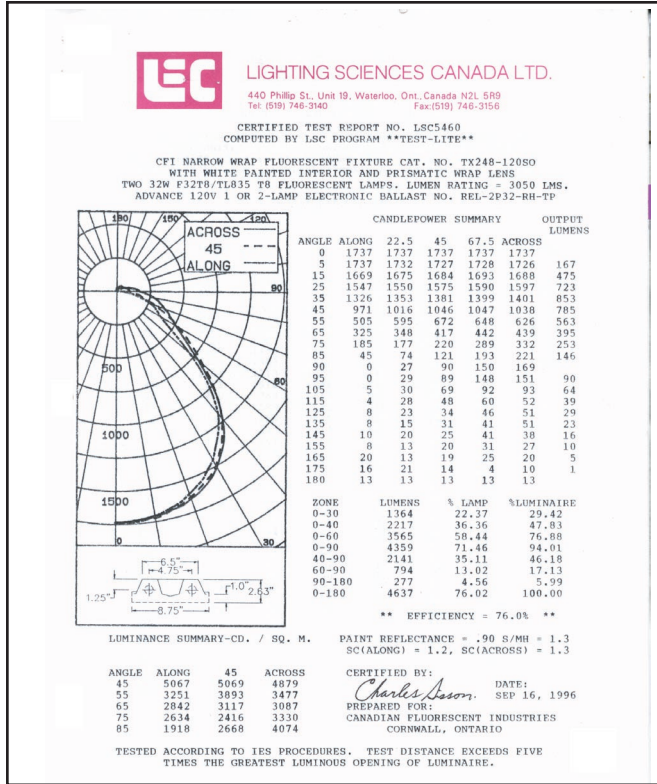


FIXTURE TYPE	VOLTS
JOB INFORMATION: _____	

CFI FLUORESCENT

PHOTOMETRY

MODEL NO. TX248-120SO



ORDERING INFORMATION Explanation of Catalogue Number Example: TX248-120SO

TX	2	48	-	120	SO	□
THE WRAP SURFACE LUMINAIRE	LAMP QUANTITY	LAMP/FIXTURE LENGTH: 48 = nominal 48" 32W T8 or 34W T12		VOLTAGE: 120 = 120V 277 = 277V 347 = 347V	BALLAST TYPE: LE = T12 Magnetic SO = T8 Electronic	OPTIONS: Add appropriate suffix to catalog

OPTIONS/ACCESSORIES

Electrical/Wiring Options: For special wiring or emergency packs, consult factory.
Internal Fusing: Consult your CFI Fluorescent representative.
Canopy Spacer: Suspends luminaire 1 1/2" from surface. Order catalogue number **STSK**.
Stem and Canopy: Suspends luminaire 12", 18", 24", 36" or 48" from surface. Order catalogue number **STKF12** (12"), **STKF18** (18"), **STKF24** (24"), **STKF36** (36"), **STKF48** (48") (White finish).

SPECIFICATIONS

PERFORMANCE: In a installation of 2 lamp 32W luminaires in a room cavity ratio of 1, with reflectance of 80% ceiling, 50% walls, 20% floor, the C.U. shall not be less than .79. To reduce glare the the average luminance at 65° shall not exceed 3117 candelas per square meter. To control ceiling reflections, luminaire output in the 30°-90° zone shall be not less than 70.5%.

MATERIALS: Chassis parts are die-formed code gauge cold rolled steel. Housing is reinforced for rigidity. Refractor - one-piece virgin acrylic.

FINISH: Chassis exterior - white baked polyester enamel. Cavity - white baked polyester enamel minimum reflectance 86%. Phosphate undercoating.
LENS: One-piece extruded prismatic bottom and side walls with diamond shape square based male conical prisms on horizontal surface.
ELECTRICAL: Rapid start HPF, E blej thermally protected class "P" ballast C.B.M. certified by E.T.L. If K.O. is within 3" of ballast use wire suitable for at least 90°.

LABELS: Listed by US

We reserve the right to change, materials and finish in any way that will not alter installed appearance or reduce function and performance.