

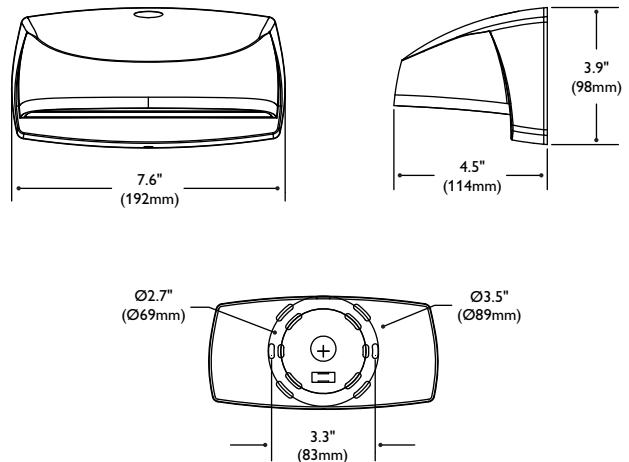
Features

- 555 lumen system providing advantageous replacement of 35W HPS, 28W CFL or 100W incandescent with only 13W energy consumption.
- Provides safety and security in residential and light commercial applications in locations such as entrances, over garages, illuminate house numbers, wall signs, and located along perimeters and pathways.
- Seven high-output LEDs having an average rated life of 60,000 hours (L₇₀)
- Patented Philips LED Optical System individually controls the placement of light in the target area minimizing glare.
- 4000K neutral colour temperature delivers light with minimal waste
- Type III distribution with shielded optics and minimal uplight.
- Individual precision collimating optics collects and re-directs light to optimize performance.
- Functions in environments with temperatures that range from -30°C to 40°C.
- Housing constructed of heavy die cast aluminum and fully gasketed.
- Corrosion resistant Duraplex II polyester powder coated finish available in white and titanium.
- Fully enclosed bottom and protected with clear acrylic lens.
- Electronic Class II LED driver accepts 120-220V, 50/60Hz input (constant current).
- Universal mounting plate with hook and lock mounting, including built-in bubble level for accuracy, and complete with integral splice chamber.
- Optional field installed button-type photocontrol for automatic all night light. Order catalogue number P105A.
- Patent Pending Design.
- cETLus tested suitable for wet location
- 5 year Standard Limited Warranty

Provides 555 lumens



Dimensions



Ordering information

Explanation of catalog number: Example: LP7T



Canlyte
3015 Louis-Amos, Lachine, Québec H8T 1C4
canlyte-info@philips.com • (514) 636-0670 • www.canlyte.com
SD0958 September 18, 2012.
Specifications are subject to change without notice.
© Koninklijke Philips Electronics N.V., 2011. All rights reserved.

Job Information

Type:

Job Name:

Cat. No.:

Lamp(s):

Notes: