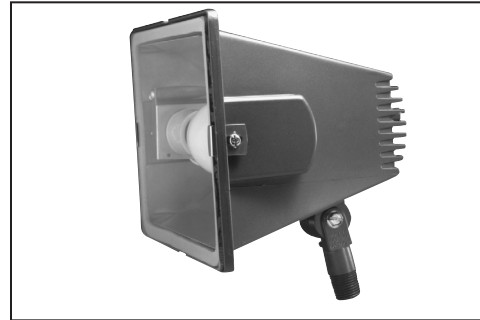


Features

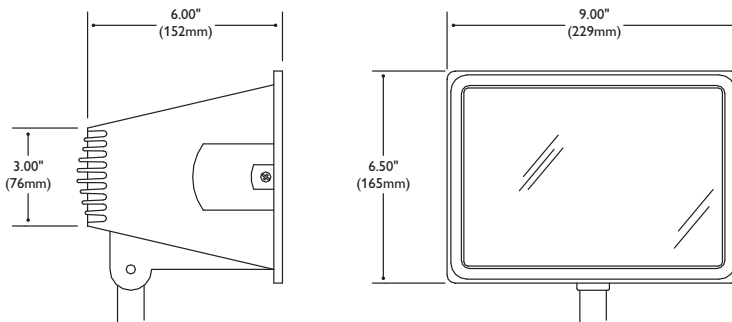
- Wide beam spread in a compact design
- Housing constructed of one-piece die-cast aluminum. Standard finish is Duraplex IITM Bronze Electrostatic Powder coat.
- 120V Reactor ballast integrally mounted to ribbed die-cast housing.
- Porcelain, 4 kV pulse-rated, grip-type Medium based-socket lampholder prevents lamp loosening.
- Lens Frame and Lens are gasketed and clamped tight to housing for a weather-tight seal.
- Equipped with an adjustable 1/2" NPS arm for easy mounting.
- 1 year limited warranty.

Available in 70W or 150W

High Pressure Sodium



Dimensions



Ordering Information

Explanation of catalog number: Example: TLF150NLXL-1

TLF		N	LX	L	-	1
Series: TLF: TLF Series	Lamp Wattage: 070 = 70W 150 = 150W	Ballast Type: N = Reactor (NPF)	Light Source: LX = High Pressure Sodium	Lamp Included: L = Yes Blank = No		Voltage: 1 = 120V

1 MA (50W); LX (50, 70W)



Canlyte
3015 Louis-Amos, Lachine, Québec H8T 1C4
canlyte-info@philips.com • (514) 636-0670 • www.canlyte.com
SD0311 December 13, 2012.
Specifications are subject to change without notice.
© Koninklijke Philips Electronics N.V., 2011. All rights reserved.

Job Information

Type:

Job Name:

Cat. No.:

Lamp(s):

Notes: