

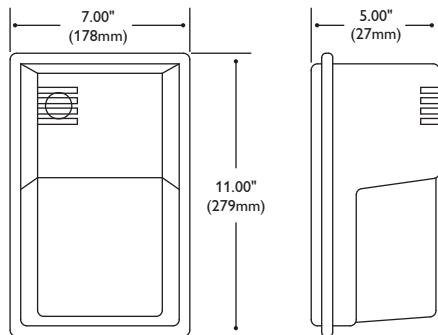
Features

- Security, accent and perimeter lighting over entrance-ways, garages and alleys.
- Housing is constructed of durable, vandal resistant polycarbonate. Standard finish is textured dark Bronze.
- Optics constructed of non-yellowing, U.V. stabilized polycarbonate.
- Porcelain, 4 kV pulse-rated, grip-type Medium based socket lampholder prevents lamp loosening.
- All units supplied with clear, Medium based lamp, E17.
- Wall mounted applications.
- 1 year limited warranty.
- All units supplied standard with reactor (NPF) ballasts.

Available in 35 to 70W High Pressure Sodium



Dimensions



Ordering Information

Explanation of catalog number: Example: TLW050NLXLPC-1W

TLW					PC	-	1	
Series: TLW: TLW Series	Lamp Wattage ¹ : 035 = 35W 050 = 50W 070 = 70W	Ballast Type: N = Reactor (NPF)	Light Source: LX = High Pressure Sodium	Lamp Included: L = Yes	Options: PC= Built-in Photocontrol		Voltage: 1 = 120V	Colour: Blank = Textured Dark Bronze W = Smooth White ²

1 NLX (35, 50, 70W)
2 Not available in 35W



Canlyte
3015 Louis-Amos, Lachine, Québec H8T 1C4
canlyte-info@philips.com • (514) 636-0670 • www.canlyte.com
SD0283 December 13, 2012.
Specifications are subject to change without notice.
© Koninklijke Philips Electronics N.V., 2011. All rights reserved.

Job Information	Type:
Job Name:	
Cat. No.:	
Lamp(s):	
Notes:	