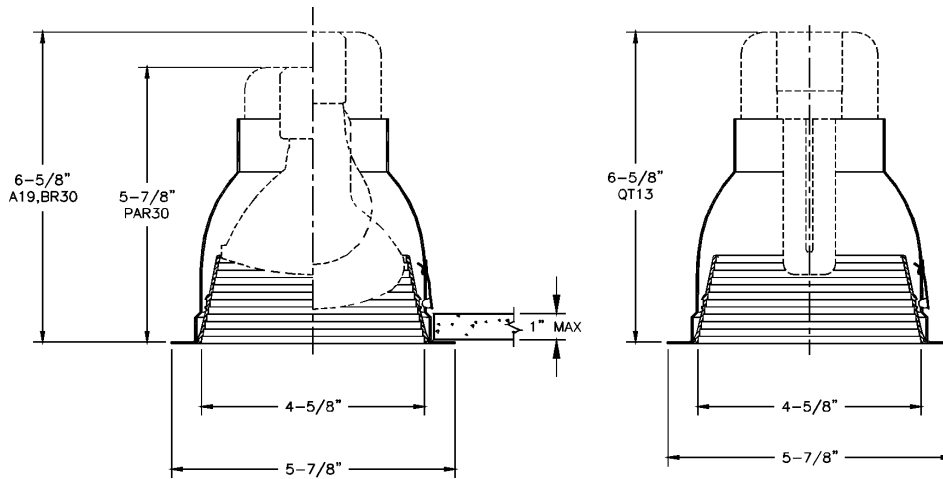




**5 1/4" Aperture**  
**Premium Die-Cast Step Baffle**

**Lytecaster**  
**Recessed Downlight**

**1005**



**Ceiling Opening : 5 1/4"**

**Complete fixture consists of Reflector Trim & Frame-in Kit. Select each separately**

REFLECTOR TRIM	INCANDESCENT F.I.K.			COMPACT FLUORESCENT F.I.K.	
	NON-IC	IC	IC AIRSEAL	NON-IC	IC
<b>1005</b> Black Baffle <b>1005WH</b> White Baffle	<b>1002</b> 75W PAR-30 85W BR-30 100W A-19 REMODELER <b>1003RS-CDN</b> 75W PAR-30 85W BR-30 100W A-19	<b>1002IC</b> 75W PAR-30 75W BR-30 40W A-19 REMODELER <b>1004ICRS-CDN</b> 50W PAR-30 60W BR-30	<b>1004IC-CDN</b> 50W PAR-30 60W BR-30 REMODELER <b>1004ICRS-CDN</b> 50W PAR-30 60W BR-30	<b>1002F1</b> (120V) 1 x 13W QT <b>1002FH1</b> (120V) 2 Pin (GX23-2) <b>1002FH3</b> (347V)	<b>1002FH1IC</b> (120V) 1 x 13W QT 2 Pin (GX23-2)

**Features**

**Reflector** : Hydroformed aluminum, .032" thick ; Anobrite (anodic-processed) semi-specular finish for permanent reflectivity; white trim flange.

**Step Baffle** : Die-cast aluminum with stepped conical surface for low brightness, black or white finish.

**Frame-In-Kit**

**Note** : For complete Frame-In-Kit specifications, see sheet **1102 , 1102IC , 1103R , 1104IC , 1104ICR , 1102F and 1102FIC**

**Accessories**

**Retaining clips** : **1955** (set of 100) For installation in existing ceilings. For all trims except white and Alzak reflectors.

**Extra Wide Flange Trim Ring** : **1957** ; For most 1000 series Reflector Trim. O.D. 7".

**Labels : CSA**

Suitable for damp locations.

**LIGHTOLIER**®

WE RESERVE THE RIGHT TO CHANGE DETAILS OF DESIGN, MATERIALS AND FINISH, IN ANY WAY THAT WILL NOT ALTER INSTALLED APPEARANCE OR REDUCE FUNCTION AND PERFORMANCE.

**Lightolier CFI, 3015 Louis Amos Lachine, (Quebec) H8T 1C4**