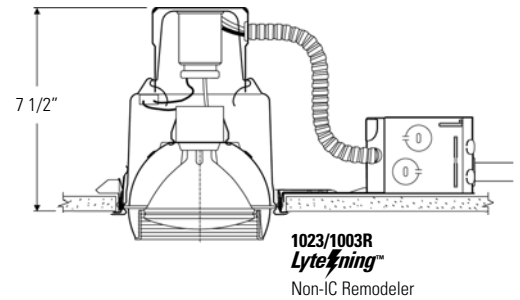
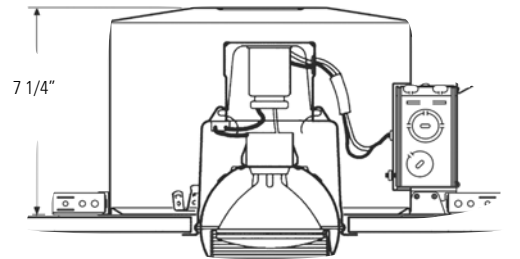


1023/1002P1 Series
Standard Incandescent



1023/1003R
LyteFiner™
Non-IC Remodeler



1023/1004ICX/N
LyteFiner™
AirSeal® Insulated Ceiling

Complete Fixture consists of Reflector Trim & Frame-In Kit. Select each separately.

Reflector Trim	Frame-In Kit — See Individual Frame-In Kit Specification Sheets			
	Frame-In Kit	Installation Type	Lamping	Height
1023 Matte White with Matte Black Step Baffle	1002P1	Non-IC	75W PAR30	6 7/8"
	1003R	Non-IC Remodeler		7 1/2"
1023WH Matte White with Matte White Step Baffle	1000IC	IC	75W PAR30	7 5/16"
	1000AICM	AirSeal® IC		7 5/16"
	1004ICX/N	AirSeal® IC		7 1/4"

Features

- Housing:** Aluminum, (18 ga.) ; matte white trim flange.
- Eyeball Housing:** Die-formed, one piece, aluminum, (18 ga.); provides 358° horizontal rotation and 0° to 30° vertical adjustment; matte white finish.
- Step Baffle:** .040" thick (18 ga.) aluminum with stepped conical surface for low brightness; precision-fitted into eyeball housing; matte black or matte white finish.
- Frame-In Kit:** (1002P1 standard frame shown). Other frames listed above and shown on the right. See Frame-In Kit specification sheets for more details.

Options & Accessories

Retaining Clips: 1955 - For Installing in Existing Ceiling

Extra Wide Flange Trim Ring: 1957 - 7" O.D.

Labels

UL (Suitable for Damp Locations), I.B.E.W.

Job Information	Type:
Job Name:	
Cat. No.:	
Lamp(s):	
Notes:	

Lightolier a Genlyte company www.lightolier.com
 631 Airport Road, Fall River, MA 02720 • (508) 679-8131 • Fax (508) 674-4710
 We reserve the right to change details of design, materials and finish.
 © 2006 Genlyte Group LLC • F0906



Lighting Performance Data																												
	Narrow				Medium				Wide																			
	50W PAR30 NSP (T-H)				75W PAR30 NSP (T-H)				50W PAR30 NFL (T-H)				75W PAR30 NFL (T-H)				50W PAR30 FL (T-H)				75W PAR30 FL (T-H)							
DISTANCE 0' 1' 2' 3' 4' 5' 6'																												
FOOTCANDLES (On Beam Center At 6')	181				291				49				83				31				50							
BEAM SPREAD (To 50% Max. CP)	12'				12'				32'				32'				42'				42'							
MAX. CANDLEPOWER (Candelas)	6,500				10,500				1,750				3,000				1,100				1,800							
RATED LIFE (Hours)	2,000				2,000				2,000				2,000				2,000				2,000							
0° AIMING ANGLE Illumination on Horizontal Plane																												
	D	FC	L	W	D	FC	L	W	D	FC	L	W	D	FC	L	W	D	FC	L	W	D	FC	L	W	D	FC	L	W
	6'	181	1.3'	1.3'	8'	164	1.7'	1.7'	4'	109	2.3'	2.3'	6'	83	3.4'	3.4'	3'	122	2.3'	2.3'	4'	113	3.1'	3.1'				
30° AIMING ANGLE Illumination on Horizontal Plane																												
	D	FC	L	W	D	FC	L	W	D	FC	L	W	D	FC	L	W	D	FC	L	W	D	FC	L	W	D	FC	L	W
	5'	169	1.4'	1.2'	7'	139	2.0'	1.7'	3'	126	2.4'	2.0'	5'	78	3.9'	3.3'	3'	79	3.2'	2.7'	3'	130	3.2'	2.7'				
30° AIMING ANGLE Illumination on Vertical Plane																												
	D	FC	L	W	D	FC	L	W	D	FC	L	W	D	FC	L	W	D	FC	L	W	D	FC	L	W				
	2'	203	1.7'	0.8'	3'	146	2.6'	1.3'	1'	219	3.0'	1.1'	2'	94	6.1'	2.3'	1'	138	5.5'	1.5'	1'	255	5.5'	1.5'				

Data are based on bare lamp photometrics.
FC is initial footcandles at center of beam. L and W are to the point that the candlepower drops 50% of maximum.

Beam Center Location

Distance D (ft.)	1	2	3	4	5	6	7	8	9	10
Distance C (ft.)	1.7	3.5	5.2	6.9	8.7	10.4	12.1	13.8	15.6	17.3

This chart locates the distance (C) to the center of the light beam for various distances (D) when the lamp is aimed 30° from vertical, the preferred aiming angle for lighting pictures on wall.

Job Information	Type:
------------------------	--------------

Lightolier a Genlyte company www.lightolier.com
 631 Airport Road, Fall River, MA 02720 • (508) 679-8131 • Fax (508) 674-4710
 We reserve the right to change details of design, materials and finish.
 © 2006 Genlyte Group LLC • F0906