

1035/1004CX/N
Lytecaster™
AirSeal® Insulated Ceiling

Complete Fixture consists of Reflector Trim & Frame-In Kit. Select each separately.

Reflector Trim	Frame-In Kit — See Individual Frame-In Kit Specification Sheets							
	LED				Fluorescent			
	Frame-In Kit	Installation Type	Lamping	Height	Frame-In Kit	Ceiling Type	Lamping	Height
1035 White plate with matte black step baffle	1001LED	Non-IC	LED	6 3/4"	1001F13U Series	UniFrame™ Non-IC	(1) Triple 13W (GX24q-1)	5 7/8"
	1001LEDEM	Non-IC EM	LED	6 3/4"				
1001LEDREM	Non-IC Remodeler	LED	6 3/4"					
L56LED	Non-IC Retrofit	LED	6 3/4"					
1035WH White plate with matte white step baffle	Incandescent				1001F18U Series	UniFrame™ Non-IC	(1) Triple 18W (GX24q-2)	5 7/8"
	1002P1	Non-IC	60W A19	6 3/4"	1004F13 Series	IC	(1) Quad/Triple 13W (GX24q-1)	7 1/2"
	1000P1	Non-IC	75W BR30	6 3/4"	1004F18 Series	IC	(1) Triple 18W (GX24q-2)	7 1/2"
	1003R	Non-IC Remodeler	60W A19 85W BR30	6 3/4"	1004F26 Series	IC	(1) Triple 26W (GX24q-3)	7 1/2"
	1000IC	IC	40W A19	7 5/16"	1001F13ICU/N	Performance IC	(1) Triple 13W (GX24q-1)	7 1/4"
	1000AICM	AirSeal® IC		7 5/16"	1001F18ICU/N	Performance IC	(1) Triple 18W (GX24q-2)	7 1/4"
	1004ICX/N	AirSeal® IC		7 1/4"	1910XFH1	Conversion Kit	(1) Quad 13W (GX23-2)	6 3/4"

Features

- Reflector:** Hydroformed aluminum, .040" thick, (18 ga.); Anobrite® (anodic-processed) semi-specular finish for permanent reflectivity; matte white trim flange.
- Step Baffle:** Die cast aluminum with stepped conical surface for low brightness, matte black or matte white finish.
- Aperture Plate:** Semi-circular; die formed steel; matte white or gloss white; spin locked to step baffle; snaps out with step baffle and scoop reflector by means of concealed retaining springs for relamping.
- Scoop Reflector:** Hydroformed aluminum, .040" thick (18 ga.); Anobrite® (anodic processed) semi-specular finish for permanent high reflectivity; provides an even wash of light over wall surfaces without scallops or shadows.
- Frame-In Kit:** (1002P1 standard frame shown). Other frames listed above and shown.

Options & Accessories

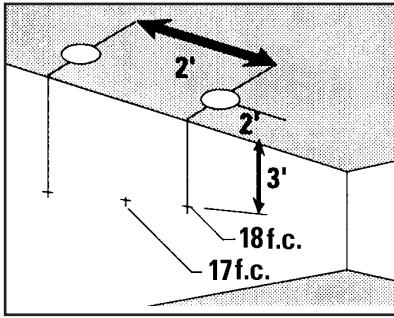
- Retaining Clips:** 1955 - For Installing in Existing Ceiling
Extra Wide Flange Trim Ring: 1957 - 7" O.D.
Spread Lens: L56WWLENS - Proprietary spread lens for use with combination of wall washer optics and LED Frame-In Kits.

Labels

UL (Suitable for Damp Locations), I.B.E.W.

Job Information	Type:
Job Name:	
Cat. No.:	
Lamp(s):	
Notes:	

Lightolier a Genlyte company www.lightolier.com
 631 Airport Road, Fall River, MA 02720 • (508) 679-8131 • Fax (508) 674-4710
 We reserve the right to change details of design, materials and finish.
 © 2011 Genlyte Group LLC • I1111



LIGHTING DATA

EXAMPLE: Multiple units with 75W BR30 FL lamps, located 2' from wall and 2' on center, provide illumination on the wall 3' down from the ceiling of 18 f.c. beneath and 17 f.c. between the fixtures.

FOOTCANDLES ON WALL FROM MULTIPLE UNITS

60W A19							
UNITS 2 FEET FROM WALL							
	2'			3'			
DISTANCE FROM CEILING, FT.	1	17	16	17	12	9	12
	2	18	18	18	13	11	13
	3	13	13	13	9	8	9
	4	9	9	9	6	6	6
	5	6	6	6	4	4	4
	6	4	4	4	3	3	3
	7	3	3	3	2	2	2
	8	2	2	2	1	1	1
	9	2	2	2	1	1	1

13W Quad Tube							
UNITS 2 FEET FROM WALL							
	2'			3'			
DISTANCE FROM CEILING, FT.	1	8	8	8	7	4	7
	2	11	11	11	8	7	8
	3	9	9	9	6	6	6
	4	6	6	6	4	4	4
	5	4	4	4	3	3	3
	6	3	3	3	2	2	2
	7	2	2	2	1	1	1
	8	1	1	1	1	1	1
	9	1	1	1	1	1	1

75W BR30 FL							
UNITS 2 FEET FROM WALL							
	2'			3'			
DISTANCE FROM CEILING, FT.	1	24	23	24	16	16	16
	2	20	20	20	16	12	16
	3	18	17	18	12	12	12
	4	13	13	13	9	9	9
	5	9	9	9	7	6	7
	6	7	7	7	5	5	5
	7	5	5	5	4	4	4
	8	4	4	4	3	3	3
	9	3	3	3	3	3	3

Footcandle values are averaged and rounded off and are based on a minimum of five units.

For fixture-to-wall distances, other than those shown, use maximum of 1 of 1 spacing (distance between fixtures not more than distance to wall) for best result.

To convert lighting data for a lower wattage incandescent lamp of the **same type**, multiply the footcandle values by the ratio of the lumens of the two lamps.

Job Information	Type:
------------------------	--------------

Lightolier a Genlyte company www.lightolier.com
 631 Airport Road, Fall River, MA 02720 • (508) 679-8131 • Fax (508) 674-4710
 We reserve the right to change details of design, materials and finish.
 © 2011 Genlyte Group LLC • I1111