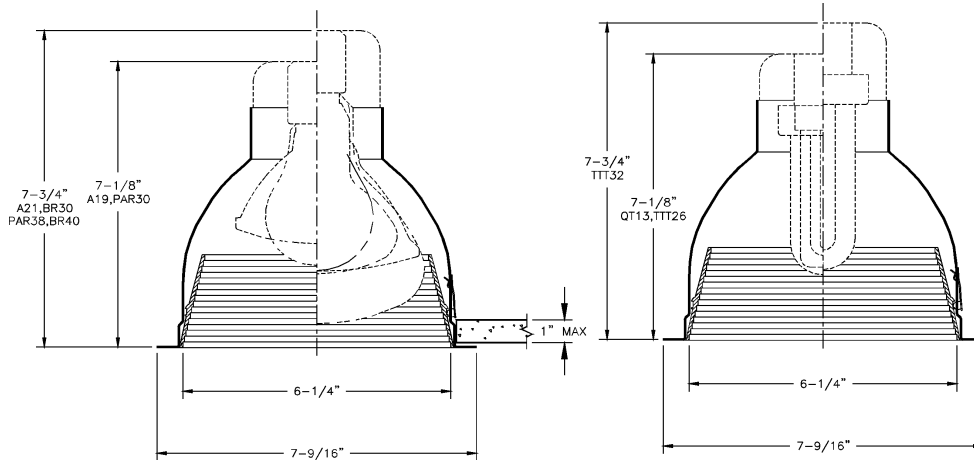


**6 3/4" Aperture
Premium Die-Cast Step Baffle**

**Lytecaster
Recessed Downlight**

1105



Ceiling Opening : 6 3/4"

Complete fixture consists of Reflector Trim & Frame-in Kit. Select each separately

REFLECTOR TRIM	INCANDESCENT F.I.K.			COMPACT FLUORESCENT F.I.K.	
	NON-IC	IC	IC AIRSEAL	NON-IC	IC
1105 Black Baffle	1102	1102IC	1104IC-CDN	1102F1 (120V)	1102FH1IC (120V)
1105WH White Baffle	150W PAR-38	90W PAR-38	75W PAR-38	1 x 13W QT	1 x 13W QT
	150W BR-40	100W BR-40	65W BR-40	2 Pin (GX23-2)	2 Pin (GX23-2)
	150W A-21	60W A-19	40W A-19	1102FH3 (347V)	
	REMODELER		REMODELER	1102D1 (120V)	
	1103RS-CDN		1104ICRS-CDN	1102DH1 (120V)	
	150W PAR-38		75W PAR-38	2 Pin (GX23-2)	
	150W BR-40		65W BR-40	1102DH3 (347V)	
	150W A-21		40W A-19	1102P32VC120	
				1 x 26/32W TTT	
				4 Pin (GX24q-3)	
				1102P26VG120	1102P26VG120IC
				1 x 26W TTT	1 x 26W TTT
				1102P26VG347	1102P26VG347IC
				4 Pin (GX24q-3)	4 Pin (GX24q-3)
				1102P32VG120	1102P32VG120IC
				1 x 32W TTT	1 x 32W TTT
				1102P32VG347	1102P32VG347IC
				4 Pin (GX24q-3)	4 Pin (GX24q-3)

Features

Reflector : Hydroformed aluminum, .040" thick ; Anobrite (anodic-processed) semi-specular finish for permanent reflectivity; white trim flange.

Step Baffle : Die-cast aluminum with stepped conical surface for low brightness, black or white finish.

Frame-In-Kit

Note : For complete **Frame-In-Kit** specifications, see sheet **1102 , 1102IC , 1103R , 1104IC , 1104ICR , 1102F and 1102FIC**

Accessories

Retaining clips : **1955** (set of 100) For installation in existing ceilings. For all trims except white and Alzak reflectors.

Extra Wide Flange Trim Ring : **1954** ; For most 1100 series Reflector Trim. O.D. 8 5/8".

Labels : CSA

Suitable for damp locations.

LIGHTOLIER®

WE RESERVE THE RIGHT TO CHANGE DETAILS OF DESIGN, MATERIALS AND FINISH, IN ANY WAY THAT WILL NOT ALTER INSTALLED APPEARANCE OR REDUCE FUNCTION AND PERFORMANCE.

Lightolier CFI, 3015 Louis Amos Lachine, (Quebec) H8T 1C4