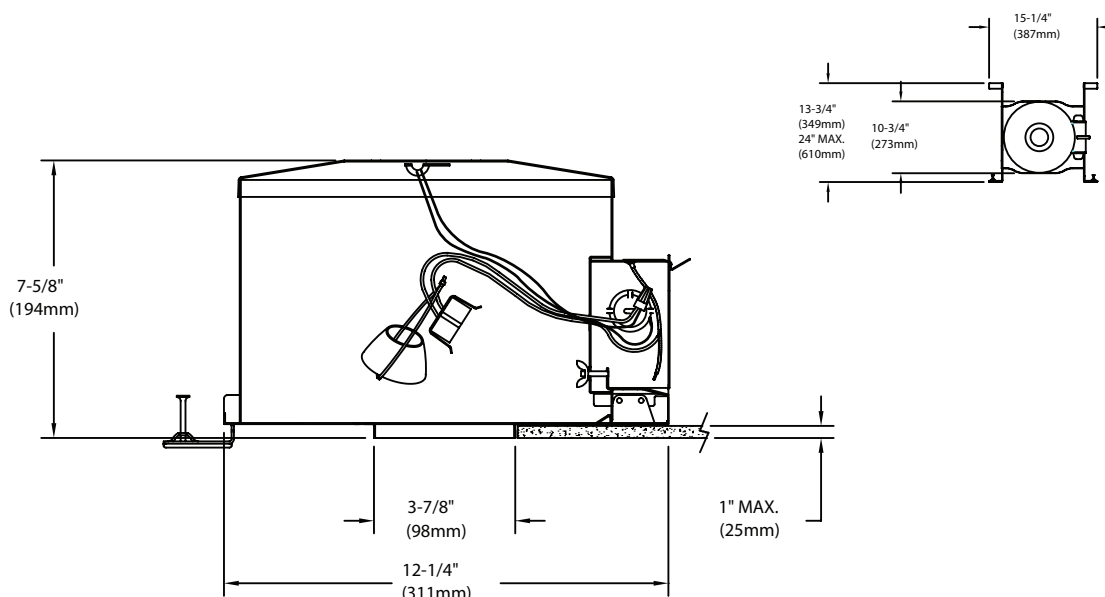


Lytecaster Recessed Downlighting **302ESAICX**

Page 1 of 1

3 3/4" (95mm) Aperture Line Voltage 120v ES/ESD16 IC / Air Seal Electronic Frame-in-Kit



Complete fixture consists of Reflector Trim & Frame-In Kit. Select each separately

Power Pack	Cut-Out	Reflector Trim
302ESAICX	3 3/4" (95mm)	Accepts most 3 3/4" (95mm) 300 series trims ; see Reflector Trim specification sheets.

Features

- Housing:** .032" (#20 ga.) aluminum. CSA certified and UL listed for direct contact with thermal insulation. Airseal housing minimizes air leakage to less than 2 CFM at 1.57 PSF (or 75pa), which complies with Model Energy Code (Section 602.3.3) and Washing State Energy Code (Section 502.4) and reduces heat loss and condensation in ceiling. Access door for inspection of junction box.
- Mounting Frame:** .032 (#20 ga.) aluminum. Accommodates ceilings up to 1" thick. 3/8" deep integral lip. Locks into position along length of mounting bars with locking screw and bendable slot. Four slots are positioned 90° apart to simplify alignment.
- Mounting Bars:** 16 ga. galvanized steel. Extend from 14" (356mm) to 24" (610mm). "SwiveLock" system permits installation and wiring below the ceiling. Pre-installed No. 6 auger point screws for installation in wood and steel joists. Attaches to T-bar ceilings without the need of accessories.
- Junction Box:** 2" (51mm) x 4" (102mm) x 3 1/2" (89mm) 22 ga. galvanized steel. CSA certified and UL listed for maximum of 8 No. 12 ga. Integral cable clamp permit attachment of non-metallic (#12 or #14 ga.) cable without tools or additional connector.
- Socket:** Porcelain body; Twist and lock (GZ base) Pre-wired with 18 ga. Teflon 250° leads to junction box.
- Lamp cover:** Aluminum heat deflector for ES/ESD16 dichroic lamp.
- Internal Thermal Cut-out:** Meets NEC and UL requirements.

Labels

Air Seal. Tested in accordance with ASTM E283 (max 2 cfm @ 75 pa) and comply with WSEC & MEC when installed as instructed.

CSA, UL. Damp or Wet location rated depending on trim used.

Job Information

Type:

Job Name:

Cat. No.:

Lamp(s):

Notes: