

### Ordering Information

Catalog No.	Mounting	Finish	Lamps
8258WH	All Lytespan	Matte White	PAR30, 75W Max.
8258BK	Track Systems	Matte Black	(Tungsten-Halogen)

### Features

- Lytespan Attachment Fitting:** molded polycarbonate. Integral color. Fitting twists onto track and locks in place.
- Movable Brass Contact:** extends for 2nd circuit in Advent™ Lytespan Track.
- Lamp Retainer:** silicone Rubber. Temperature range -- 65°F to +600°F. Integral color.
- Socket Cover:** molded Valox®. Integral color. Matte finish.
- Trunion Mounting:** permanently tensioned with internal spring washer. 90° stop for vertical adjustment (UL requirement).
- Fitting Housing:** die-cast aluminum.
- Wire Form Ring:** 1/4" Dia. formed steel rod. Chrome plated.
- Push Tab:** integral to fitting. Detaches unit.
- Pivot Mounting:** permanently tensioned, 350° stop.

### Electrical

Porcelain socket, medium base, nickel plated screw shell. No. 18 braided SF-1 leads with a silicone sleeving.

### Options & Accessories

3 1/2" Beam Smoother, Beam Elongator, Louver and Barndoors. All require Accessory Holder 8593.

See Lightolier Specification Sheets AF2LF and AF2AS.

### Finish

All painted finishes baked enamel.

### Labels

UL, I.B.E.W.

Valox® is a registered trademark of General Electric.

Advent™ is a registered trademark of Lightolier.

Job Information	Type:
<b>Job Name:</b>	
<b>Cat. No.:</b>	
<b>Lamp(s):</b>	
<b>Notes:</b>	

**Lightolier** a Genlyte Thomas Company www.lightolier.com  
 631 Airport Road, Fall River, MA 02720 • (508) 679-8131 • Fax (508) 674-4710  
 We reserve the right to change details of design, materials and finish.  
 © 2002 Genlyte Thomas Group LLC (Lightolier Division) • A0902

**LIGHTOLIER®**

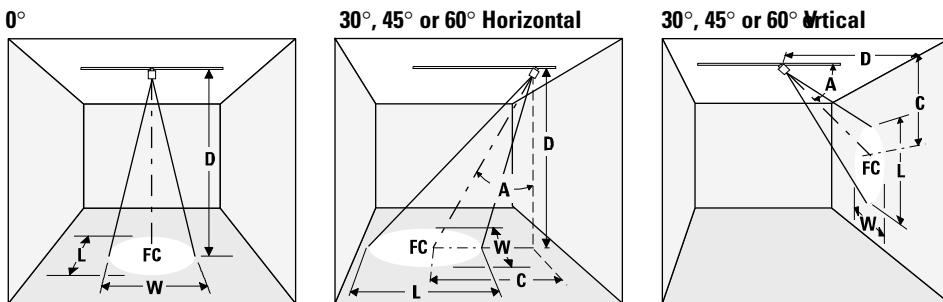


## Lighting Data

### Aiming Angle:

- L** Beam length
- W** Beam Width
- C** Distance to center beam
- D** Distance
- A** Aiming angle
- FC** Footcandles

**L** and **W** are the outer points where the candle power drops to 50% of the maximum. **FC** are the initial footcandles at the center of the beam.



### LAMP

Beam Spread 50% Max. CP	Beam Center C.P. Candelas	Rated Life-Hrs
8°	9,200	2,000
8°	17,000	3,000
25°	2,000	2,000
25°	3,000	3,000
35°	1,400	2,500
37°	1,600	3,000
9°	14,000	2,500
30°	3,200	2,500
40°	2,000	2,500

### 0° AIMING ANGLE    A=30° AIMING ANGLE    A=45° AIMING ANGLE    A=60° AIMING ANGLE

0°				A=30°					A=45°					A=60°				
D	FC	L	W	D	C	FC	L	W	D	C	FC	L	W	D	C	FC	L	W
7'	188	1.0'	1.0'	6'	3.5'	166	1.1'	1.0'	4'	4.0'	203	1.1'	0.8'	2'	3.5'	288	1.1'	0.6'
10'	92	1.4'	1.4'	9'	5.2'	74	1.7'	1.5'	6'	6.0'	90	1.7'	1.2'	3'	5.2'	128	1.7'	0.8'
13'	54	1.8'	1.8'	12'	6.9'	41	2.2'	1.9'	8'	8.0'	51	2.2'	1.6'	4'	6.9'	72	2.3'	1.1'
16'	36	2.2'	2.2'	15'	8.7'	27	2.8'	2.4'	10'	10.0'	33	2.8'	2.0'	5'	8.7'	46	2.8'	1.4'
8'	266	1.1'	1.1'	7'	4.0'	225	1.3'	1.1'	5'	5.0'	240	1.4'	1.0'	3'	5.2'	236	1.7'	0.8'
12'	118	1.7'	1.7'	10'	5.8'	110	1.9'	1.6'	7'	7.0'	123	2.0'	1.4'	4'	6.9'	133	2.3'	1.1'
16'	66	2.2'	2.2'	13'	7.5'	65	2.4'	2.1'	9'	9.0'	74	2.5'	1.8'	5'	8.7'	85	2.8'	1.4'
20'	43	2.8'	2.8'	16'	9.2'	43	3.0'	2.6'	11'	11.0'	50	3.1'	2.2'	6'	10.4'	59	3.4'	1.7'
4'	125	1.8'	1.8'	3'	1.7'	144	1.8'	1.5'	3'	3.0'	79	2.8'	1.9'	1'	1.7'	250	2.1'	0.9'
6'	58	2.7'	2.7'	5'	2.9'	52	3.0'	2.6'	4'	4.0'	44	3.7'	2.5'	2'	3.5'	63	4.2'	1.8'
8'	31	3.5'	3.5'	7'	4.0'	27	4.2'	3.6'	5'	5.0'	28	4.7'	3.1'	3'	5.2'	28	6.2'	2.7'
10'	20	4.4'	4.4'	9'	5.2'	16	5.4'	4.5'	6'	6.0'	20	5.6'	3.8'	4'	6.9'	16	8.3'	3.5'
6'	83	2.7'	2.7'	5'	2.9'	78	3.0'	2.6'	3'	3.0'	118	2.8'	1.9'	2'	3.5'	94	4.2'	1.8'
8'	47	3.5'	3.5'	7'	4.0'	40	4.2'	3.6'	5'	5.0'	42	4.7'	3.1'	3'	5.2'	42	6.2'	2.7'
10'	30	4.4'	4.4'	9'	5.2'	24	5.4'	4.6'	7'	7.0'	22	6.5'	4.4'	4'	6.9'	23	8.3'	3.5'
12'	21	5.3'	5.3'	11'	6.4'	16	6.6'	5.6'	9'	9.0'	12	8.4'	5.6'	5'	8.7'	15	10.4'	4.4'
3'	158	1.9'	1.9'	3'	1.7'	101	2.6'	2.2'	2'	2.0'	124	2.8'	1.8'	1'	1.7'	175	3.6'	1.3'
5'	56	3.2'	3.2'	5'	2.9'	36	4.3'	3.6'	3'	3.0'	55	4.2'	2.7'	2'	3.5'	44	7.2'	2.5'
7'	29	4.4'	4.4'	7'	4.0'	19	6.1'	5.1'	4'	4.0'	31	5.6'	3.8'	3'	5.2'	19	10.8'	3.8'
9'	17	5.7'	5.7'	9'	5.2'	11	7.8'	6.6'	5'	5.0'	20	7.0'	4.5'	4'	6.9'	11	14.4'	5.0'
3'	178	2.0'	2.0'	3'	1.7'	115	2.8'	2.3'	2'	2.0'	141	3.0'	1.9'	1'	1.7	200	4.0'	1.3'
5'	64	3.3'	3.3'	5'	2.9'	42	4.6'	3.9'	3'	3.0'	63	4.5'	2.8'	2'	3.5'	50	8.1'	2.7'
7'	33	4.7'	4.7'	7'	4.0'	21	6.5'	5.4'	4'	4.0'	35	6.0'	3.8'	3'	5.2'	22	12.1'	4.0'
9'	20	6.0'	6.0'	9'	5.2'	13	8.3'	7.0'	5'	5.0'	23	7.5'	4.7'	4'	6.9'	13	18.1'	5.4'
8'	219	1.3'	1.3'	7'	4.0'	186	1.5'	1.3'	5'	5.0'	198	1.6'	1.1'	3'	5.2'	184	1.9'	0.9'
12'	97	1.9'	1.9'	10'	5.8'	91	2.1'	1.8'	7'	7.0'	101	2.2'	1.6'	4'	6.8'	109	2.6'	1.3'
16'	55	2.5'	2.5'	13'	7.5'	54	2.7'	2.4'	9'	9.0'	61	2.9'	2.0'	5'	8.7'	70	3.2'	1.6'
20'	35	3.1'	3.1'	16'	9.2'	36	3.4'	2.9'	11'	11.0'	41	3.5'	2.4'	6'	10.4'	49	3.8'	1.9'
6'	89	3.2'	3.2'	5'	2.9'	83	3.7'	3.1'	3'	3.0'	126	3.5'	2.3'	2'	3.5'	100	5.5'	2.1'
8'	50	4.3'	4.3'	7'	4.0'	42	5.1'	4.3'	5'	5.0'	45	5.8'	3.8'	3'	5.2'	44	8.2'	3.2'
10'	32	5.4'	5.4'	9'	5.2'	26	6.6'	5.6'	7'	7.0'	23	8.1'	5.3'	4'	6.9'	25	10.9'	4.3'
12'	22	6.4'	6.4'	11'	6.4'	17	8.1'	6.8'	9'	9.0'	14	10.4'	6.8'	5'	8.7'	16	13.7'	5.4'
4'	125	2.9'	2.9'	3'	1.7'	144	3.0'	2.5'	3'	3.0'	79	5.0'	3.1'	1'	1.7'	250	4.8'	1.5'
6'	56	4.4'	4.4'	5'	2.9'	52	5.1'	4.2'	4'	4.0'	44	6.7'	4.1'	2'	3.5'	63	9.7'	2.9'
8'	31	5.8'	5.8'	7'	4.0'	27	7.1'	5.9'	5'	5.0'	28	8.4'	5.1'	3'	5.2'	28	14.5'	4.4'
10'	20	7.3'	7.3'	9'	5.2'	16	9.1'	7.6'	6'	6.0'	20	10.1'	6.1'	4'	6.9'	16	19.3'	5.8'

### Job Information

### Type:

Lightolier a Genlyte Thomas Company [www.lightolier.com](http://www.lightolier.com)  
 631 Airport Road, Fall River, MA 02720 • (508) 679-8131 • Fax (508) 674-4710  
 We reserve the right to change details of design, materials and finish.  
 © 2002 Genlyte Thomas Group LLC (Lightolier Division) • A0902

# LIGHTOLIER®