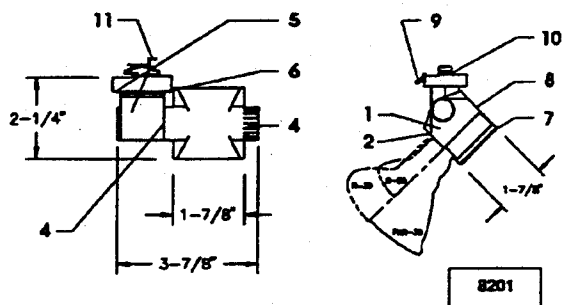
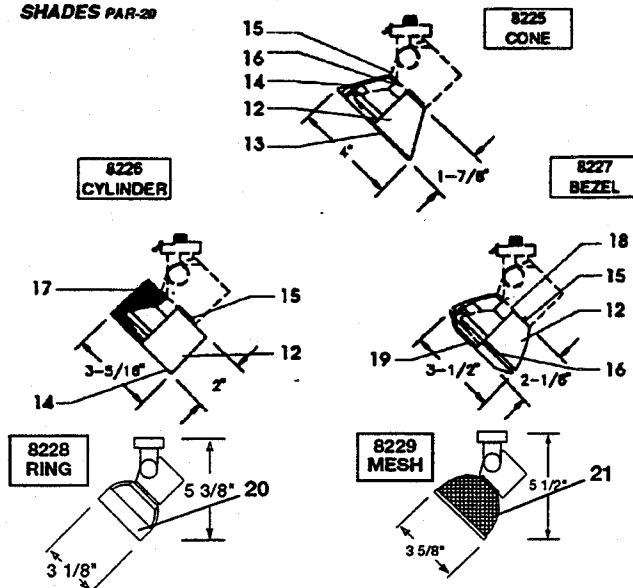



**LOW PROFILE PAR-20  
HALOGEN**
**LYTESPAN / PAR-TECH  
TRACK LIGHTING SYSTEM**
**8201  
PAR20**
**ADAPTER**

**SHADES PAR-20**

**Ordering Information**

Adapter No.	Shade No.	Finish	Lamps
8201WH	8225WH	WHITE	PAR-16 75W PAR-20 50W (HALOGEN)
	8226WH		
	8227WH		
	8228WH		
	8229WH		
8201BK	8225BK	BLACK	PAR-16 75W PAR-20 50W (HALOGEN)
	8226BK		
	8227BK		
	8228BK		
	8229BK		
8201WH / 8201BK	ADAPTER ONLY	WHITE / BLACK	250W PAR-38 MAX.

**FEATURES**

- 1- SOCKET HOUSING: Die-cast aluminum.
- 2- BAYONET RECEPTACLE: To receive optional shade attachment.
- 3- TEXTURE GRIP: Molded valox integral color.
- 4- TRUNION MOUNTING: Tensioned provides 90° vertical adjustment for lighting unit.
- 5- HOUSING: Die-cast aluminum.
- 6- PIVOT MOUNTING: Tensioned; 350° stop.
- 7- REAR VENTS: For heat removal.
- 8- SCREW COVER: Molded valox. Integral color.
- 9- PUSH TAB: Molded polycarbonate. Detaches unit.
- 10- LYTESPAN ATTACHMENT FITTING: Molded polycarbonate. Integral color. Fitter twists onto track, lock on with push tab.
- 11- MOVABLE BRASS CONTACT: Extends for connection to 2<sup>nd</sup> circuit in Advent Lytespan track.
- 12- SHADE: Single piece die-cast aluminum.
- 13- PERIPHERAL VENTING.
- 14- MOUNTING GROOVE: For accessories holder.
- 15- SHADE ATTACHMENT: Zinc plated and painted. Steel bayonet fitting.
- 16- COLOR ACCENT RING: Silicone rubber. (removable).
- 17- INTEGRAL VERTI-GROOVES: With black inside finish for glare control.
- 18- SHADE REAR VENTS: Aligns with adapter's vents for effective air circulation.
- 19- FRONT BEZEL: High temperature ULTEM® integral color. Removes extraneous spill light.
- 20- RING: Die-cast; surrounds lamp and gives minimal cage look.
- 21- MESH SHADE: Fully encloses lamp and lets light sparkle through mesh.

**ELECTRICAL**

ELECTRICAL: Porcelain socket, medium base nickel plated screw shell. No. 18 SEW-1 leads.

**ACCESSORIES**

- CONE/CYLINDER HOLDER: 8582 black (holds max. of 1 accessory.)  
 BEZEL HOLDER: 8592 black (holds max. of 1 accessory.)  
 HEX. CELL LOUVER: 8559 black. \*  
 BEAM ELONGATOR: 8557 clear. \*  
 BEAM SMOOTHER: 8558 clear. \*  
 BEZEL BARN DOORS: 8542BK black.\*

\* All accessories require an accessory holder.

**FINISH**

FINISH: All painted finished baked enamel.

**LABELS**

LABELS: CSA

**LIGHTOLIER®**