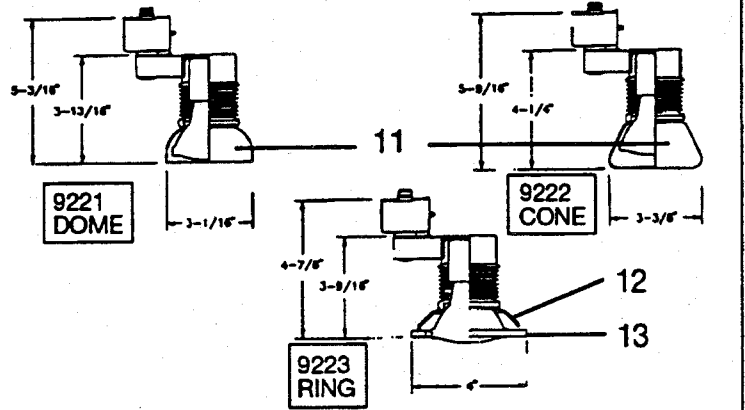
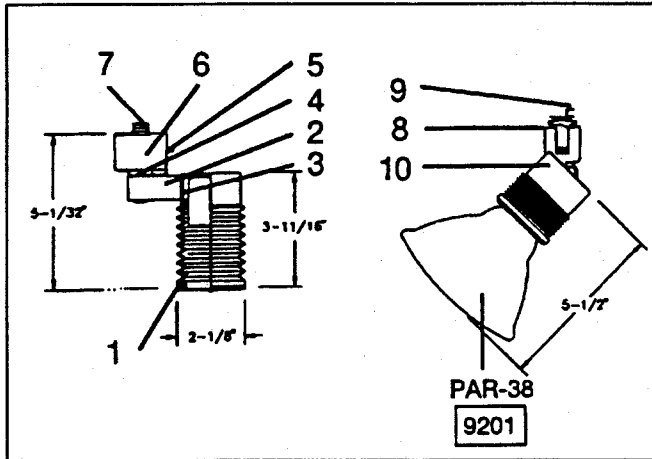




PARR-FLEX PAR-16/20
HALOGEN

LYTESPAN
TRACK LIGHTING SYSTEM



Ordering Information

Cat. No.	Finish	Lamps
9201WH	WHITE	150W PAR-38 / R-40
9201BK	BLACK	
9221WH (DOME)	WHITE	75W PAR-16 50W PAR-20 (Halogen) 50W R-20
9222WH (CONE)		
9223WH (RING)		
9221BK (DOME)	BLACK	
9222BK (CONE)		
9223BK (RING)		

FEATURES

- 1- SLEEVE: Silicone rubber, integral color.
- 2- PARR-FLEX FITTING HOUSING: Molded Valox (G.E.) Integral color.
- 3- TRUNION MOUNTING: tensioned provides 90 deg. vertical adjustment for lighting unit.
- 4- PIVOT MOUNTING: permanently tensioned; 350 deg. stop.
- 5- PUSH TAB: molded polycarbonate. Detaches unit.
- 6- LYTESPAN ATTACHMENT FITTING: molded polycarbonate .075" wall thickness. Integral color.
- 7- LYTESPAN ATTACHMENT FITTING: molded polycarbonate. Integral color. Fitters twists onto track, lock on with push tab.
- 8- POLARITY KEYWAY.
- 9- MOVABLE BRASS CONTACT: extends for connection to 2nd circuit in Advent Lytespan track.
- 10- SOCKET COVER: molded Valox (G.E.). Integral color.
- 11- SHIELD: .40" aluminum.
- 12- METAL WIRE: .080" steel.
- 13- RING: .035" steel.

ELECTRICAL

ELECTRICAL: porcelain socket, medium base nickel plated screw shell. No. 18 SEW-1 leads.

FINISH

FINISH: all painted finished baked enamel.

LABELS

LABELS: CSA