

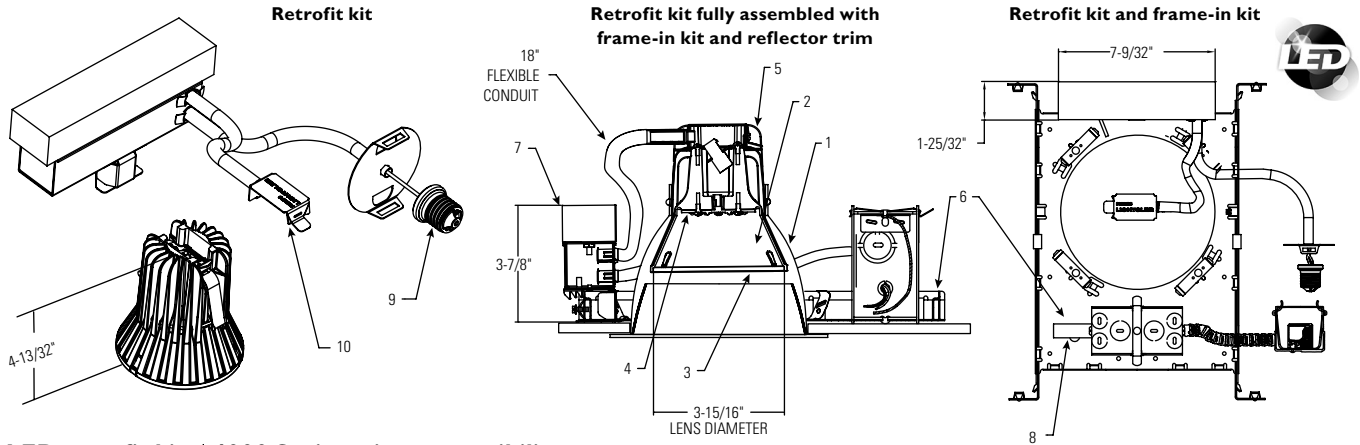
L56LED09SD

Lytecaster LED, dimmable, retrofit kit

Catalog number:

Notes:

Type:



LED retrofit kit 1000 Series trim compatibility

LED retrofit kit	Frame-in kit	Reflector trims - see individual reflector trim specification sheets						
	L56LED09S27D1 L56LED09S35D1	1002P1	Open downlight					
		Cone	Satin cone	Baffle	Basic white	Pinhole	Enclosed diffusers	Wall washers
		1012 1012NM 1013 1013NM	1013BK 1013BKNM 1013CD 1013CDNM 1013WH	1008 1008NM 1010 1010NM	1005 1005NM 1005WH 1005BNM 1076 1076WH	1071 1011	1024 1078 1090	1035 1035WH 1085

LED retrofit kit 1100 Series trim compatibility

LED retrofit kit	Frame-in kit	Reflector trims - see individual reflector trim specification sheets								
	L56LED09S27D L56LED09S35D	1102P1 1102P1M	Open downlight							
		Anodized reflector	Cone	Satin cone	Baffle	Basic white	Crossblade	Enclosed diffusers	Wall washers	Open wet
		1143 1144 1144CD 1145 1146 1146CD	1112 1112NM 1113 1113NM 1113BK 1113BKNM 1113CD 1113CDNM 1113WH	1108 1108NM 1110 1110NM	1105 1105NM 1105WH 1105BNM 1176 1176WH 1179M1 1179WH	1171 1132	1121 1124 1126 1128 1134 1177SH 1178SH 1190	1185 1186 1186WH 1195 1196 1196CD	1184WH 1184CD	

Note: Complete assembly consist of LED Retrofit + Frame + Trim. See below for recommended dimmers.

Dimming switch compatibility

Note that most standard incandescent dimmers will function, but performance will vary.

The dimmers listed below have the optimal performance.

HUNT dimming: 56500 PS-LED-PC-IV-120V-LT26/36 (2 wire triac)
56501 PS-LED-PC-WH-120V-LT26/36 (2 wire triac)
56510 PS-LED-PC-3W-IV-120V-LT26/36 (2 wire triac)
56511 PS-LED-PC-3W-WH-120V-LT26/36 (2 wire triac)

Lightolier controls: zp260qe (requires neutral)

Lutron: NLV-600 (2 wire triac)

Leviton: IPE04-1LW (requires neutral)

6681-IW (2 wire triac)

Please note: Product incompatible with Lutron Electronic Low Voltage dimmers.

L56LED09SD

Lytecaster LED, dimmable, retrofit kit

Features

- Reflector:** See individual specification sheets for information.
- Optical mixing chamber:** Designed to provide a spacing ratio of .9 (60° beam) when installed in standard Lytecaster trims. Optic design provides less glare than standard PAR lamps.
- Lens:** Solite Glass lens has high transmission value with slight texturing to provide a smooth consistent beam distribution.
- LED board:** Utilizes Philips Lumileds LED's.
- Thermal management:** Heat sink was developed using the latest in Computational Fluid Dynamics Software. This optimized thermal design provides a 50,000 hour lifetime at 70% lumen maintenance. Cast aluminum heat sink is coated with a RoHS compliant coating (trivalent chromate) to resist corrosion in damp/wet environments.
- Mounting frame:** Conversion kit can be mounted to 1102P1 and 1002P1 series rough-in sections. See individual specification sheets for information.
- Power supply/enclosure:** Factory wired electronic LED driver (see Electrical section for specifications) mounted to a 22Ga galvanized steel splice box housing.
- Thermal protector:** Utilizes already installed thermal protection device located on junction box of rough-in being converted.

Features (continued)

- Adaptor assembly:** Male adapting screw is tool free and makes converting to Solid State Lighting as easy as changing an incandescent lamp. Clip socket bracket to existing deep drawn socket cup.
- Top heat sink cover:** Tool free snap on enclosure bracket. 22-ga component houses the driver secondary tool free wire connector.

Electrical

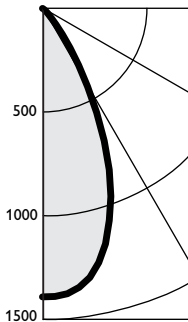
Electronic power supply: Class 2 power unit for use in a damp or dry location (Outdoor Type1). Class A sound rated unit tolerates sustained open circuit and short circuit output conditions without damage. Complies with FCC rules per Title 47 CFR Part 15/18 Consumer limits (Class B) for EMI/RFI (conducted and radiated) at full load.

Input voltage	Input frequency	Max input current	Max input power	Max THD	Power factor	Minimum operating temperature	Minimum percent dimming
120V	50/60Hz	0.2	25W	< 20%	>.9	-20° C	< 5%

Labels

UL wet location classified. 5 year warranty.

Lytecaster LED, 2700K retrofit kit



Single Unit Data		
Height to Lighted Plane	Initial Center Beam Foot-Candles	Beam Diameter*
6'	39	5
7'	28	6
8'	22	7

*Beam diameter is where foot-candles drop to 50% of maximum.

Angle	Mean CP
0	1396
5	1386
10	1322
15	1180
20	868
25	708
30	437
35	233
40	103
45	44
50	25
55	12
60	5
65	2
70	0
75	0
80	0
85	0
90	0

Catalog No: L56LED09S27D1/ 1013

Report No.: F10129
 Total Fixture Lumens: 976
 Color Temp: 2700K
 Input Watts: 22.6W
 Luminaire Efficacy 43.2 lm/w
 Spacing Criterion: 0.82
 CRI 82

Zonal lumens and percentages

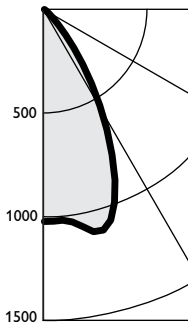
Zone	Lumens	%Lamp	%Fixt
0-30	775	N/A	79
0-40	926	N/A	95
0-60	977	N/A	99
0-90	979	N/A	100

Coefficients of utilization

Ceiling	80%				70%				50%				0%																																																																																																												
	70	50	30	70	50	30	50	30	10	0	70	50	30	10	0																																																																																																										
RCR	Zonal Cavity Method - Effective Floor Reflectance = 20%																																																																																																																								
Room Cavity Ratio	0	119	119	119	116	116	116	111	111	111	100	1	114	111	109	111	109	107	105	103	102	94	2	109	104	100	106	102	99	99	96	94	88	3	104	98	93	102	96	92	94	90	87	83	4	99	92	87	97	91	86	89	84	81	78	5	94	86	81	93	86	80	84	79	76	73	6	90	82	76	89	81	76	79	75	71	69	7	86	77	72	85	77	71	75	71	67	65	8	82	73	68	81	73	67	72	67	63	62	9	79	70	64	78	69	64	68	63	60	58	10	75	66	61	74	66	61	65	60	57	55

Tested using absolute photometry as specified in LM79: IESNA Approved Method for the Electrical and Photometric Measurements of Solid-State Lighting Products.

Lytecaster LED, 2700K retrofit kit



Single Unit Data		
Height to Lighted Plane	Initial Center Beam Foot-Candles	Beam Diameter*
6'	29	6
7'	21	7
8'	16	8

*Beam diameter is where foot-candles drop to 50% of maximum.

Angle	Mean CP
0	1026
5	1024
10	1067
15	1105
20	993
25	775
30	538
35	325
40	159
45	63
50	22
55	9
60	0
65	0
70	0
75	0
80	0
85	0
90	0

Catalog No: L56LED09S27D1/ 1013

Report No.: F10138
 Total Fixture Lumens: 1025 lms
 Color Temp: 2700K
 Input Watts: 22.7W
 Luminaire Efficacy 45 lm/w
 Spacing Criterion: 1.00
 CRI 82

Zonal lumens and percentages

Zone	Lumens	%Lamp	%Fixt
0-30	755	N/A	74
0-40	960	N/A	94
0-60	1024	N/A	99
0-90	1025	N/A	100

Coefficients of utilization

Ceiling	80%				70%				50%				0%																																																																																																												
	70	50	30	70	50	30	50	30	10	0	70	50	30	10	0																																																																																																										
RCR	Zonal Cavity Method - Effective Floor Reflectance = 20%																																																																																																																								
Room Cavity Ratio	0	119	119	119	116	116	116	111	111	111	100	1	114	111	108	111	109	107	105	103	101	94	2	108	103	99	106	102	98	98	95	93	87	3	103	96	92	101	95	91	92	89	86	81	4	98	90	85	96	89	84	87	83	79	76	5	93	85	79	91	84	78	82	77	74	71	6	88	79	73	87	79	73	77	72	69	66	7	84	75	69	82	74	68	73	68	64	62	8	80	70	64	79	70	64	69	64	60	58	9	76	66	61	75	66	60	65	60	56	55	10	72	63	57	71	62	57	62	57	53	52

Tested using absolute photometry as specified in LM79: IESNA Approved Method for the Electrical and Photometric Measurements of Solid-State Lighting Products.



Philips Lightolier
 e: lol.webmaster@philips.com
 t: (508) 679-8131
 w: www.lightolier.com

L56LED09SD December 3, 2012

Specifications are subject to change without notice.
 © Koninklijke Philips Electronics N.V., 2010. All rights reserved.