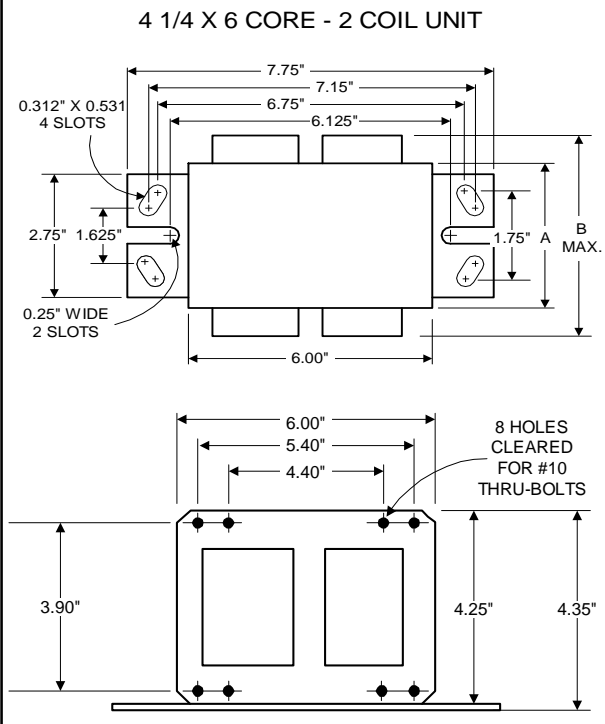




Metal
Halide
Lamp Ballast

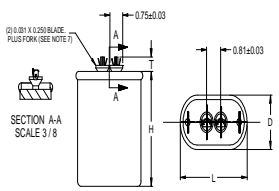
Catalog Number 71A65A2
For 1000W M47
60 Hz CWA
Status: Active

DIMENSIONS AND DATA

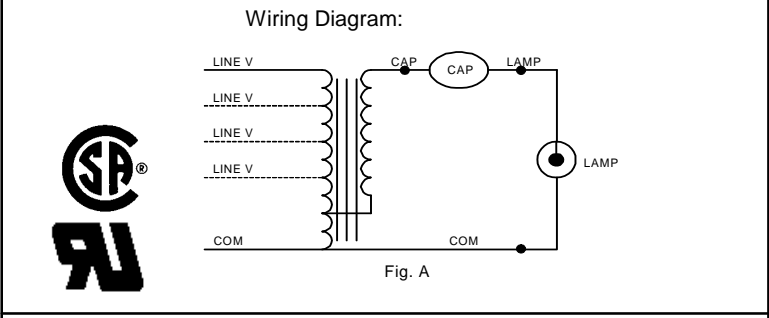


INPUT VOLTS	120	277	347		
CIRCUIT TYPE	CWA				
POWER FACTOR (min)	90%				
REGULATION					
Line Volts	±10%				
Lamp Watts	±10%				
LINE CURRENT (Amps)					
Operating.....	9.00	3.90	3.20		
Open Circuit.....	4.50	2.20	1.70		
Starting.....	7.80	3.20	2.50		
UL TEMPERATURE RATINGS					
Insulation Class	H(180°C)				
Coil Temperature Code	1029				
	D	C	C		
MIN. AMBIENT STARTING TEMP.	-20°F or -30°C				
NOM. OPEN CIRCUIT VOLTAGE	430				
INPUT VOLTAGE AT LAMP DROPOUT.....	84	194	243		
INPUT WATTS	1080				
RECOMMENDED FUSE (Amps).....	20	10	8		
CORE and COIL					
Dimension (A)	2.80				
Dimension (B)	4.50				
Weight (lbs.)	21				
Lead Lengths	12"				
CAPACITOR REQUIREMENT					
Microfarads	24.0				
Volts (min.)	480				
Fault Current Withstand (amps)					
60 Hz TEST PROCEDURES (Refer to Advance Test Procedure for HID Ballasts - Form 1270)					
High Potential Test (Volts)					
1 minute	2000				
2 seconds	2500				
Open Circuit Voltage Test (Volts)	385-475				
Short-Circuit Current Test (Amps)					
Secondary Current	5.20-6.40				
Input Current.....	4.80-7.30	2.00-3.10	1.60-2.60	-	-

Capacitor: MD2409-100



Capacitance: 24
Dia/Oval Dim: 1.75
Height: 3.9
Temp Rating: 90°C



Ordering Information

Ignitor: NA

This ballast does not require the use of an ignitor.

Order Suffix	Description

Data is based upon tests performed by Advance Transformer in a controlled environment and representative of relative performance. Actual performance can vary depending on operating conditions. Specifications are subject to change without notice.