

# HIGH INTENSITY DISCHARGE BALLASTS

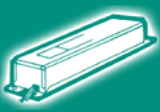
## Ordering Information

We have developed the industry's broadest selection of HID ballasts. More than 3000 stocking distributors nationwide. For information on the distributor best able to serve your needs, please call 800-372-3331.

## Philips Advance HID Ballast Part Number Explanation

71A	60	9	2	-500DAEE							
<p><b>Suffix Code*</b> (as applicable)</p> <ul style="list-style-type: none"> <li>-001DB ballast replacement kit with dry capacitor and integral ignitor</li> <li>-001D ballast replacement kit with dry film capacitor</li> <li>-001 ballast replacement kit with oil filled capacitor</li> <li>-500D core &amp; coil ballast with dry film capacitor</li> <li>-500 core &amp; coil ballast with oil filled capacitor</li> <li>-510D core &amp; coil ballast with welded bracket and dry film capacitor</li> <li>-510 core &amp; coil ballast with welded bracket and oil filled capacitor</li> <li>-540D core &amp; coil ballast with welded angle bracket and dry film capacitor</li> <li>-600 core &amp; coil ballast (no capacitor)</li> <li>-610 core &amp; coil ballast with welded bracket (no capacitor)</li> </ul> <p>* Add additional feature codes to the end of suffix where applicable. i.e. -B = Integral Ignitor, -P = Thermally Protected, -J = J-Box Mounting, -A = Aluminum Coil, -ML = "NOM" (with capacitor), -T = 120V Tap -EE = EISA Compliant Ballast</p>											
<b>Design Code</b>											
<table style="width: 100%; border: none;"> <tr> <td style="width: 30%;"></td> <td style="text-align: center;"><b>60 Hz Voltages</b></td> <td style="text-align: center;"><b>50 Hz Voltages</b></td> </tr> <tr> <td style="vertical-align: top;"><b>Input Voltage Code</b></td> <td style="vertical-align: top;">                     0 = 120V                      1 = 208V                      2 = 240V                      3 = 277V                      4 = 480V                      5 = 120/240V or                      120/208/240/277/480V                      6 = 240/480V                      7 = 120/208/240/277V                      8 = 120/277V                      9 = 120/208/240/277V                 </td> <td style="vertical-align: top;">                     A = 120/277/347V                      B = 347V                      C = 120/347V                      D = 120/240/347V                      E = 120/208/240V or 208/240V                      F = 277/480V, 277/347V, 277/347/480V or                      347/480V                      H = 127/220V                      J = 220V or 220/240V                      Y = 100V or 100/200V                 </td> <td style="vertical-align: top;">                     M = 100/200V                      N = 120/220-240V                      R = 220/240V                 </td> </tr> </table>						<b>60 Hz Voltages</b>	<b>50 Hz Voltages</b>	<b>Input Voltage Code</b>	0 = 120V 1 = 208V 2 = 240V 3 = 277V 4 = 480V 5 = 120/240V or 120/208/240/277/480V 6 = 240/480V 7 = 120/208/240/277V 8 = 120/277V 9 = 120/208/240/277V	A = 120/277/347V B = 347V C = 120/347V D = 120/240/347V E = 120/208/240V or 208/240V F = 277/480V, 277/347V, 277/347/480V or 347/480V H = 127/220V J = 220V or 220/240V Y = 100V or 100/200V	M = 100/200V N = 120/220-240V R = 220/240V
	<b>60 Hz Voltages</b>	<b>50 Hz Voltages</b>									
<b>Input Voltage Code</b>	0 = 120V 1 = 208V 2 = 240V 3 = 277V 4 = 480V 5 = 120/240V or 120/208/240/277/480V 6 = 240/480V 7 = 120/208/240/277V 8 = 120/277V 9 = 120/208/240/277V	A = 120/277/347V B = 347V C = 120/347V D = 120/240/347V E = 120/208/240V or 208/240V F = 277/480V, 277/347V, 277/347/480V or 347/480V H = 127/220V J = 220V or 220/240V Y = 100V or 100/200V	M = 100/200V N = 120/220-240V R = 220/240V								
<b>Lamp Type/Wattage/Ballast Circuit Code</b>											
<b>Ballast Type</b>	71A = Core and Coil Ballast 72C = F-Can Ballast 73B = Encapsulated Core and Coil Ballast 74P = Postline Ballast 77L = Val-U-Pak Plus Replacement Ballast kit (includes lamp) 78E = Indoor Enclosed Ballast 79W = Outdoor Weatherproof Ballast										

HID



## 60 Hz F-Can Ballasts, (Indoor, Outdoor Type I)

### Metal Halide

Input Voltage	Catalog Number	Circuit Type	Input Amps			Input Watts	Nom. Open Circuit Voltage	Fuse Rating Amps	Over-all Length	Case Length	Mtg. Dim.	Total Wt. (lbs)	Max. Ballast to Lamp Distance (ft)	Certifications	
			Operating	Starting	Open Circuit									UL	SP
175/150W Lamp, ANSI Code M57 or M107 or 145W Lamp, ANSI Code C192 (Philips AllStart)**													SOUND RATING C		
120/277	<b>72C5581-NP-001</b>	CWA	2.0/9	2.0/9	1.4/7	205	300	5/3	11.75	10.50	11.13	12.0	50	✓	✓
120/347	72C5581-NP		1.9/7	1.9/7	1.7/5	208		5/2						✓	✓
175W Lamp, ANSI Code M137 or M152 (Pulse Start) or 145W Lamp, ANSI Code C192 (Philips AllStart)**													SOUND RATING B		
120/277	72C5582-NP	Super CWA	1.7/8	.9/4	2.2/9	205	300	5/3	14.30	13.13	13.75	15.5	50	✓	✓
250W Lamp, ANSI Code M58 or 205W Lamp, ANSI Code C184 (Philips AllStart)***													SOUND RATING C		
120/277	<b>72C5782-NP-001</b>	CWA	2.6/1.1	2.1/9	2.1/9	290	300	8/4	16.70	15.50	16.13	16.0	50	✓	✓
120/347	72C5782-NP		2.5/9	2.0/7	2.0/7			7/3	14.30	13.13	13.75	14.0		✓	✓
250W Lamp, ANSI Code M138 or M153 (Pulse Start) or 205W Lamp, ANSI Code C184 (Philips AllStart)*** (Pulse Start)													SOUND RATING B		
120/277	72C5783-NP	Super CWA	2.8/1.2	2.5/1.1	1.9/8	290	300	8/3	16.70	15.50	16.13	18.0	50	✓	✓
320W Lamp, ANSI Code M132 or M154 (Pulse Start)													SOUND RATING C		
120/277	72C5882-NP	Super CWA	3.4/1.5	2.8/1.2	1.6/7	370	270	8/3	19.20	18.00	18.63	21.0	50	✓	✓
350W Lamp, ANSI Code M131 (Pulse Start)													SOUND RATING C		
120/277	72C5983-NP	Super CWA	3.7/1.7	2.5/1.2	3.9/1.7	410	310	10/4	19.20	18.00	18.63	24.0	50	✓	✓
400W Lamp, ANSI Code M59 or 330W Lamp, ANSI Code C185 (Philips AllStart)****													SOUND RATING C		
120/277	<b>72C6082-NP-001</b>	CWA	3.9/1.7	3.3/1.4	3.9/1.7	460	310	10/5	19.20	18.00	18.63	22.5	50	✓	✓
400W Lamp, ANSI Code M135 or M155 (Pulse Start) or 330W Lamp, ANSI Code C185 (Philips AllStart)****													SOUND RATING C		
120/277	<b>72C6182-NP</b>	Super CWA	4.1/1.8	2.9/1.3	3.9/1.7	465	310	10/4	19.20	18.00	18.63	24.0	50	✓	✓

All Philips Advance dual-volt, F-can ballasts include auto-reset thermal protection for both taps.

☉ Ballast to lamp distance is only limited by the size of the conductor between the ballast and the lamp. For proper wire size, see table on page 5-40 of this catalog.

Replacement ballasts in individual cartons indicated by bold type with suffix -001.

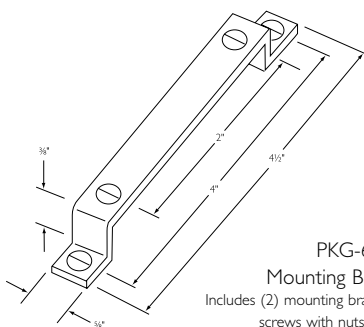
\* All 150W thru 400W F-Can Ballasts are not EISA compliant.

\*\* The 145 Watt Lamp, ANSI Code C192, is an energy saving, screw in replacement lamp for the M57 or M107 lamps, that may reduce input watts up to 15% on existing 175W ballasts.

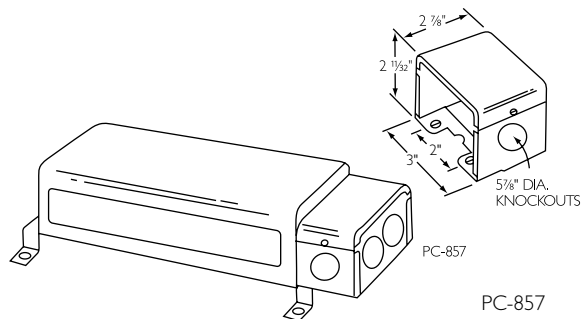
\*\*\* The 205 Watt Lamp, ANSI Code C184 is an energy saving, screw in replacement lamp for the M58 or M138 and M153 PS lamps that may reduce input watts up to 18% on existing ballasts.

\*\*\*\* The 330 Watt Lamp, ANSI Code C185 is an energy saving, screw in replacement lamp for the M59 or M135 and M155 PS lamps that may reduce input watts up to 18% on existing ballasts.

### Accessories



**PKG-625**  
Mounting Bracket Kit  
Includes (2) mounting brackets and (4) #10-32 screws with nuts and washers.



**PC-857**  
Wiring Compartment  
For end mounting, includes (5) 7/8" dia. knockouts. May be used with or without PC-625 Mtg. Brkt. Kit