



Aluline PRO III

Aluline PRO III 50W G53 12V R111 24D 1CT

Philips ALUline Pro 111 lamps feature a large diameter, low voltage and provide excellent flexibility for comfortable, glare-free accent lighting light. The filament shield even eliminates direct light, producing a precise, smooth beam of very sharp contrast. ALUline Pro 111 lamps are compatible with a dedicated G53 socket by direct wire connection to screw or push-in terminals on the lamp and are suitable for open luminaires thanks to low pressure. UVblock reduces color fading over a 3000 hour rated average life†. Ideal for accent lighting in retail displays, exhibition halls in art galleries, and museums. †Rated average life is the length of operation (in hours) at which point an average of 50% of the lamps will still be operational and 50% will not..

Product data

• General Characteristics

Philips Code	14635
Base	G53
Bulb	R111 [R 111mm]
Operating Position	Universal [Any or Universal (U)]
RatedAvgLife(See Family Notes)	3000 hr

• Light Technical Characteristics

Beam Angle	24 D
Beam Angle Technical	24 D
Approx. MBCP	4000 (max) cd
Color Rendering Index	100 Ra8
Color Temperature	3000 K
Color Temperature technical	3000 K

• Electrical Characteristics

Watts	50 W
Lamp Wattage Technical	50.0 W
Voltage	12 V
Lamp Current	4.2 A
Dimmable	Yes

• Luminaire Design Requirements

Cap-Base Temperature	350 (max) C
Bulb Temperature	900 (max) C

• Product Dimensions

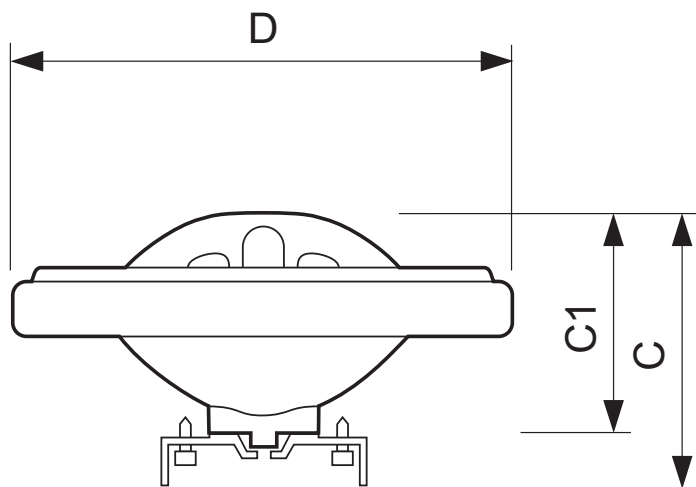
Overall Length C	67 (max) mm
Overall Length Rim C1	51 (max) mm
Diameter D	111 (max) mm

• Product Data

Product number	133974
Full product name	Aluline PRO III 50W G53 12V R111 24D 1CT
Short product name	ALU111MM 50W G53 12V 24D
Pieces per Sku	1
eop_pck_cfg	6
Skus/Case	6
Bar code on pack	8711500426550
Bar code on case	50046677133974
Logistics code(s)	924065117182
tpd_ilcos_cd	HRGI-50-12-G53-50/24
eop_net_weight_pp	0.056 kg

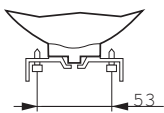
Dimensional drawing

Dimensional drawing



Aluline PRO III 50W G53 12V R111 24D 1CT

Product	C (Max)	C1 (Max)	D (Max)
ALU 111mm 14635 50W G53 12V 24D	67	51	111



G53



© 2013 Koninklijke Philips Electronics N.V.
All rights reserved.

Specifications are subject to change without notice. Trademarks are the property of Koninklijke Philips Electronics N.V. or their respective owners.

www.philips.com/lighting

2013, April 30
data subject to change