



Energy Saver Outdoor

16WEL/A PAR30 2 pc 1CT

Looking for an energy saver that does not look like one? The Philips EnergySaver Outdoor family provides energy efficient lighting options that don't just provide similar light as your standard incandescent light bulb. Available in reflector flood, bug away, and post varieties. Try the Philips EnergySaver Outdoor family of products and see how they truly provide advanced lighting designed around your needs.

Product data

• General Characteristics

Base	Medium [Single Contact Medium Screw]
RatedAvgLife(See Family Notes)	10000 hr
Estimated Energy Cost/YR	1.93 \$
Life with 3h/day use [years]	9.1 an

• Light Technical Characteristics

Approx. MBCP	250 cd
Color Code	827 [CCT of 2700K]
Color Rendering Index	82 Ra8
Color Designation	Warm White
Color Temperature	2760 K
Color Temperature technical	2700 K
Chromaticity Coordinate X	463 -
Chromaticity Coordinate Y	420 -
Initial lumen	750 Lm
Luminous Efficacy Lamp	46 Lm/W
Lumen Maintenance 2000h	80 %

Lumen Maintenance 5000h	70 %
-------------------------	------

• Electrical Characteristics

Watts	16 W
Power Factor	0.55 -
Voltage	110-127 V
Lamp Current mA	240 mA
Line Frequency	50/60 Hz

• Product Dimensions

Overall Length C	129 (max) mm
Diameter D	97 (max) mm
Width F	43.5 (max) mm

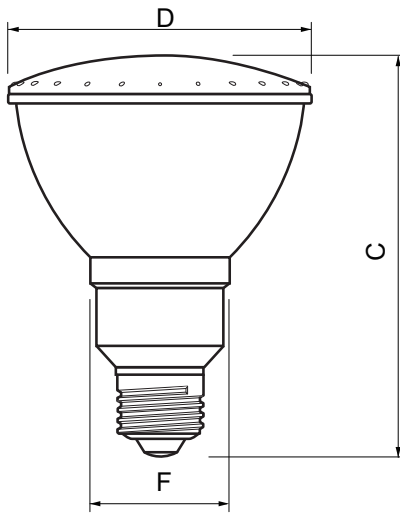
• Product Data

Product number	405811
Full product name	16WEL/A PAR30 2 pc 1CT
Short product name	EL/A PAR30 16W 2pc 6/1
Pieces per Sku	1
eop_pck_cfg	6
Skus/Case	6
Bar code on pack	46677405816
Bar code on case	50046677405811
Logistics code(s)	929689731101
eop_net_weight_pp	0.250 kg

PHILIPS

sense and simplicity

Dimensional drawing



16W, E26, Par30

Product	C (Max)	D (Max)	F (Max)
Reflector Par30 16W/827 E26 110-127V	129	97	43.5



E26



© 2012 Koninklijke Philips Electronics N.V.
All rights reserved.

Specifications are subject to change without notice. Trademarks are the property of Koninklijke Philips Electronics N.V. or their respective owners.

www.philips.com/lighting

2012, January 31
data subject to change