



Optanium T8 Programmed Start

OPTANIUM GOP4PSP32SC35M

Philips Advance Optanium high-efficiency electronic ballasts are engineered to optimize lighting performance and maximize energy savings. These ballasts provide an unparalleled package of features and benefits to support the wide variety of T8 fluorescent lamps out in the market place.

Product data

• General Information

Lamp Type	F32T8
Number Of Lamps	3/4 piece/unit
Ballast Type	Electronic Fluorescent
Base Model	GOP4PSP32SC
Suitable For Outdoor Use	Yes
Automatic Restart	Yes

• Operating and Electrical

Input Voltage	347 V
Input Frequency	50 to 60 Hz
Total Harmonic Distortion USA	10 %
Ignition Method	Programmed Start
Crestfactor (Nom)	1.6
Ignition Time (Nom)	1.5 s
Ballast Factor (Nom)	0.88
Power Factor (Nom)	0.98
Input Current (Nom)	0.33 A
Input Power (Nom)	114 W
Rated Lamp Power	32W W

• Wiring

Color Input Terminals	No terminals
Color Output Terminals	No terminals
Wire Striplength	0.50/0.375 mm
Lamp Connection	Parallel
Wire Length By Color	See data sheet
Wire Gauge (Nom)	18AWG mm
Wire Type	Solid

Remote Wiring Configuration Allowed	Yes
Tandem Wiring Configuration Allowed	Yes
Through Wiring Configuration Allowed	Yes
Max Ballast-Lamp Distance Remote Wiring	ES = 6' / Standard = 8'
Max Ballast-Lamp Distance Tandem Wiring	ES = 6' / Standard = 8'
Max Ballast-Lamp Distance Through Wiring	ES = 6' / Standard = 8'
Connector Type	No connector

• Temperature

T-Case Maximum (Nom)	70 °C
----------------------	-------

• Mechanical and Housing

Housing Material	Metal
Housing	SC
Housing Dimensions	9.5" x 1.7" x 1.18"
Dimensions (Height x Width x Depth)	NaN x NaN x NaN mm (NaN x NaN x NaN in)

• Approval and Application

EMC Immunity Standard	FCC Non-Consumer
-----------------------	------------------

PHILIPS

Optanium T8 Programmed Start

Approval Marks CSA certificate
UL certificate
CEE Rated
RoHS Compliant

Hum And Noise Level A

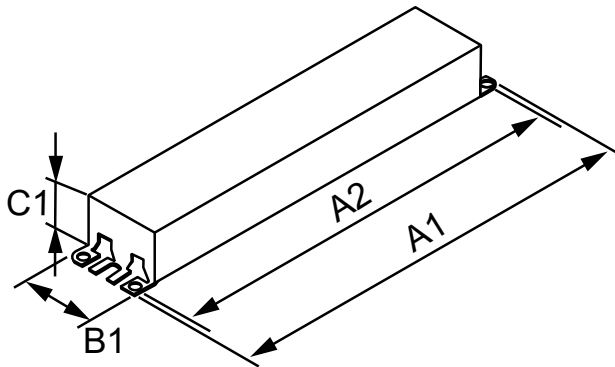
UL Recognized No

EAN/UPC - Product 781087098783
Order code 913701228102
Numerator - Quantity Per Pack 1
Numerator - Packs per outer box 20
Material Nr. (12NC) 913701228102
Net Weight (Piece) 531.000 g

• Product Data

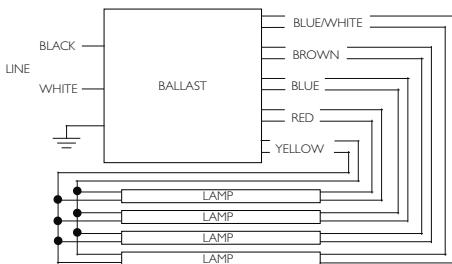
Order product name OPTANIUM GOP4PSP32SC35M

Dimensional drawing



ELE BALLAST (4) F32T8 347V

Product	A1	A2	B1	C1
OPTANIUM GOP4PSP32SC35M	9.5 in	8.90 in	1.7 in	1.18 in



© 2016 Philips Lighting Holding B.V.
All rights reserved.

Specifications are subject to change without notice. Trademarks are the property of Koninklijke Philips N.V. (Royal Philips) or their respective owners.

www.philips.com/lighting

2016, February 1
data subject to change