



# A-Shape LED

11A19/END/2700 DIM 6/1

Philips A-shape Dimmable LED lamps are the smart LED alternative to standard incandescents. The unique lamp design provides omi-directional light with excellent dimming performance.

## Product data

### • General Characteristics

Cap-Base	E26
Bulb	A19
Rated Avg. Life (Hours)	25000 hr

### • Light Technical Characteristics

Color Code	WW
Color Designation	Warm White
Beam Description	- [-]
CRI	81
Color Temp. (Kelvin)	2700 K [CCT 2700K]
Rated Luminous Flux	800 Lm

### • Electrical Characteristics

Wattage	11 W
Wattage Technical	11 W
Voltage	120 V
Line Frequency	60 Hz
Power Factor	0.7 -
Lamp Current mA	110 mA
Dimmable	Yes

Wattage Equivalent 60 W

### • Measuring Conditions

Switching cycle 50000x

### • Product Dimensions

Overall Length C 106.8 mm  
Diameter D 31.8 mm

### • Product Data

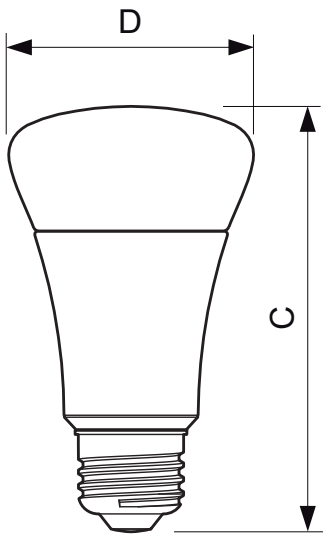
Product number 423491  
Full product name 11A19/END/2700 DIM 6/1  
Short product name 11A19/END/2700 DIM 6/1  
Pieces per Sku 1  
eop\_pck\_cfg 6  
Skus/Case 6  
Bar code on pack 46677423490  
Bar code on case 50046677423495  
Logistics code(s) 929000226804  
eop\_net\_weight\_pp 0.134 kg

## Dimensional drawing



# PHILIPS

## Dimensional drawing



E26

### 11A19/END/2700 DIM 6/1

Product	C (Norm)	C1 (Max)	D (Norm)	D1 (Norm)
LED 11W E26 2700K 120V A19	106.8	-	31.8	-



© 2013 Koninklijke Philips N.V. (Royal Philips)  
All rights reserved.

Specifications are subject to change without notice. Trademarks are the property of Koninklijke Philips N.V. (Royal Philips) or their respective owners.

[www.philips.com/lighting](http://www.philips.com/lighting)

2013, August 3  
data subject to change