



A-Shape LED

8A19/END/2700 DIM 6/1

Philips A-shape Dimmable LED lamps are the smart LED alternative to standard incandescents. The unique lamp design provides omi-directional light with excellent dimming performance.

Product data

• General Characteristics

Cap-Base	E26
Bulb	A21
Rated Avg. Life (Hours)	25000 hr

• Light Technical Characteristics

Color Code	WW
Color Designation	Warm White
Beam Description	- [-]
Correlated Color Temperature	2700 K
CRI	81
Color Temp. (Kelvin)	2700 K [CCT 2700K]
Rated Luminous Flux	470 Lm

• Electrical Characteristics

Wattage	8 W
Wattage Technical	8 W
Voltage	120 V
Line Frequency	60 Hz
Power Factor	0.7 -
Lamp Current mA	85 mA

Dimmable	Yes
Wattage Equivalent	40 W

• Measuring Conditions

Switching cycle	50000x
-----------------	--------

• Product Dimensions

Overall Length C	106.8 mm
Diameter D	31.8 mm

• Product Data

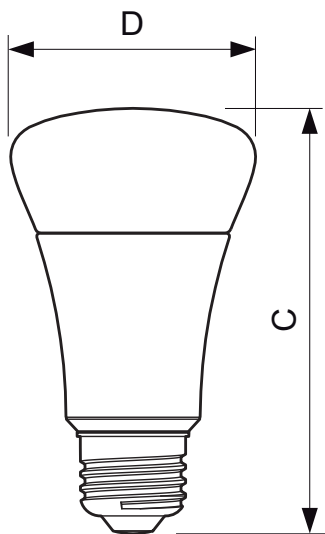
Product number	423483
Full product name	8A19/END/2700 DIM 6/1
Short product name	8A19/END/2700 DIM 6/1
Pieces per Sku	1
eop_pck_cfg	6
Skus/Case	6
Bar code on pack	46677423483
Bar code on case	50046677423488
Logistics code(s)	929000226704
eop_net_weight_pp	0.134 kg

Dimensional drawing



PHILIPS

Dimensional drawing



E26

8A19/END/2700 DIM 6/1

Product	C (Norm)	C1 (Max)	D (Norm)	D1 (Norm)
LED 8W E26 2700K 120V A21	106.8	-	31.8	-



© 2013 Koninklijke Philips N.V. (Royal Philips)
All rights reserved.

Specifications are subject to change without notice. Trademarks are the property of Koninklijke Philips N.V. (Royal Philips) or their respective owners.

www.philips.com/lighting

2013, June 21
data subject to change