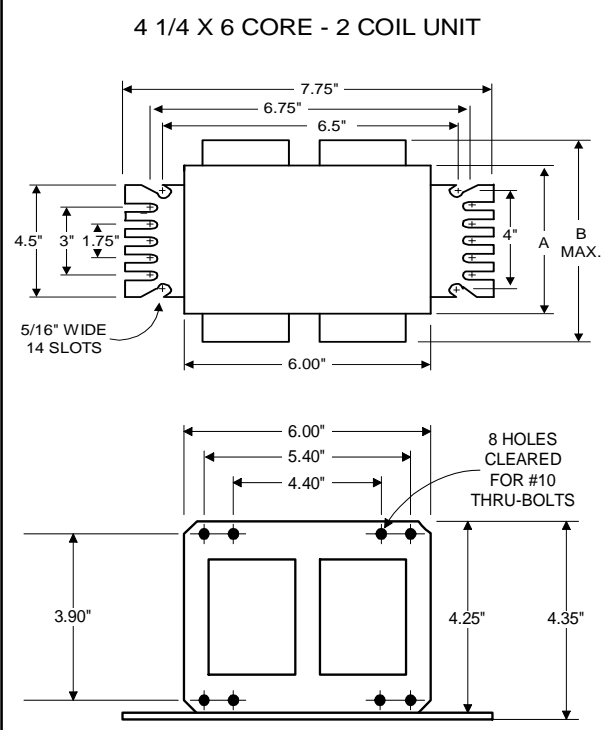




High Pressure
Sodium
Lamp Ballast

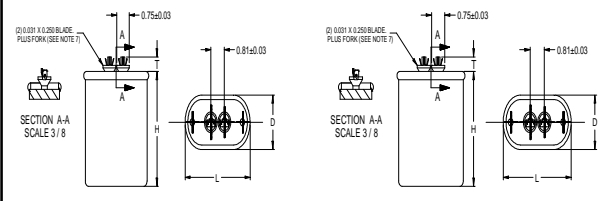
Catalog Number 71A8793
For 1000W S52
60 Hz CWA
Status: Active

DIMENSIONS AND DATA

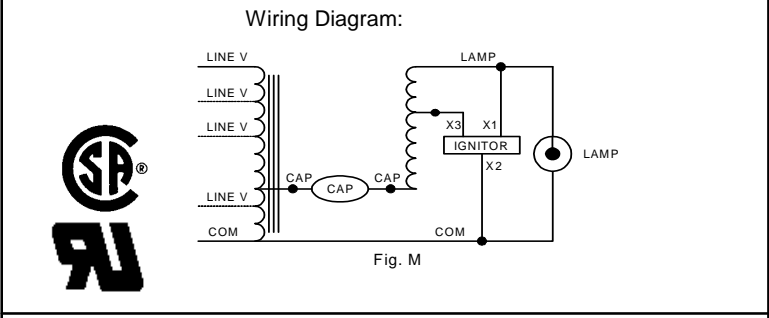


	120	208	240	277
INPUT VOLTS				
CIRCUIT TYPE	CWA			
POWER FACTOR (min)	90%			
REGULATION	±10%			
Line Volts	WITHIN TRAPEZOID			
Lamp Watts				
LINE CURRENT (Amps)				
Operating.....	9.50	5.50	4.75	4.15
Open Circuit.....	4.80	2.70	2.40	2.20
Starting.....	6.40	3.80	3.20	2.80
UL TEMPERATURE RATINGS				
Insulation Class	H(180°C)			
Coil Temperature Code	1029			
MIN. AMBIENT STARTING TEMP.	-40F or -40C			
NOM. OPEN CIRCUIT VOLTAGE	441			
INPUT VOLTAGE AT LAMP DROPOUT.....	90	156	180	208
INPUT WATTS	1100			
RECOMMENDED FUSE (Amps).....	25	15	10	10
CORE and COIL				
Dimension (A)	3.75			
Dimension (B)	5.75			
Weight (lbs.)	28			
Lead Lengths	12"			
CAPACITOR REQUIREMENT				
Microfarads	26.0			
Volts (min.)	525			
Fault Current Withstand (amps)				
60 Hz TEST PROCEDURES (Refer to Advance Test Procedure for HID Ballasts - Form 1270)				
High Potential Test (Volts)				
1 minute	2000			
2 seconds	2500			
Open Circuit Voltage Test (Volts)	395-485			
Short-Circuit Current Test (Amps)				
Secondary Current	6.40-7.80			
Input Current.....	5.20-7.80	3.00-4.50	2.60-3.80	2.25-3.40

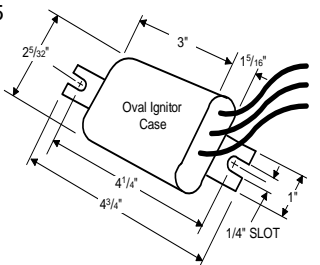
Capacitor: RW1626020 MD2602-100



Capacitance:	26	Capacitance:	26
Dia/Oval Dim:	1.75	Dia/Oval Dim:	1.75
Height:	4.25	Height:	5.3
Temp Rating:	90°C	Temp Rating:	90°C



Ignitor: LI571-H5



Ballast to Lamp Distance (BTL) = 15 feet
Temp Rating: 105°C

Ordering Information	
Order Suffix	Description
500.	Ballast with Ignitor and Oil Filled Capacitor

Data is based upon tests performed by Advance Transformer in a controlled environment and representative of relative performance. Actual performance can vary depending on operating conditions. Specifications are subject to change without notice.