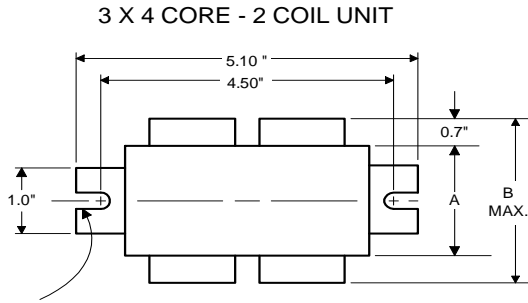




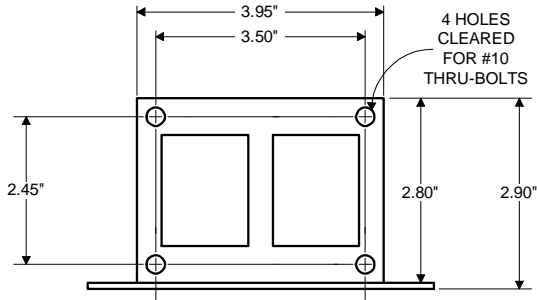
Metal  
Halide  
Lamp Ballast

Catalog Number 71A53N0  
For 100W M90/M140  
50 Hz HX-HPF  
Status: Active

**DIMENSIONS AND DATA**

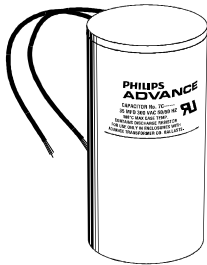


0.25" WIDE  
2 SLOTS



INPUT VOLTS	120	220	240		
CIRCUIT TYPE	HX-HPF				
POWER FACTOR (min)	90%				
REGULATION					
Line Volts	±5%				
Lamp Watts	±12%				
LINE CURRENT (Amps)					
Operating.....	1.15	0.65	0.60		
Open Circuit.....	2.20	1.20	1.10		
Starting.....	1.30	0.70	0.65		
UL TEMPERATURE RATINGS					
Insulation Class	H(180°C)				
Coil Temperature Code	1029				
	A	A	A		
MIN. AMBIENT STARTING TEMP.	-20°F or -30°C				
NOM. OPEN CIRCUIT VOLTAGE	266				
INPUT VOLTAGE AT LAMP DROPOUT.....	85	155	170		
INPUT WATTS	129				
RECOMMENDED FUSE (Amps).....	6	3	3		
CORE and COIL					
Dimension (A)	1.90				
Dimension (B)	3.20				
Weight (lbs.)	6				
Lead Lengths	12"				
CAPACITOR REQUIREMENT					
Microfarads	17.5				
Volts (min.)	240				
Fault Current Withstand (amps)					
60 Hz TEST PROCEDURES (Refer to Advance Test Procedure for HID Ballasts - Form 1270)					
High Potential Test (Volts)					
1 minute	2000				
2 seconds	2500				
Open Circuit Voltage Test (Volts)	240-295				
Short-Circuit Current Test (Amps)					
Secondary Current	1.00-1.25				
Input Current.....	0.32-0.52	0.15-0.30	0.16-0.25	-	-

Capacitor: 7C175M30RA



Capacitance: 17.5  
Dia/Oval Dim: 1.65  
Height: 3.7  
Temp Rating: 105°C

Wiring Diagram:

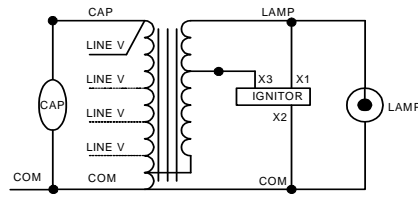


Fig. K

Ordering Information

Order Suffix	Description

Ignitor: LI533-H4



Ballast to Lamp Distance (BTL) = 15 feet  
Temp Rating: 105°C

Data is based upon tests performed by Advance Transformer in a controlled environment and representative of relative performance. Actual performance can vary depending on operating conditions. Specifications are subject to change without notice.

**ADVANCE TRANSFORMER CO.**

O'HARE INTERNATIONAL CENTER · 10275 WEST HIGGINS ROAD · ROSEMONT, IL 60018  
Customer Support/Technical Service: Phone: 800-372-3331 · Fax: 847-768-7768  
Corporate Offices: Phone: 800-322-2086

07/31/09