



PAR16 GU10 LED with AirFlux Technology

6PAR16/END/F25 3000 DIM 10/1

Philips PAR16 Dimmable LED Lamp with AirFlux Technology provides bright light in a sleek, lightweight design and is ideal for accenting spaces that require a GU10 base.

Product data

• General Characteristics

Cap-Base	GU10
Bulb	PAR16 [PAR 2inch]
Bulb Finish	White
Rated Avg. Life (Hours)	25000 hr

• Light Technical Characteristics

Color Code	WH
Color Designation	White
Beam Angle	25 D
Beam Description	25D [Medium beam]
Correlated Color Temperature	3000 K
Approx. MBCP	1050 cd
Color Temp. (Kelvin)	3000 K [CCT 3000K]
Rated Luminous Flux	300 Lm

• Electrical Characteristics

Wattage	6 W
Wattage Technical	6 W
Voltage	120 V
Line Frequency	60 Hz
Lamp Current mA	66 mA

• Product Data

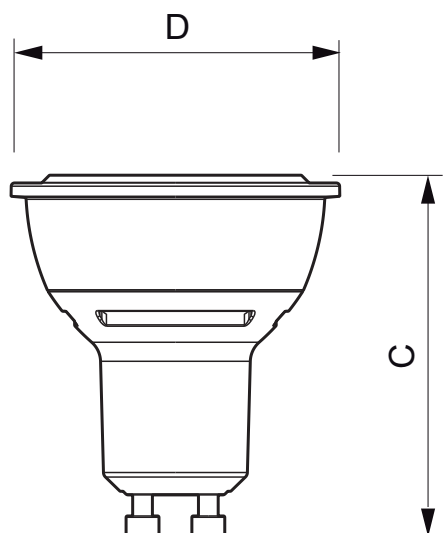
Product number	423509
Full product name	6PAR16/END/F25 3000 DIM 10/1
Short product name	6PAR16/END/F25 3000 DIM 10/1
Pieces per Sku	1
eop_pck_cfg	10
Skus/Case	10
Bar code on pack	46677423506
Bar code on case	50046677423501
Logistics code(s)	929000224204
eop_net_weight_pp	0.055 kg

Dimensional drawing



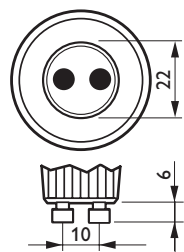
PHILIPS

Dimensional drawing



6PAR16/END/F25 3000 DIM 10/1

Product	C (Norm)	C1 (Max)	D (Norm)	D1 (Norm)
LED 6W GU10 WH 3000K 25D	-	-	-	-



GU10



© 2013 Koninklijke Philips N.V. (Royal Philips)
All rights reserved.

Specifications are subject to change without notice. Trademarks are the property of Koninklijke Philips N.V. (Royal Philips) or their respective owners.

www.philips.com/lighting

2013, August 15
data subject to change