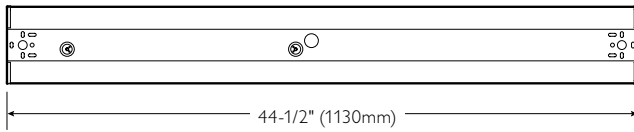
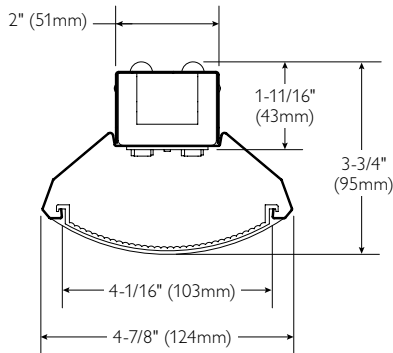




Job name	Catalog number
Type	Notes



Ordering information

Family	Length	Lens	Reflector	Lumens	Colour	Voltage	Driver	Options
LFR	4	FL						
Fluxstream Reflector	4' 4' length (Nominal)	FL Frosted linear lens	SLD Solid SLT Slotted PER Perforated	37 3700 lumens (Nominal)	40 4000K 35 3500K	U Universal 120-277v 3 347v	LAG LED driver DZT 0-10v dimming	Add suffix to catalog no.

Features

- Sleek and compact design
- Ribbed frost acrylic lens shields LEDs from direct view and evenly distributes light
- Delivers up to 3856 lm per 4' (nominal) length
- 3 Reflector options available – solid, slotted, perforated
- Up to 9% uplight with perforated reflector option
- Capable of providing similar light levels to 2-T5 (28W) or 1-T5HO (54W) fluorescent SV5 luminaires while using up to 33% less energy and significantly reducing power densities
- Long life LEDs provide 50,000 hours of maintenance free system life (L₈₀)
- Variety of mounting options for installation flexibility
- Easy installation
- Row mountable
- Available in 4' (nominal) lengths
- Dimming options available
- Fully enclosed wiring and LED diodes
- 80+ CRI and excellent colour consistency



Job name	Catalog number
Type	Notes

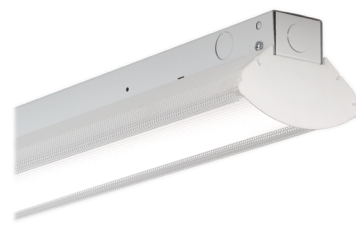
Reflector style options



Solid (SLD) side reflector.



Slotted (SLT) side reflector.



Perforated (PER) side reflector.

Specifications

Materials: Die-formed heavy gauge cold rolled steel

Finish: Baked white acrylic matte high reflectance paint finish

Shielding: Ribbed frosted acrylic lens

Electrical: LED boards and drivers are RoHS (Restriction of Hazardous Substances) compliant. 0-10V dimming available. For other dimming options, consult factory. Total system life rated at 50,000 hours (L₈₀). Maximum ambient temperature of 25°C when surface mounted or 30°C when suspended. Suitable for cold locations - minimum ambient temperature of -20°C. Predicted L₈₀ lifetime based on LED manufacturer's supplied LM-80 data and in-situ laboratory testing

Labels: cETLus listed. Suitable for damp locations.

Mounting options & Accessories

Stem and Canopy Sets: Suspend the luminaire 12", 18", 24", 36" or 48" from surface. Two per luminaire is recommended. Order catalogue number:

SV5F12 (12"), **SV5F18** (18"), **SV5F24** (24"), **SV5F36** (36"), **SV5F48** (48")

Chain Hanging Kit: Includes two 5' heavy duty link chains with sturdy "V" hook for fixture suspension: Order catalogue number: **EE9HC**

Aircraft Cable Kit: Power feed cable and canopy kit (adjustable 6" - 60") – order catalogue number: **SVCC60-UNV** (120/277V) or **SVCC60-347** (347V). Cable and canopy kit (adjustable 6" - 60") – order catalogue number: **SVC60**

Emergency options: Consult factory – remote mounted.

Options & Accessories

Electrical wiring options: Consult factory

Photometry – Solid (SLD) Reflector

Report number ¹ :	C12171
Catalog number:	LFR4FLSLD3740ULAG
Delivered lumens:	3630
Color:	4000K
Input watts:	40
Efficacy:	90.7 lm/w
Lamp:	LED
Luminaire:	FluxStream 4' fixture with solid reflector and 100% frost lens.
CIE Type:	Direct
Plane:	0-Deg. 90-Deg.
Spacing criteria:	1.2 1.2
Plane:	0-Deg. 90-Deg.
Luminous length:	4.0625 44.875

Candela distribution

Vertical Angle	Horizontal Angle			Zonal Lumens
	0°	45°	90°	
0	1351	1351	1351	130
5	1337	1356	1323	130
15	1271	1299	1272	363
25	1140	1183	1166	538
35	962	1019	1011	628
45	755	824	823	622
55	543	614	619	534
65	345	414	422	396
75	180	243	260	246
85	51	119	141	119
90	5	74	99	42
95	1	42	65	10
105	0	6	21	1
115	0	0	1	0
125	1	0	0	1
135	1	1	1	1
145	1	1	1	1
155	1	1	1	1
165	2	1	1	0
175	2	2	2	0
180	2	2	2	0

Coefficients of utilization

Ceiling	80%			50%			30%			
	70	50	30	50	30	10	50	30	10	
Wall	Zonal Cavity Method									
RC	Effective Floor Reflectance = 20%									
RW										
Room Cavity Ratio	1	109	104	100	97	94	91	93	91	88
	2	1	92	86	86	82	77	83	79	75
	3	92	82	74	77	71	66	74	69	65
	4	85	74	65	69	63	58	67	61	57
	5	78	66	57	62	55	50	60	54	49
	6	72	59	51	56	49	44	55	48	43
	7	66	53	45	51	43	38	49	43	38
	8	62	48	40	46	39	34	45	38	34
	9	57	44	36	42	35	30	41	35	30
	10	53	40	32	39	32	27	38	31	27

Zonal lumen summary*

Zone	Lumens	% Luminaire
0- 30	1031	28.39
0- 40	1658	45.68
0- 60	2814	77.52
0- 90	3574	98.46
40- 90	1916	52.78
60- 90	760	20.93
90-180	56	1.54
0-180	3630	100.00

*Total Efficiency

¹ Tested using absolute photometry as specified in LM79: IESNA Approved Method for the Electrical and Photometric Measurements of Solid-State Lighting Products.

Avg. Luminance (cd/m²)

Vertical Angle	Horizontal Angle		
	0°	45°	90°
45	9405.	10301.	10293.
55	8331.	9461.	9547.
65	7197.	8651.	8823.
75	6109.	8288.	8865.
85	5148.	12005.	14343.



Job name	Catalog number
Type	Notes

Photometry – Slotted (SLT) Reflector

Report number¹: C12170
 Catalog number: LFR4FLSLT3740ULAG
 Delivered lumens: 3743
 Color: 4000K
 Input watts: 40
 Efficacy: 93.6 lm/w
 Lamp: LED
 Luminaire: FluxStream 4' fixture with slotted reflector and 100% frost lens.
 CIE Type: Direct - Indirect
 Plane: 0-Deg. 90-Deg.
 Spacing criteria: 1.2 1.2
 Plane: 0-Deg. 90-Deg.
 Luminous length: 4.0625 44.875

Candela distribution

Vertical Angle	Horizontal Angle			Zonal Lumens
	0°	45°	90°	
0	1278	1278	1278	
5	1267	1285	1251	123
15	1204	1232	1203	344
25	1080	1123	1103	510
35	911	968	956	595
45	715	783	778	590
55	513	585	582	507
65	327	400	410	381
75	171	244	262	245
85	49	164	201	142
90	4	61	75	
95	9	37	38	36
105	22	38	40	41
115	34	57	40	46
125	42	64	60	50
135	48	60	70	47
145	51	53	67	37
155	52	64	65	28
165	51	60	64	17
175	51	52	52	5
180	51	51	51	

Coefficients of utilization

Ceiling	80%			50%			30%			
	70	50	30	50	30	10	50	30	10	
Wall	Zonal Cavity Method									
RC	Effective Floor Reflectance = 20%									
RW										
Room Cavity Ratio	1	107	102	98	93	90	88	88	86	83
	2	98	90	84	83	78	74	78	75	71
	3	90	80	72	74	68	63	70	65	61
	4	83	72	64	66	60	55	63	58	53
	5	77	64	56	60	53	48	57	51	46
	6	71	58	49	54	47	42	51	45	41
	7	65	52	44	49	41	36	46	40	35
	8	60	47	39	44	37	32	42	36	32
	9	56	43	35	40	33	29	39	32	28
	10	52	39	31	37	30	26	35	29	25

Zonal lumen summary*

Zone	Lumens	% Luminaire
0-30	977	26.09
0-40	1571	41.98
0-60	2668	71.28
0-90	3437	91.81
40-90	1865	49.83
60-90	768	20.53
90-180	307	8.19
0-180	3743	100.00

*Total Efficiency

¹ Tested using absolute photometry as specified in LM79: IESNA Approved Method for the Electrical and Photometric Measurements of Solid-State Lighting Products.

Avg. Luminance (cd/m²)

Vertical Angle	Horizontal Angle		
	0°	45°	90°
45	8898.	9784.	9721.
55	7883.	9012.	8967.
65	6822.	8359.	8571.
75	5822.	8307.	8937.
85	4986.	16650.	20378.

Photometry – Perforated (PER) Reflector

Report number¹: C12169
 Catalog number: LFR4FLPER3740ULAG
 Delivered lumens: 3856
 Color: 4000K
 Input watts: 40.8
 Efficacy: 94.5 lm/w
 Lamp: LED
 Luminaire: FluxStream 4' fixture with perforated reflector and 100% frost lens.
 CIE Type: Direct - Indirect
 Plane: 0-Deg. 90-Deg.
 Spacing criteria: 1.2 1.2
 Plane: 0-Deg. 90-Deg.
 Luminous length: 4.0625 44.875

Candela distribution

Vertical Angle	Horizontal Angle			Zonal Lumens
	0°	45°	90°	
0	1290	1290	1290	
5	1278	1297	1262	124
15	1214	1242	1212	346
25	1089	1130	1109	513
35	917	971	961	598
45	719	785	782	592
55	514	587	590	509
65	325	400	563	411
75	168	296	323	280
85	47	138	179	136
90	3	74	105	
95	3	46	71	48
105	8	50	63	46
115	19	60	63	51
125	35	67	72	54
135	49	67	78	51
145	58	65	77	42
155	62	68	74	31
165	64	68	69	19
175	65	66	63	6
180	64	64	64	

Coefficients of utilization

Ceiling	80%			50%			30%			
	70	50	30	50	30	10	50	30	10	
Wall	Zonal Cavity Method									
RC	Effective Floor Reflectance = 20%									
RW										
Room Cavity Ratio	1	107	102	98	93	90	87	87	85	83
	2	98	90	83	82	77	73	78	74	70
	3	89	79	72	73	67	62	69	64	60
	4	83	71	63	66	59	54	62	57	52
	5	76	64	55	59	52	47	56	50	46
	6	70	57	49	53	46	41	51	45	40
	7	65	51	43	48	41	36	46	39	35
	8	60	47	39	44	37	32	42	36	31
	9	56	43	35	40	33	28	38	32	27
	10	52	39	31	36	30	25	35	29	24

Zonal lumen summary*

Zone	Lumens	% Luminaire
0-30	984	25.51
0-40	1581	41.01
0-60	2682	69.56
0-90	3508	90.98
40-90	1927	49.98
60-90	826	21.43
90-180	348	9.02
0-180	3856	100.00

*Total Efficiency

¹ Tested using absolute photometry as specified in LM79: IESNA Approved Method for the Electrical and Photometric Measurements of Solid-State Lighting Products.

Avg. Luminance (cd/m²)

Vertical Angle	Horizontal Angle		
	0°	45°	90°
45	8951.	9809.	9778.
55	7898.	9041.	9088.
65	6779.	8369.	11774.
75	5701.	10068.	11025.
85	4774.	13995.	18131.



Philips CFI
 3015 Louis-Amos, Lachine, Québec, H8T 1C4
 e. canlyte-info@philips.com
 t: (514) 636-0670
 w: www.canlyte.com

FluxStream_LFR_b January 17, 2013

Specifications are subject to change without notice.
 © Koninklijke Philips Electronics N.V., 2013. All rights reserved.

