

LytePro32

Architectural LED Wall Sconce

Rated System Life (LED life per L70)

Driver and LED expected life are rated to 60,000 hrs @ 25°C. Designed and tested according to LM79 and LM80 standards.

Construction

Die-cast aluminum housing with corrosion resistant hardware.

Thermal Management

Integral heat sink ensures cool operation of LEDs and Driver.

LED and Board Array

Aluminum backed printed circuit board with 4000K Neutral white LEDs. Typical 70 CRI. RoHS compliant. Global Philips LED platform featuring a future proof design that simplifies light engine replacement at the end of life or to enjoy future efficacy gains any time in the future.

Driver

700mA Electronic LED driver accepts 120-277V or 347-480V, 50/60Hz. Constant current.

LED Optical System

Type III distribution meets IES Full Cutoff criteria. LED's are protected by a tempered flat glass lens. Provides 5700 lumens, consumes 71 watts, and 80 lumens per watt.

Mounting

Universal mounting plate features integral splice chamber and built in bubble level. Adapts onto a standard electrical junction box.

Finish

Textured finish options available: Titanium, White or Bronze.

Listings

ETL/cETLus listed to the UL 1598 standard, suitable for Wet Locations. Temperature range: -30°C to 40°. Lytepro32 is DLC certified. Not suitable for indirect orientation (downward facing lens only).

Warranty

Mechanical, finish, and LED engine & components covered by a limited 5 Year Warranty.

Weight

11 lbs, 5 kgs

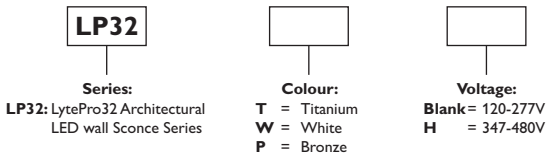
Accessories

P105A 120V, field installed button type photocontrol

P105M 277V, field installed button type photocontrol

Ordering information

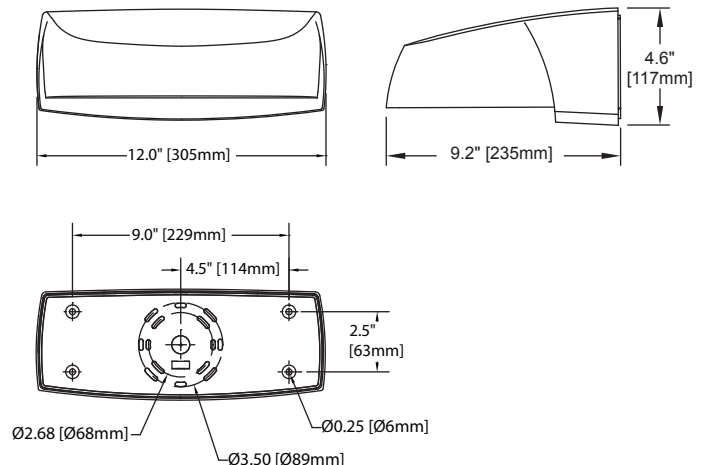
Explanation of catalog number: Example: LP32T-H



Provides 5,700 lumens



Dimensions



Job Information

Type:

Job Name:

Cat. No.:

Lamp(s):

Notes:

