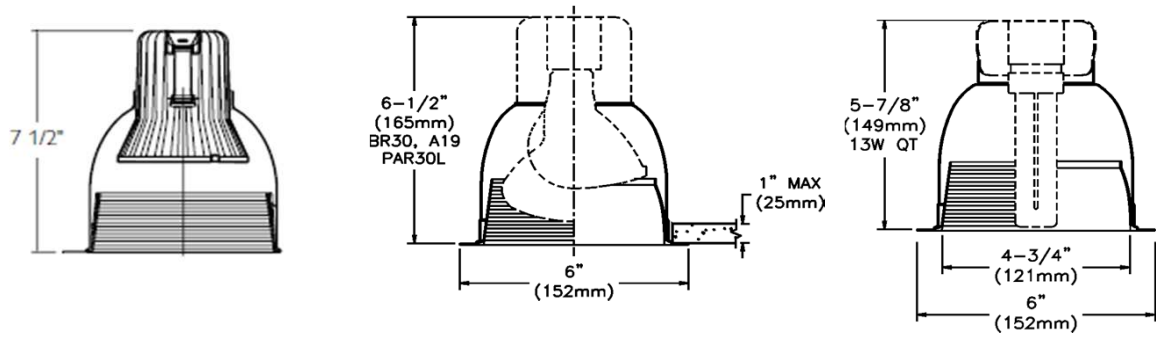


5-1/4" Aperture Basic Baffle and Specular Cone  
Ceiling Opening: 5-1/4" (130mm)



Complete fixture consists of Reflector Trim & Frame-in Kit. Select each separately

Reflector Trim	Frame-in Kit	Lamp	
<b>1076</b> Black	Uniframe Non-Dim	<b>1001LED09N271-CDN</b> 900 lms, 2700K	
	Uniframe Non-Dim	<b>1001LED09N271-347CDN</b> 900 lms, 2700K	
<b>1076WH</b> White	Uniframe Dimming : 0-10V	<b>1001LED09N27D1-CDN</b> 900 lms, 2700K	
	Uniframe Non-Dim	<b>1001LED09N351-CDN</b> 900 lms, 3500K	
	Uniframe Non-Dim	<b>1001LED09N351-347CDN</b> 900 lms, 3500K	
	Uniframe Dimming : 0-10V	<b>1001LED09N35D1-CDN</b> 900 lms, 3500K	
<b>1076CH</b> Specular Chrome	Non IC V Frame	<b>1002</b> 60W A19, 75W PAR30L, 75W BR30	
	Remodeler Ring	<b>1003RS</b> 60W A19, 75W PAR30L, 85W BR30	
	IC Frame	<b>1000IC</b> 75W PAR30, 65W BR30, 40W A19	
	INC	Lytening Frame Non-IC	<b>1004ICN</b> 50W PAR30, 65W BR30, 40W A19
		Lytening Frame IC	<b>1004ICN</b> 65W BR30, 50W PAR30
		Lytening Remodeler Non-IC	<b>1004ICRS</b> 50W PAR30, 65W BR30, 40W A19
		Lytening Remodeler IC	<b>1004ICRS</b> 65W BR30, 50W PAR30
	Lytening AirSeal Frame ICX	<b>1004ICXN</b> 75W PAR30L, 65W BR30, 40W A19	
	CFL	Uniframe	<b>1001F13U</b> 1-13 QT/TTT
		Uniframe	<b>1001F13-347</b> 1-13 QT/TTT
Uniframe		<b>1001F18U</b> 1-18 TTT	
Uniframe		<b>1001F18-347</b> 1-18 TTT	
Remodeler Ring		<b>1001FR18U</b> 1-18 TTT	
Remodeler Ring		<b>1001FR18-347</b> 1-18 TTT	
Lytening Frame IC		<b>1004F13ESN</b> 1-13 QT/TTT	
Lytening Frame IC		<b>1004F18ESN</b> 1-18 TTT	
Lytening Frame IC		<b>1004F26ESN</b> 1-26 TTT	
Lytening Remodeler IC		<b>1004F13ESR</b> 1-13 QT/TTT	
Lytening Remodeler IC	<b>1004F18ESR</b> 1-18 TTT		
Lytening Remodeler IC	<b>1004F26ESR</b> 1-26 TTT		
Lytening AirSeal Frame ICX	<b>1001F13ICUN</b> 1-13 QT/TTT		
Lytening AirSeal Frame ICX	<b>1001F18ICUN</b> 1-18 TTT		

## Features

**Reflector:** Hydroformed aluminum, .032" thick ; non-yellowing reflective white ; white trim flange.  
**Step Baffle:** Molded high temperature phenolic with stepped conical surface for low brightness, black or white finish.  
**Cone:** Hydroformed aluminum, .040" thick. Specular finish.

## Frame-in Kit

See Frame-In Kit specification sheets for more details.

## Finish

All painted finishes are baked powder or enamel.

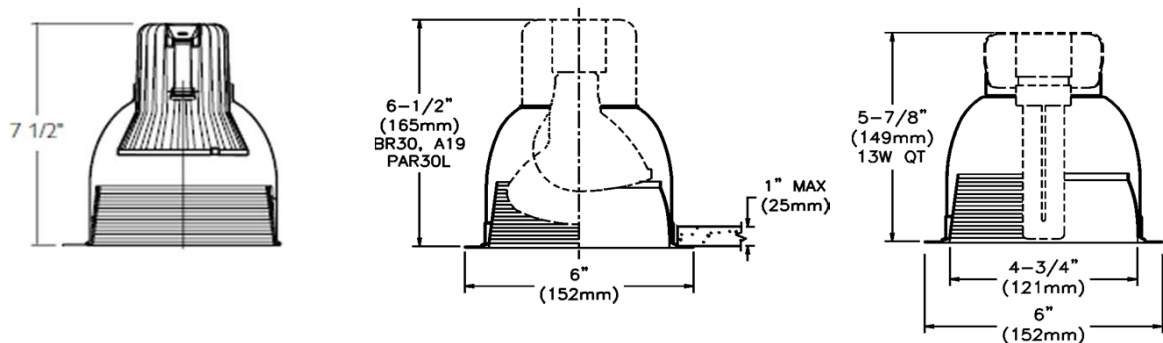
## Markings

cULus listed, suitable for damp locations.

## Accessories

1967B 2 in (51mm). Thick Ceiling Adaptor.

Job Information	Type:
Job Name:	
Cat. No.:	
Lamp(s):	
Notes:	



Le luminaire complet comprend la garniture et le cadre de montage : choisir chacun séparément.

Garniture	Cadre de montage	Lampe
<b>1076</b> Noir	Cadre Uniframe Non-Dim	<b>1001LED09N271-CDN</b> 900 lms, 2700K
	Cadre Uniframe Non-Dim	<b>1001LED09N271-347CDN</b> 900 lms, 2700K
	Cadre Uniframe Dim 0-10V	<b>1001LED09N27D1-CDN</b> 900 lms, 2700K
<b>1076WH</b> Blanc	Cadre Uniframe Non-Dim	<b>1001LED09N351-CDN</b> 900 lms, 3500K
	Cadre Uniframe Non-Dim	<b>1001LED09N351-347CDN</b> 900 lms, 3500K
	Cadre Uniframe Dim 0-10V	<b>1001LED09N35D1-CDN</b> 900 lms, 3500K
<b>1076CH</b> Chrome spéculaire	Cadre V Non-IC	<b>1002</b> 60W A19, 75W PAR30L, 75W BR30
	Anneau Rénovation Non-IC	<b>1003RS</b> 60W A19, 75W PAR30L, 85W BR30
	Cadre IC	<b>1000IC</b> 75W PAR30, 65W BR30, 40W A19
	Cadre Lytening Non-IC	<b>1004ICN</b> 50W PAR30, 65W BR30, 40W A19
	Cadre Lytening IC	<b>1004ICN</b> 65W BR30, 50W PAR30
	Lytening Rénovation Non-IC	<b>1004ICRS</b> 50W PAR30, 65W BR30, 40W A19
	Lytening Rénovation IC	<b>1004ICRS</b> 65W BR30, 50W PAR30
	Cadre Lytening ICX AirSeal®	<b>1004ICXN</b> 75W PAR30L, 65W BR30, 40W A19
	Cadre Uniframe	<b>1001F13U</b> 1-13 QT/TTT
	Cadre Uniframe	<b>1001F13-347</b> 1-13 QT/TTT
	Cadre Uniframe	<b>1001F18U</b> 1-18 TTT
	Cadre Uniframe	<b>1001F18-347</b> 1-18 TTT
	Anneau Rénovation Non-IC	<b>1001FR18U</b> 1-18 TTT
	Anneau Rénovation Non-IC	<b>1001FR18-347</b> 1-18 TTT
	Cadre Lytening IC	<b>1004F13ESN</b> 1-13 QT/TTT
	Cadre Lytening IC	<b>1004F18ESN</b> 1-18 TTT
	Cadre Lytening IC	<b>1004F26ESN</b> 1-26 TTT
	Lytening Rénovation IC	<b>1004F13ESR</b> 1-13 QT/TTT
	Lytening Rénovation IC	<b>1004F18ESR</b> 1-18 TTT
	Lytening Rénovation IC	<b>1004F26ESR</b> 1-26 TTT
	Cadre Lytening ICX AirSeal®	<b>1001F13ICUN</b> 1-13 QT/TTT
	Cadre Lytening ICX AirSeal®	<b>1001F18ICUN</b> 1-18 TTT

### Caractéristiques

**Réflecteur** : aluminium hydroformé, .032 po. d'épaisseur ; fini blanc ne jaunissant pas ; bordure de garniture fini blanc.  
**Déflecteur à rainures** : phénolique moulé à haute température avec surface conique à faible brillance, fini noir ou blanc.  
**Cône** : aluminium hydroformé .040 po. d'épaisseur. Fini spéculaire.

### Cadre de Montage

Pour les caractéristiques des cadres de montage, voir les fiches techniques appropriées.

### Fini

Tous les finis peints sont en poudre ou en émail cuit.  
 cULus listed, suitable for damp locations.

### Marquage

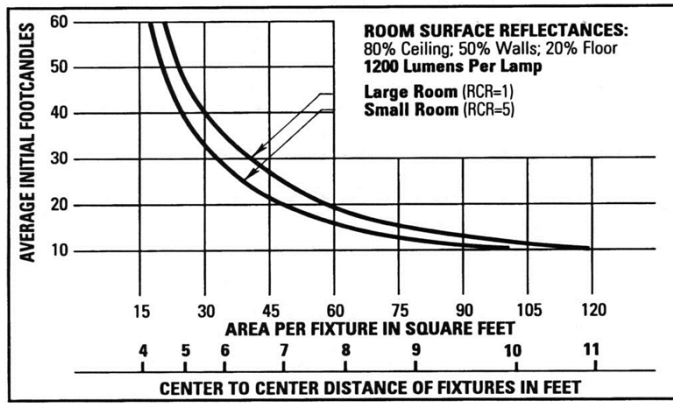
Homologué cULus ; convient aux endroits humides.

### Accessoires

1967B Kit de plafond de 2 po (51mm) max.

Information Projet	Type:
<b>Nom Projet:</b>	
<b>No. Cat.:</b>	
<b>Lampe(s):</b>	
<b>Notes:</b>	

**PHILIPS**  
**LIGHTOLIER®**



Use quick calculator chart to determine the spacing of 75 Watt PAR30 FL units (Black) for a desired level of illumination. Conversion Factors: 75W PAR30 FL, White, F.C. x 1.1.

**SPACING RATIO = 0.7**

**CERTIFIED TEST REPORT NO. 1868**  
**COMPUTED BY LSI PROGRAM \*\*TEST-LITE\*\***  
**RECESSED LYTECASTER DOWNLIGHT**  
**4 5/8" DIA. APERTURE, BLACK STEP BAFFLE**  
**ONE 75W PAR30 FLOOD LAMP, LUMEN RATING = 1275 LMS.**

**CANDLEPOWER SUMMARY**

ANGLE	MEAN CP	LUMENS
0	2087	
5	2051	196
10	1972	
15	1721	463
20	1233	
25	643	303
30	293	
35	155	104
40	95	
45	54	40
50	15	
55	2	3
60	1	
65	1	1
70	1	
75	1	1
80	1	
85	1	1
90	1	

**ZONAL LUMENS AND PERCENTAGES**

ZONE	LUMENS	% LAMP	% LUMINAIRE
0-30	962	75.48	86.56
0-40	1066	83.63	95.90
0-60	1109	87.01	99.78
0-90	1111	87.20	100.00
40-90	45	3.57	4.10
60-90	2	.19	.22
90-180	0	.00	.00
0.-180	1111	87.20	100.00

DATE: AUGUST 3, 1988  
PREPARED FOR:  
LIGHTOLIER, SECAUCUS N.J.

**\*\* EFFICIENCY = 87.2% \*\***

TESTED ACCORDING TO IES PROCEDURES. TEST DISTANCE EXCEEDS FIVE TIMES THE GREATEST LUMINOUS OPENING OF LUMINAIRE.

**COEFFICIENTS OF UTILIZATION**  
% EFFECTIVE CEILING CAVITY REFLECTANCE

ROOM CAVITY RATIO	% EFFECTIVE CEILING CAVITY REFLECTANCE															
	80		70		50		30		10		0					
	50	30	10	50	30	10	50	30	10	50	30	10	0			
1	.99	.97	.96	.97	.95	.94	.93	.92	.91	.90	.89	.88	.87	.87	.86	.85
2	.94	.92	.89	.93	.90	.89	.90	.88	.87	.88	.86	.85	.85	.84	.83	.81
3	.90	.87	.85	.89	.87	.84	.87	.85	.83	.85	.83	.82	.83	.82	.81	.80
4	.87	.84	.81	.86	.83	.81	.84	.82	.80	.83	.81	.79	.81	.79	.78	.77
5	.84	.80	.77	.83	.79	.77	.81	.79	.76	.80	.78	.76	.79	.77	.75	.74
6	.81	.77	.75	.80	.77	.74	.79	.76	.74	.78	.75	.74	.77	.75	.73	.72
7	.78	.74	.72	.77	.74	.71	.76	.73	.71	.75	.73	.71	.75	.72	.70	.69
8	.75	.71	.69	.74	.71	.69	.74	.71	.69	.73	.70	.68	.72	.70	.68	.67
9	.72	.69	.66	.72	.69	.66	.71	.68	.66	.71	.68	.66	.70	.67	.66	.66
10	.70	.67	.64	.70	.67	.64	.69	.66	.64	.69	.66	.64	.68	.65	.63	.63

20% FLOOR CAVITY REFLECTANCE

Conversion Factor: 75W PAR30 FL; White, C.U. x 1.1 65W BR30 FL; Black, C.U. x .75; White, C.U. x 1.0.



**Canlyte** [www.canlyte.com](http://www.canlyte.com)  
3015 Louis-Amos, Lachine, Québec H8T 1C4  
(514) 636-0670 • Fax (514) 636-0460

Spécifications are subject to charges without notice.  
© Koninklijke Philips Electronics N.V., 2010. All rights reserved.

